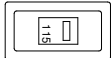
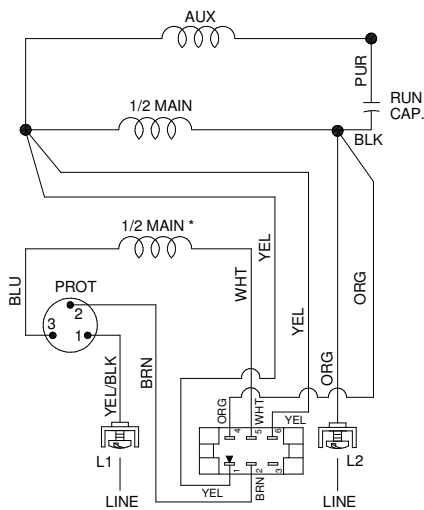


VOLTAGE CHANGE SWITCH:
MUST BE MOUNTED IN ORIENTATION
EXACTLY AS SHOWN

CONNECTION SHOWN FOR 230V;
TO CHANGE TO 115V, SLIDE SWITCH TO
RIGHT AS PICTURED.



TO SHOW "115" NUMBER



ROTATION: CW LEAD END

K63, 2P, DUAL VOLT, WITH VOLTAGE CHANGE SWITCH, NON-REV



REVISION DESCRIPTION FOR: C8396-15	SCALE: NONE	UNITS: IN	TITLE: DIAGRAM OF CONNECTIONS	NIDEC MOTOR CORPORATION
CHANGED MARK FROM EMERSON TO NIDEC.	TOLERANCES ON DIMENSIONS (UNLESS OTHERWISE SPECIFIED)		ISSUED BY: E. VICENCIO	APPROVED BY: J.J. SALAZAR
MATERIAL:	INCHES	MM	CODE: D04	REVISION DATE: 21 SEP-13
NIDEC CONFIDENTIAL NIDEC MOTOR CORPORATION 29-Sep-13		MUST BE COMPLIANT TO RoHS DIRECTIVE EU 2002/95/EC AND REGULATION EC 1907/2006 (REACH) AS AMENDED		REV: A
ANGLES X° ± 1°		DWG NO: 778738		SHEET NUMBER: 1 OF 2
				DWG SIZE: B