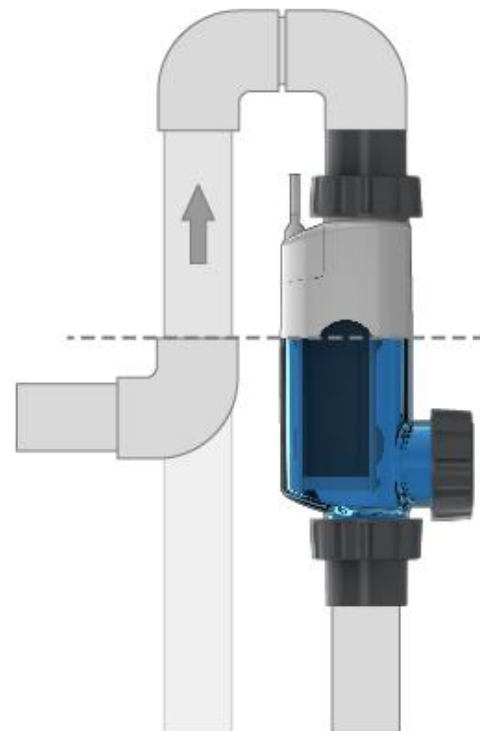


The CPX Cell can be installed in any manner as long as the top side of the housing is facing upwards as shown in all of the plumbing scenarios below:

The CPX Cell cannot be installed vertically, except in the plumbing installation shown below with the cable to the top and with a gas trap created immediately above the cell. This installation is not recommended and should only be implemented when there is no other option.

If this installation is required, the elbow must be installed below the dotted line shown in the illustration as the top half of the cell is where the water sensor is located.



GROUND

7.5.4 **Figure 5** - Cell Installation Options.