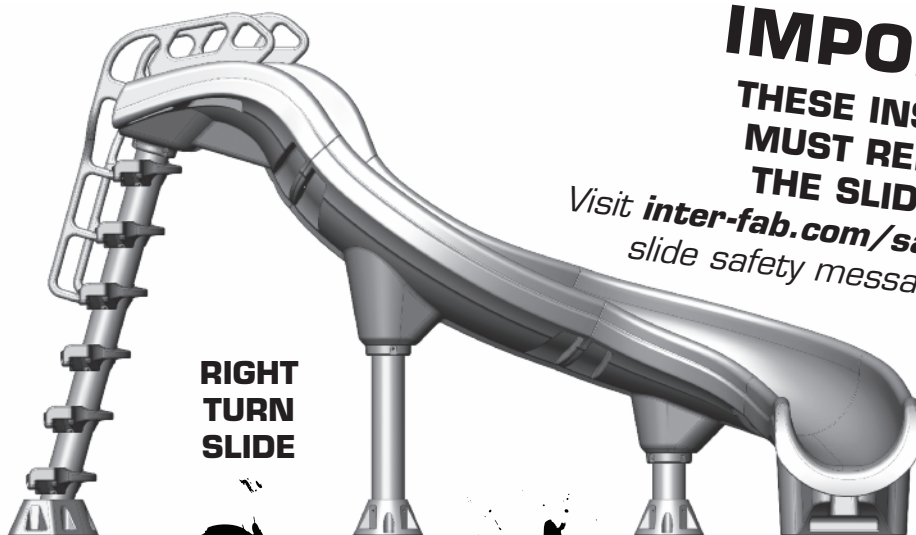




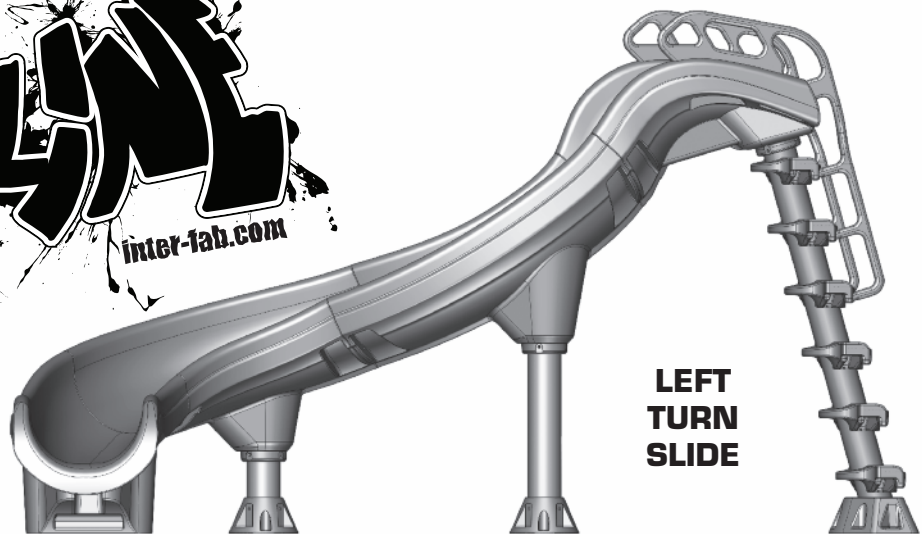
# ADRENALINE™ SLIDE

## Assembly & Installation Instructions



**IMPORTANT!**  
THESE INSTRUCTIONS  
MUST REMAIN WITH  
THE SLIDE OWNER!

Visit [inter-fab.com/safety](http://inter-fab.com/safety) to view important  
slide safety messages with your kids!



### **WARNING: IMPORTANT INSTALLATION INFORMATION**

The installation of this product should be done only by a licensed and professional installer. Installation should be done strictly in conformance with all local building codes, electrical codes and other building and safety laws and regulations. Among other things, that your installer should carefully analyze the need to bond the product to prevent an electrical hazard. Failure to properly install this product could result in a dangerous condition, including but not limited to electrical or structural hazards. Inter-Fab, Inc. disclaims all liability arising from the installation and the user assumes all risk associated with the installation.

**INTER-FAB, INC. 3050 S. ALVERNON WAY • TUCSON, AZ 85713**  
**520.790.7040 • 800.737.5386 • FAX 520.790.7127 • [inter-fab.com](http://inter-fab.com)**



**TABLE OF CONTENTS:**

Important Notices to the Installer.....2

Intended Use Instructions .....3

Water Safety Envelope.....4

Slide Placement & Footprint Diagrams - Left Turn .....5

Slide Placement & Footprint Diagrams - Right Turn.....6

Slide Components .....7

Step 1: Attach Ladder Entry Section .....8

Step 2: Attach Handrails to Ladder & Entry Section .....9-11

Step 3: Attach Foot Pedestals to Legs .....11

Step 4: Attach Legs to Flume.....12

Step 5: Assemble the Flume Sections.....12-13

Step 6: Attach Entry Section & Ladder to Flume .....13

Step 7: Position Slide Assembly on Deck.....14

Step 8: Anchor Slide to Deck.....15-16

Step 9: Align Flume Sections.....16

Step 10: Tighten Leg Receiver Through Bolts .....17

Step 11: Connect Water Supply System .....17

Step 12: Finishing Steps.....17

Final Inspection Check List .....17

Slide Care & Maintenance.....18

Paver Kit Information.....18-20

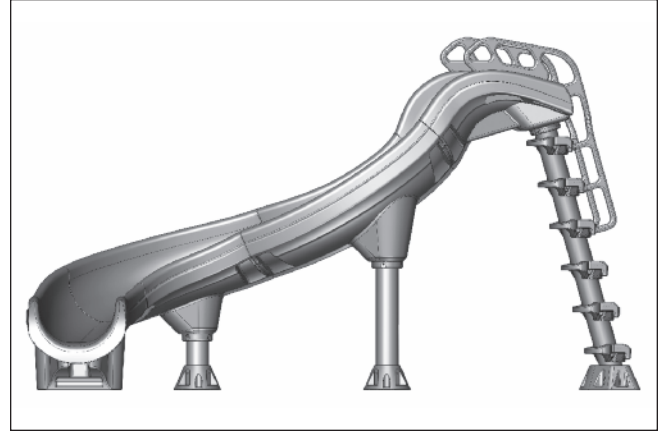
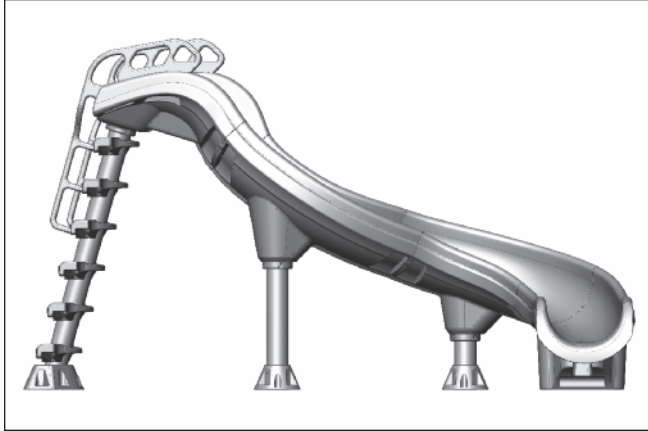
Exploded View of Adrenaline Slide.....21

Parts List (corresponds with exploded view).....22

Hardware Kit Information.....23

Notes.....24

Inter-Fab Limited Warranty.....25



## **IMPORTANT NOTICES TO THE INSTALLER**

**INTER-FAB HIGHLY RECOMMENDS THAT YOU READ THE ENTIRE INSTALLATION MANUAL BEFORE YOU ATTEMPT THE INSTALLATION OF THE ADRENALINE SLIDE.**

**YOU MUST USE THE PROVIDED ANTI-SEIZE ON ALL THE BOLTS AND ALL-THREADS OR THE NUTS WILL SEIZE.**

**INTER-FAB RECOMMENDS THAT A THREE-PERSON CREW ASSEMBLE THE ADRENALINE SLIDE.**

**INTER-FAB HIGHLY RECOMMENDS THAT YOU FOLLOW THE INSTALLATION SEQUENCE IN THIS MANUAL.**

**THE SLIDE POSITIONING GRAPHICS ON PAGES 5 AND 6 ARE FOR REFERENCE ONLY. INTER-FAB STRONGLY RECOMMENDS THAT ONLY THE FULLY AND CORRECTLY ASSEMBLED SLIDE BE USED TO LOCATE THE POSITIONS FOR THE ANCHOR BOLTS AS DESCRIBED ON PAGE 15.**

**THE LOWER AND UPPER FLUME SECTIONS ARE EACH SUPPLIED WITH A METAL FISH WIRE TO PULL THE 3/8" VINYL TUBING FROM THE EXIT SECTION UP TO THE WATER OUTLET PLUMBING IN THE ENTRY SECTION. BE CAREFUL NOT TO REMOVE THE FISH WIRE FROM BOTH FLUME SECTIONS DURING UNBOXING AND HANDLING.**

**INTER-FAB RECOMMENDS THAT THE ADRENALINE SLIDE BE INSTALLED ON A CONCRETE DECK WITH A MINIMUM THICKNESS OF 4".**

# INTENDED USE INSTRUCTIONS

1. Everyone who uses this slide must know, understand and follow these instructions
2. The ANSI/APSP/ICC-5 2011 standard for above ground pools prohibits the use of slides or diving boards on above ground pools or on ground pools.
3. **This slide is designed for residential inground pool use ONLY. This slide may not be used on any above ground or on ground pool. Such use of this slide may result in serious injury or death.**
4. This slide should never be installed on above ground pools, ponds, floating docks or platforms, boat docks or houseboats or any natural body of water.
5. This slide should never be installed on any commercial, public or semi-public pool.
6. Be familiar with the shape and depth of the pool before you slide. This slide should only be used with the proper water safety envelope, as described in Diagrams A, B & C on page 4 and in accordance with the slide positioning Diagrams D, E, F and G on pages 5 and 6.
7. Because the slide may only be used in water 4'6" deep or greater, all slide users must be able to swim in deep water.
8. Weight limit for this slide is 300 pounds, no slider weighing more than 300 pounds may use this slide.
9. The surface of the slide is very slippery when wet; **USE CAUTION** when entering the slide and when transitioning from standing to sitting.
10. Slide in a feet first sitting position **ONLY**.
11. **IMPORTANT: sliding headfirst is prohibited:** serious spinal injury resulting in paralysis or death can result.
12. Maintain adult supervision at all times.
13. Only one person at a time is allowed on the slide; this includes the ladder.
14. Be sure the water delivery system is on and lubricating the slide prior to use.
15. Collision with another swimmer or a diver can result in serious injury or death for one or both persons: Before sliding, always make sure that the path in front of the slide is free from any (including submerged) obstructions including other people or objects in the pool such as rafts, inner tubes etc. When a diving board is also present, make sure you do not use the slide while someone is on or using a diving board. Take turns.
16. No roughhousing or horseplay should be allowed on the slide at any time.
17. Do not stand, jump or dive from any part of the slide.
18. Do not slide on objects such as rafts or inner tubes. doing so greatly increases your risk of injury.
19. Do not slide through or at objects such as rafts or inner tubes, doing so greatly increases your risk of injury.
20. Do not use this slide if physically impaired or handicapped without your doctor's permission.
21. Do not use this slide with a history of heart conditions, seizures, back problems, fainting or fear of heights.
22. Do not use this slide if you are pregnant.
23. Do not drink alcohol and use this slide.
24. Don't take chances, inspect the slide at least once a year (see the slide inspection list on page 17, do not use the slide if any part becomes loose, damaged, weakened or broken. If necessary, before using the slide again, have it inspected and repaired by a competent professional familiar with pool slides.
25. Given that the Adrenaline is used in a swimming pool environment a certain amount of water and moisture should be expected to accumulate on the pool deck within the vicinity of the slide. This results not only from splashing from riders entering into the pool but also splashing from water runoff as it exits the slide. To minimize this, the rate of water flow to the slide can be reduced while in use and the slide water source should be turned off when the slide is not in use.

**WARNING: SERIOUS INJURY OR DEATH CAN RESULT FROM THE IMPROPER INSTALLATION OR USE OF THIS SLIDE.**



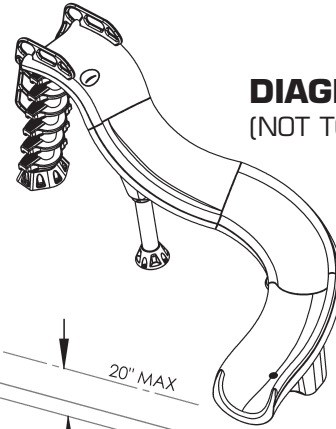
**When installed according to these instructions, this slide conforms to Consumer Product Safety Standard Guidelines.**

**ADRENALINE**

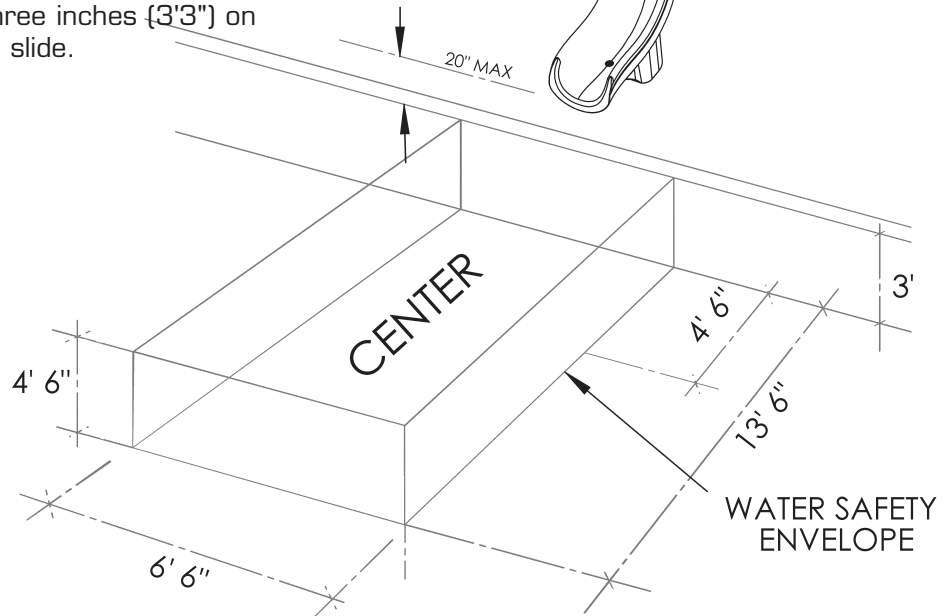
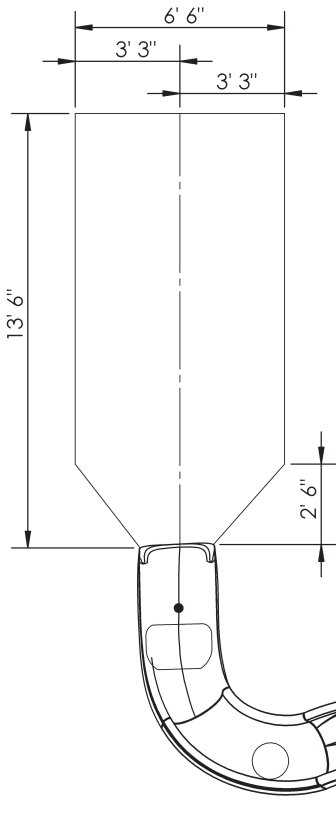
**WATER SAFETY ENVELOPE:**

A minimum water depth of three feet (3') under the exit of the slide which increases to a depth of four feet (4'6") at point A which is located four feet six inches (4'6") from the back wall of the pool. A minimum depth of four feet (4'6") must be maintained at a distance of nine feet (9') along the centerline of the slide from point A. The above described water depth profile shall extend a minimum of three feet three inches (3'3") on either side of the centerline of the slide.

(See Diagrams A, B & C)

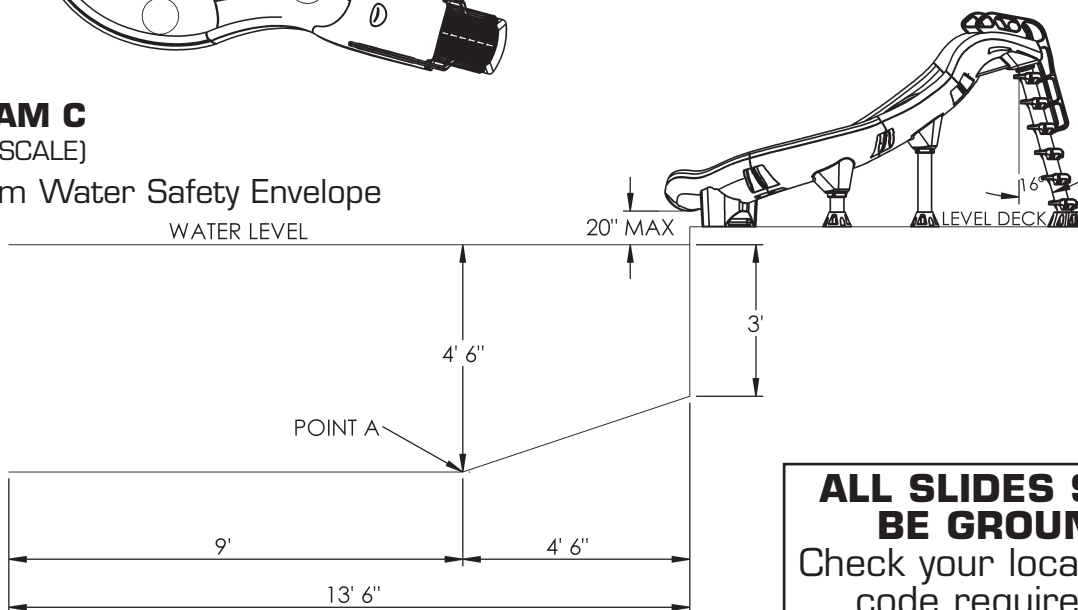


**DIAGRAM A**  
(NOT TO SCALE)



**DIAGRAM B**  
(NOT TO SCALE)  
Minimum Slide Clearance Area

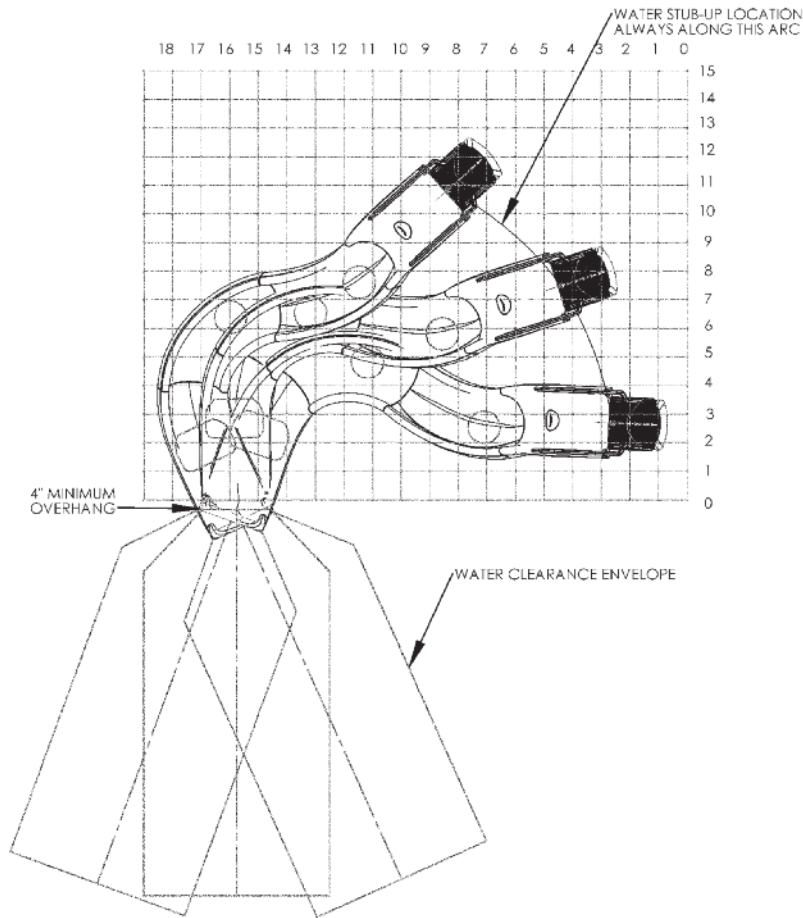
**DIAGRAM C**  
(NOT TO SCALE)  
Minimum Water Safety Envelope



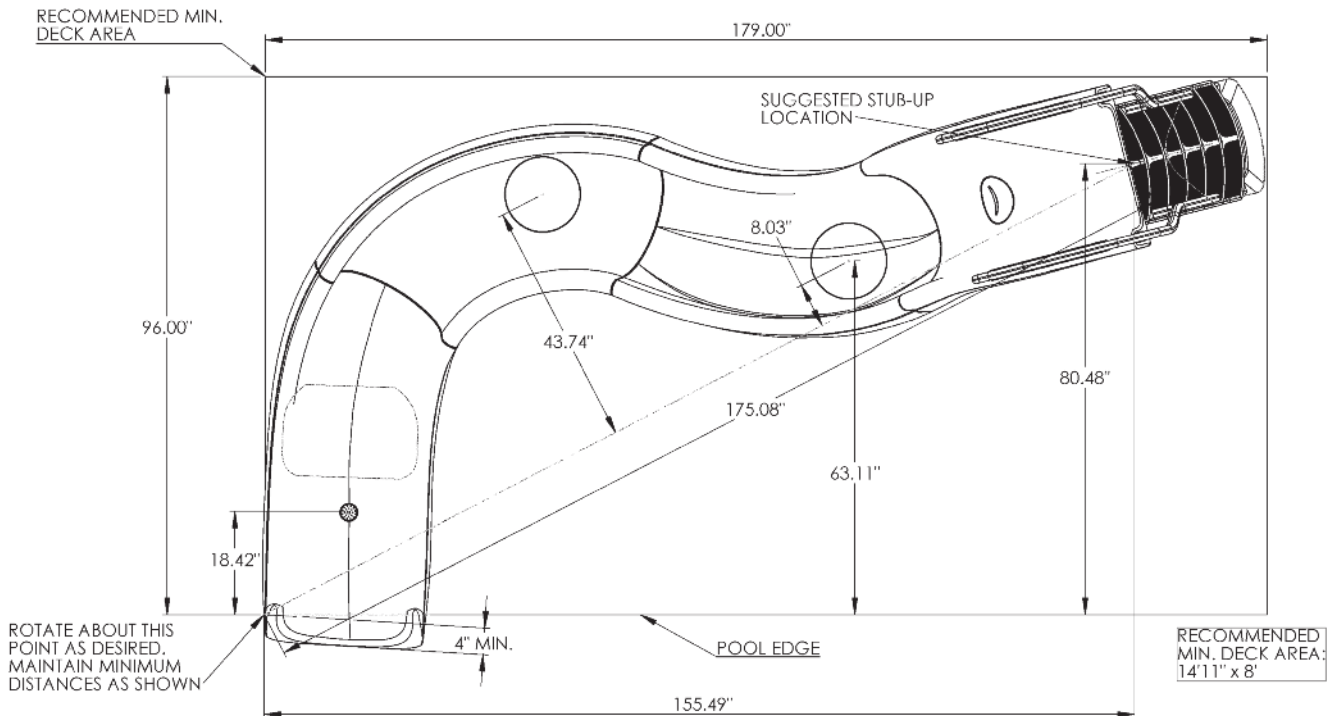
**ALL SLIDES SHOULD BE GROUNDED**  
Check your local electrical code requirements.

**SLIDE PLACEMENT DIAGRAM & FOOTPRINT DIAGRAM**  
*Adrenaline Slide - Left Turn*

**DIAGRAM D**  
 (NOT TO SCALE)



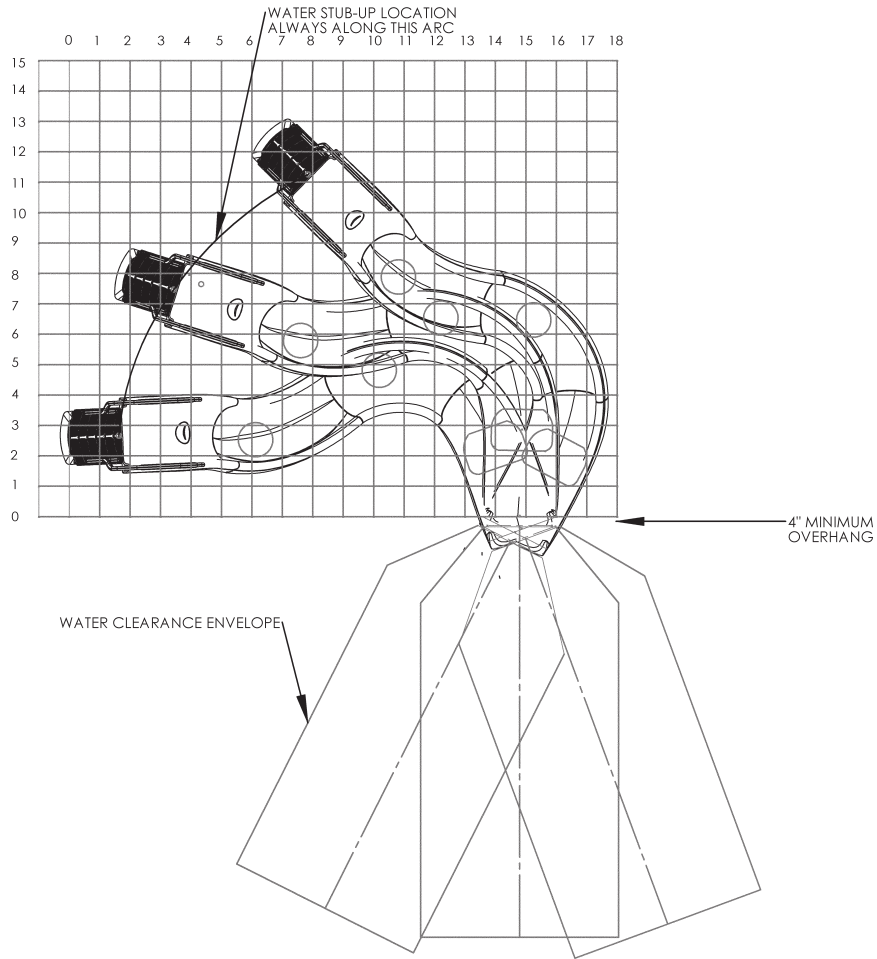
**DIAGRAM E**  
 (NOT TO SCALE)



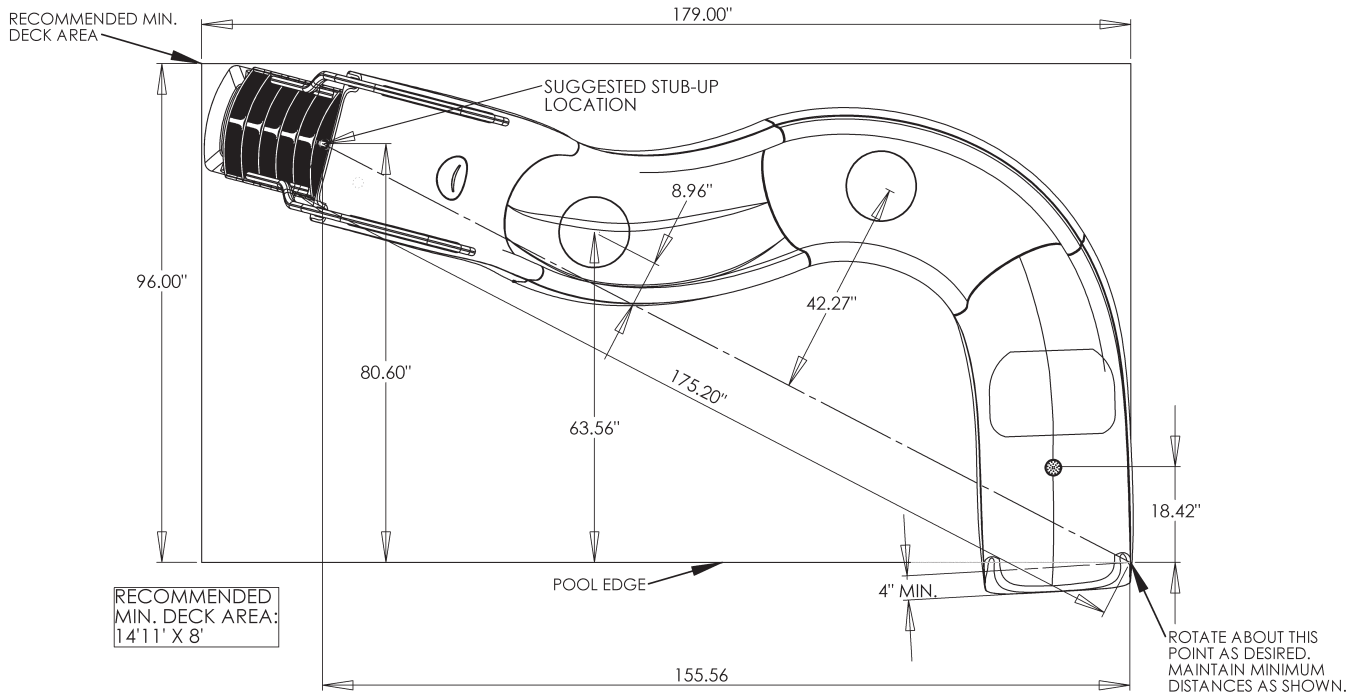


**SLIDE PLACEMENT DIAGRAM & FOOTPRINT DIAGRAM**  
*Adrenaline Slide - Right Turn*

**DIAGRAM F**  
 (NOT TO SCALE)

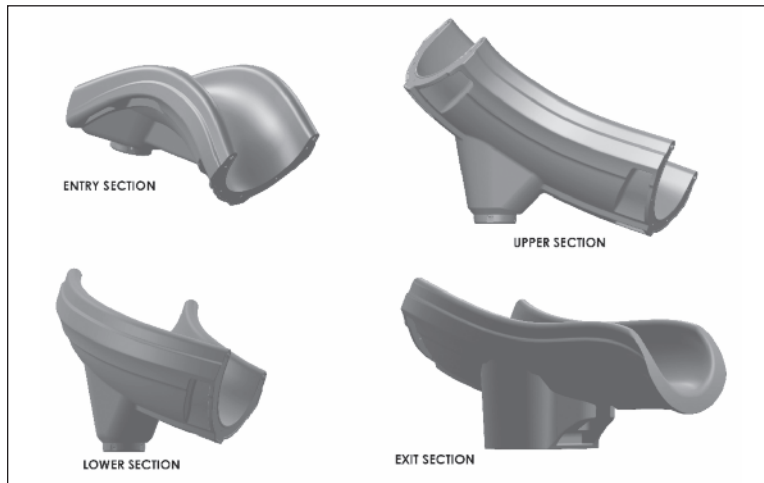


**DIAGRAM G**  
 (NOT TO SCALE)

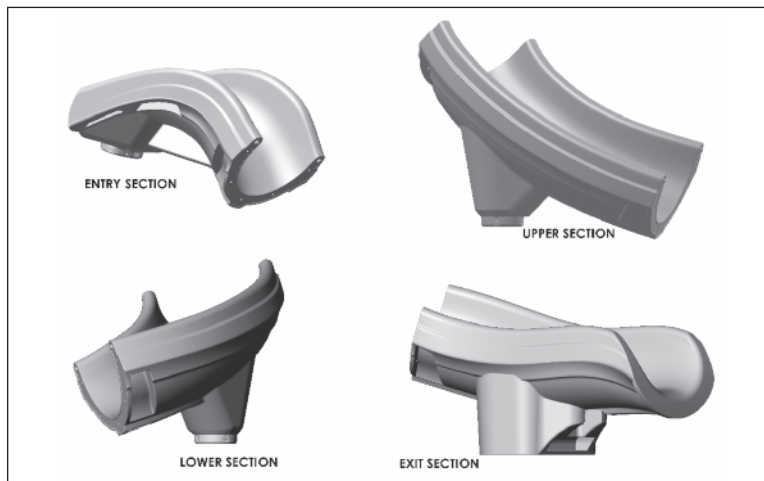




**ADRENALINE SLIDE COMPONENTS**



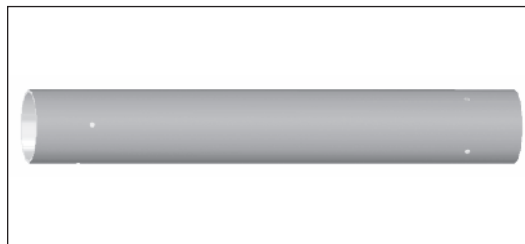
**Left Turn Slide Flume Parts**



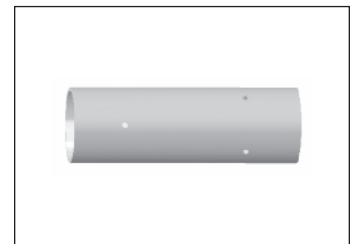
**Right Turn Slide Flume Parts**



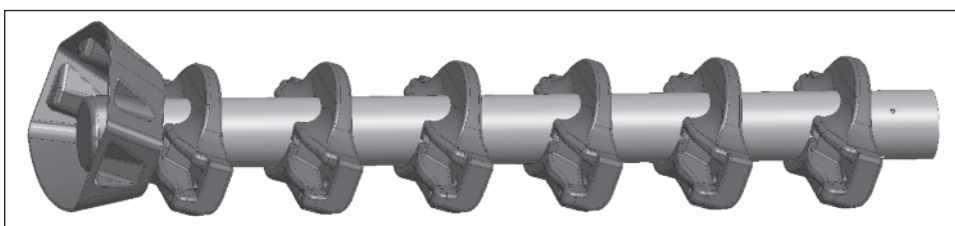
**Handrail (2)**  
**1-Right; 1-Left**



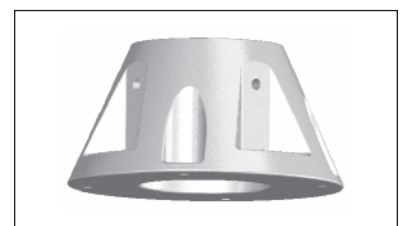
**Long Leg**



**Short Leg**



**Step Assembly**



**Foot Pedestal (2)**

**LIST OF REQUIRED TOOLS**

**Tools required for assembly and installation of Adrenaline slide:**

**NOTE: USE PROVIDED ANTI-SEIZE ON ALL BOLTS!**

- |   |                                       |
|---|---------------------------------------|
| <b>1. Hammer</b>                                      | <b>7. Drill with 3/8" masonry bit</b> |
| <b>2. 3/8" drive ratchet</b>                          | <b>8. Tape measure</b>                |
| <b>3. 3/8" x 6" ratchet extension</b>                 | <b>9. PVC Pipe Cutter</b>             |
| <b>4. 1/2" deep socket (deep socket is necessary)</b> | <b>10. Level</b>                      |
| <b>5. 9/16" socket</b>                                | <b>11. Angle Finder</b>               |
| <b>6. 9/16" box end ratchet wrench</b>                | <b>12. Pliers</b>                     |
|   | <b>13. Razor Knife</b>                |

**NOTE: Use slide box and packaging during assembly to protect slide components from damage from the decking surface.**

**IMPORTANT NOTE:** The Adrenaline pool slide uses a proprietary water supply and drain system. Water is supplied at the top of the slide as well as to the drain unit in the exit. The exit drain also serves to remove any standing water when the slide is not in use. The plumbing is factory installed but the drain in the exit section must be connected to the entry water outlet plumbing during slide installation. The exit section is plumbed with a length of 3/8" clear vinyl tubing and a red cap as shown in Figure 1. The red cap will facilitate pulling the vinyl tubing through the lower and upper flume sections. The red cap will be cut off and discarded when the slide plumbing is connected.

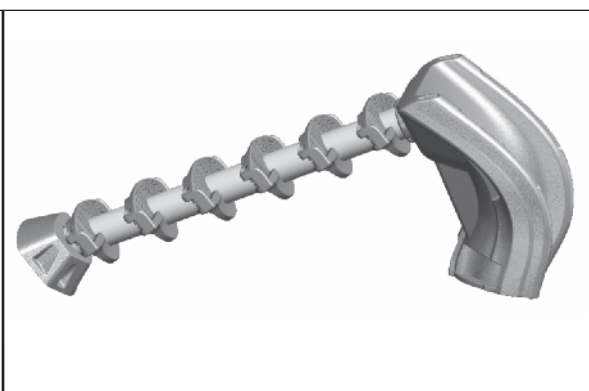
**STEP ONE: Attach the Ladder to the Entry Section**

Thread the flex PVC hose from the entry section through the step tube assembly and out the pre-drilled hole above the bottom step. Utilizing hardware kit ADR-103-SS and anti-seize, attach the ladder to the entry section on the ground. Be careful not to scratch the slide; use the cardboard box the slide arrived in for protection. Insert the top of the ladder into the ladder receiver on the entry section and align the holes. (See Fig. 2 & 3) Place a 3/8" flat washer over a 3/8"x9-1/2" bolt with anti-seize, then push bolt completely through the pre-drilled holes in the entry section leg receiver and the PVC ladder; then place a 3/8" flat washer then a 3/8" lock washer then a nut on the bolt; hand tighten only. (These will be tightened after attachment to flume/exit section.

**NOTE: Install bolts from step side – nuts will be under entry section.**



**Fig. 1**



**Fig. 2**



**Fig. 3**

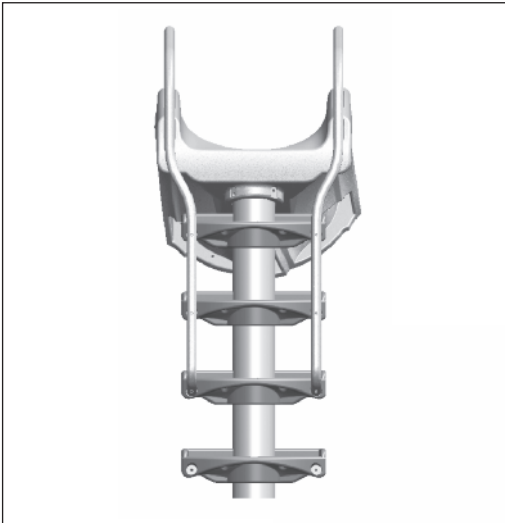
**STEP TWO: Attach the Handrails to the Ladder and Entry Section**

**TIP:** Install the handrails as shown in *Figure 4* below.

**TIP:** Hand tighten the all-threads into the handrails only, do not use any mechanical means such as a wrench or pliers to tighten the all-threads.

**TIP:** There are 8 all-threads utilized on each handrail. There are 3 different lengths of all-threads used on each handrail. *See Fig. 5 below to match actual size.* (ADR-105-SS Kit)

**TIP:** The offset at the bottom of each handrail faces in as the step attachment point is narrower than the entry section.



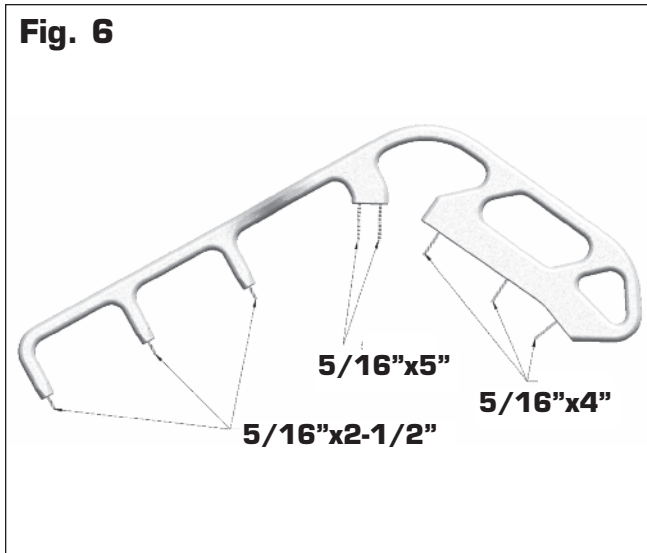
**Fig. 4: Back View of Ladder Section Assembly**



**Fig. 5**

**STEP TWO: Attach the Handrails to the Ladder and Entry Section - CONT.**

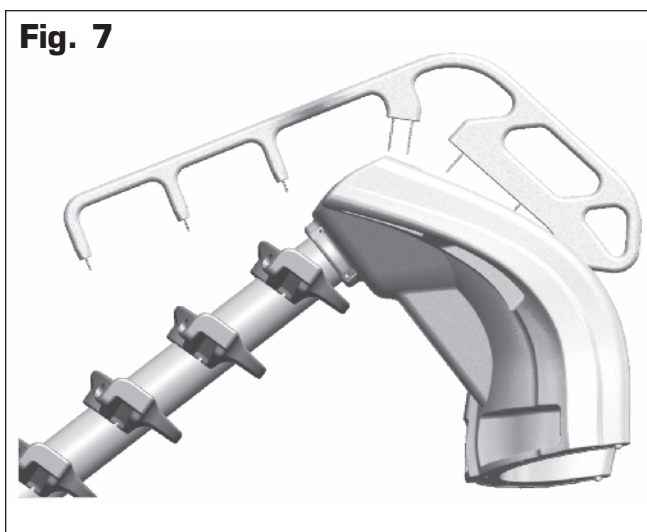
Insert the correct length of all-thread into the nuts embedded in the handrails then attach the handrails as illustrated. (See Fig. 6 and 7)



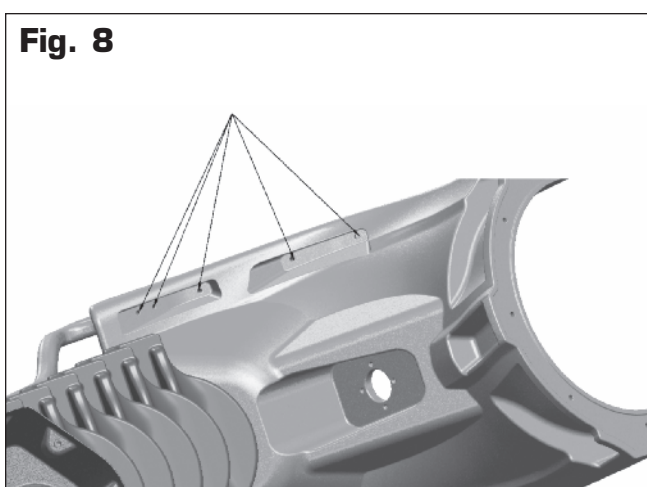
Hand tighten all-thread into each of the 8 locations on the handrails. Ensure correct length of all-thread is used at each location. (See Fig. 5 on page 9.)

- 5/16" x 2-1/2" all-thread (3 each as shown)
- 5/16" x 4" all-thread (3 each as shown)
- 5/16" x 5" all-thread (2 each as shown)

Make sure to use provided anti-seize on the all-thread before inserting into the embedded nuts.

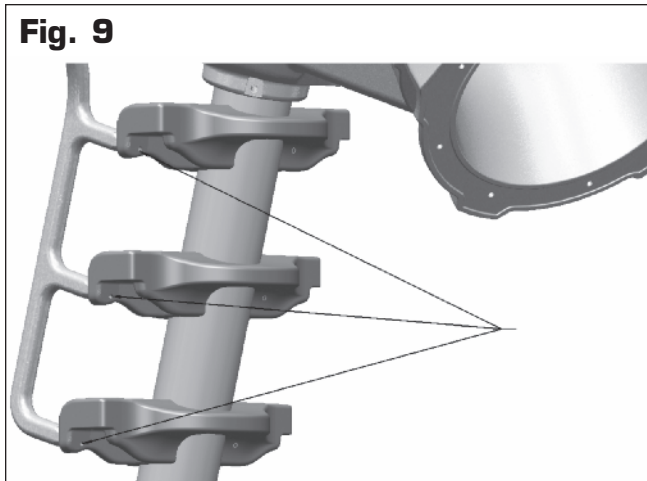


Insert handrail into the top section first as illustrated. Push or pull the handrail apart until the all-threads pass through the 5 holes in the entry section and through the holes drilled in the upper 3 steps.



These 5 locations on the entry section that receive a flange nut only. (See Fig. 8) Make sure to use the provided anti-seize on the all-threads before attaching the flange nuts. A flat washer is not needed. Hand tighten.

**STEP TWO: Attach the Handrails to the Ladder and Entry Section - CONT.**



These three locations require a flat washer, flange nut and rubber cap. (See Fig. 9) Make sure to use the provided anti-seize on the all-threads before attaching the flange nuts. Hand tighten.

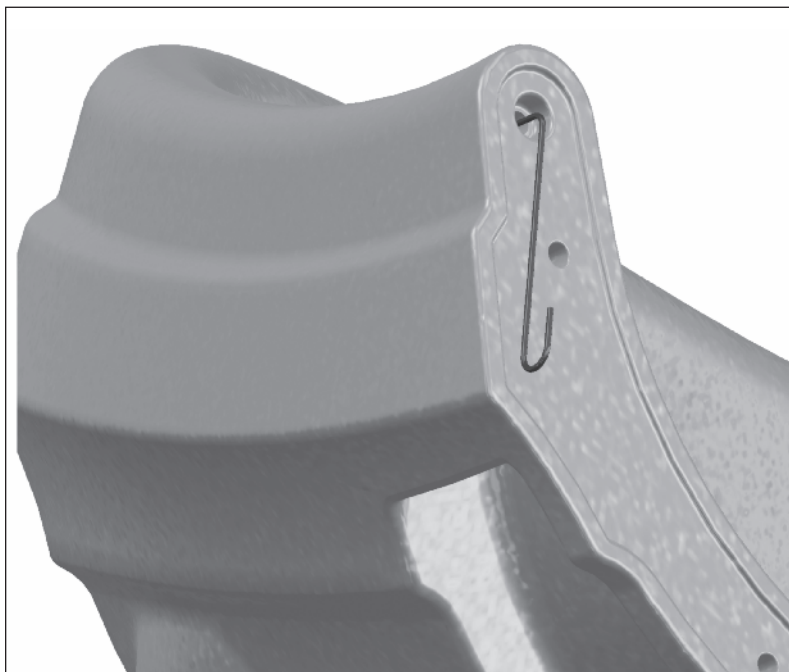
**NOTE: 1/8" - 1/4" of the all-threads will extend through the flange nut.**

**STEP THREE: Attach the Foot Pedestals to the Legs**

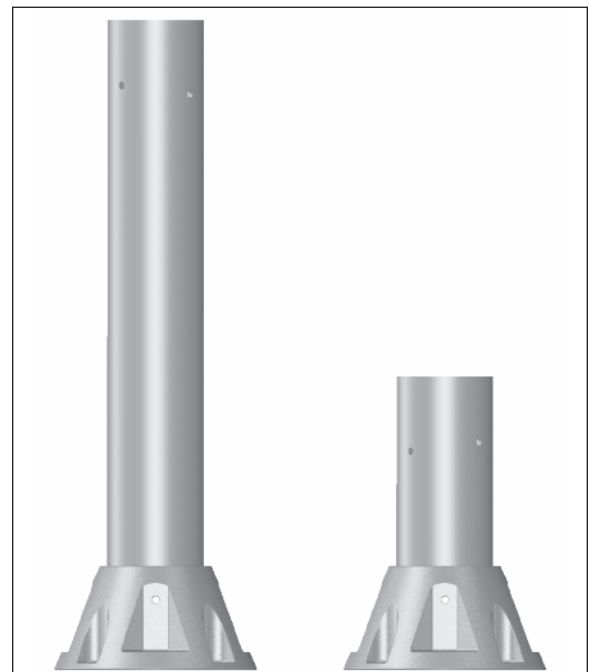
**TIP:** Both PVC legs have a different hole drill pattern at each end. There is a top/bottom orientation. The offset bolt holes go to the top and bolt to the flumes. (See Fig. 11)

Insert the correct end of the long PVC leg into the foot pedestal, align the holes, utilizing hardware kit ADR-101-SS and anti-seize, place a flat washer over a 3/8" bolt; then push bolt through the pre-drilled holes in the PVC leg and the foot pedestal, then place flat washer then 3/8" nylon nut and **fully tighten now**. Repeat the process for the short PVC leg.

**NOTE: Do not remove fish wire.** (See Fig. 10)



**Fig. 10**



**Fig. 11**

**STEP FOUR: Attach the Legs to the Flume**

Insert the top of the long leg into leg receiver of the upper flume, and the top of the short leg into the leg receiver of the lower flume. Align holes, then utilizing hardware kit ADR-103-SS and anti-seize, place a 3/8" flat washer over a 3/8"x9-1/2" bolt, then push bolt completely through the pre-drilled holes in the leg receiver and PVC leg then place a 3/8" flat washer then a lock washer and a nut. Hand tighten only at this time, these will be tightened after the flume is aligned. (See Fig. 12 & Fig. 13)

**NOTE:** Install the 3/8" x 9-1/2" bolts through the holes from the higher side of the flume, pushing them through toward the exit of the slide.



**Fig. 12**



**Fig. 13**

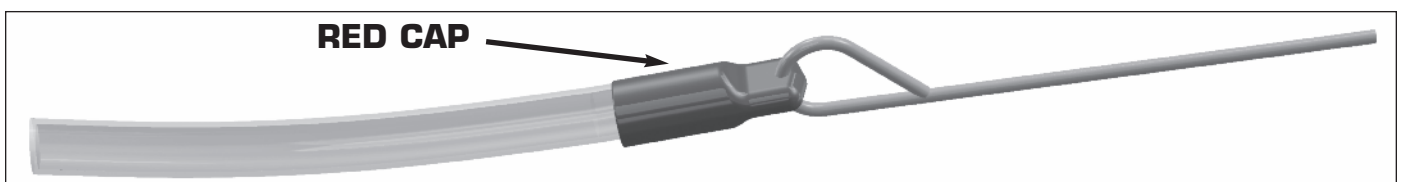
**STEP FIVE: Assemble the Flume Sections**

**TIP:** Hand tighten the flume bolts for now (be sure to apply anti-seize on bolts), they will be fully tightened once the flume is correctly aligned.

**TIP:** There are 3 factory installed gaskets. Ensure that a gasket is in place on the entry section, the upper flume and the lower flume.

Start the flume assembly by placing the exit section upright on its front pedestal as close as possible to its final position on the pool deck. Next, turn the lower flume upright on its pedestal.

With exit section in its approximate final position, place the lower flume with leg and pedestal about 12" from the exit. Use the hook in the end of the fish wire to connect to the hole in the end of the red cap on vinyl tubing. Bend the end of the wire to close the hook as shown in Figure 14. Gently pull the vinyl tubing through the flume section with the fish wire. Pull all tubing through and be careful not to kink the tubing or get it caught between connection flanges as the parts are bolted together.



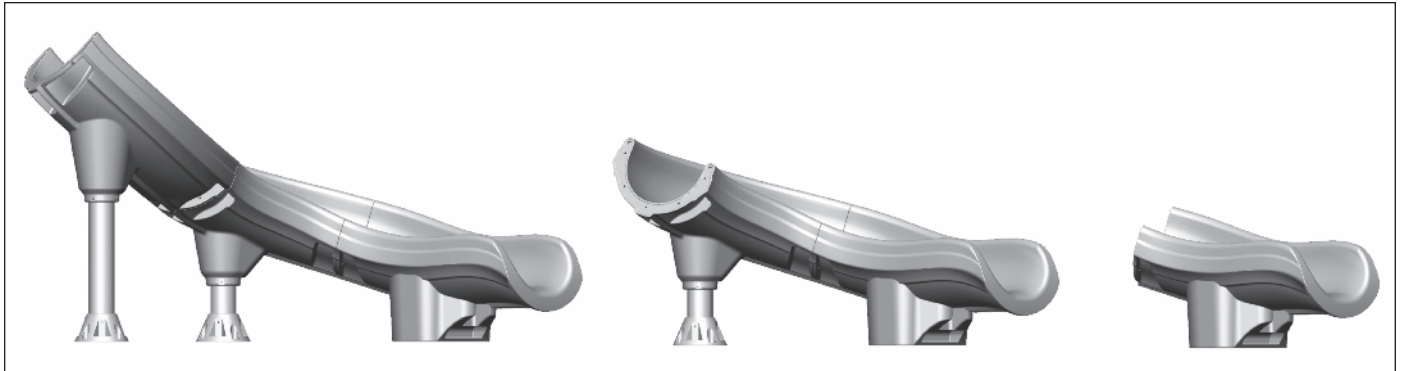
**Fig. 14**



**STEP FIVE: Assemble the Flume Sections - CONT.**

Using hardware kit ADR-102-SS and anti-seize, align the 5 flange holes, place flat washer over 3/8" bolt, then push completely through the flange. Place a flat washer, lock washer and nut onto the bolt and just hand tighten at this time.

Next, turn the upper flume upright on its leg and pedestal, repeat the above flange-to-flange bolting process. (See Fig. 15)



**Fig. 15**

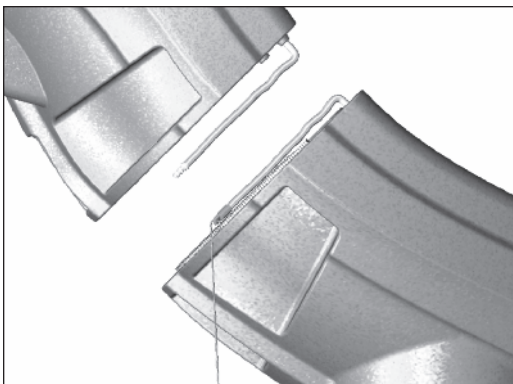
Position the upper flume with leg and pedestal about 12' from the lower flume. Carefully remove the lower flume fish wire from the red cap and attach the upper flume fish wire. Bend the end of the wire shut as in Figure 14 on page 12.

Gently pull the vinyl tubing through the flume section with the fish wire. Pull all tubing through and be careful not to kink the tubing or get it caught between connection flanges as the parts are bolted together. Leave the fish wire attached to the cap and tubing. This will insure that the tubing is not pulled back into the flume section during positioning of the slide.

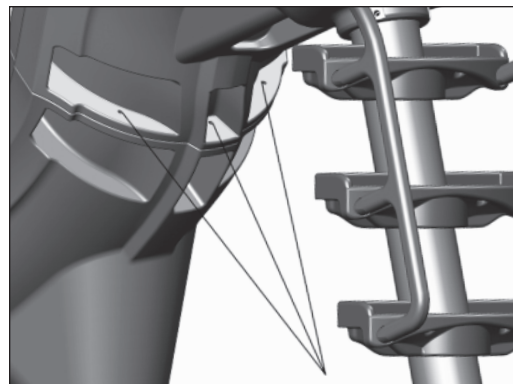
**STEP SIX: Attach the Entry Section & Ladder to the Flume**

Stand and lean the Entry and Ladder Assembly against the Upper Flume.

The entry section has a small length of 3/8" vinyl tubing and a connector which will be used in the final assembly to connect to the vinyl tubing from the exit. (See Fig. 16) Do not connect the 3/8" vinyl tubing at this time. It will be done after the slide is positioned and mounted to the deck. Gently move the vinyl tubing from both sections to the side. Align the flanges and connect with only the bottom 3 bolts with hardware from kit ADR-102-SS and anti-seize. (See Fig. 17) Hand tighten only at this time.



**Fig. 16**



**Fig. 17**



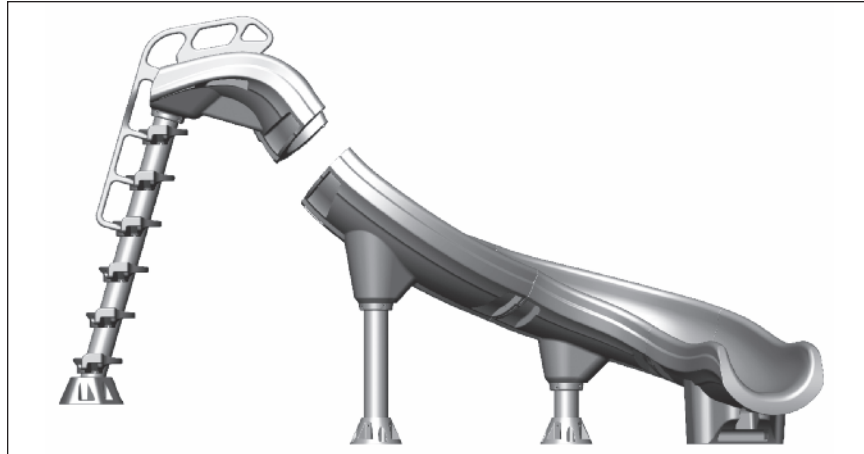


Fig. 18

**STEP SEVEN: Position Slide Assembly on Deck**

First, set the ladder at 16° using a slope finder as shown in *Figure 19*. Then adjust the ladder level side to side by placing a level against the outside edge of the steps as shown in *Figure 20*.

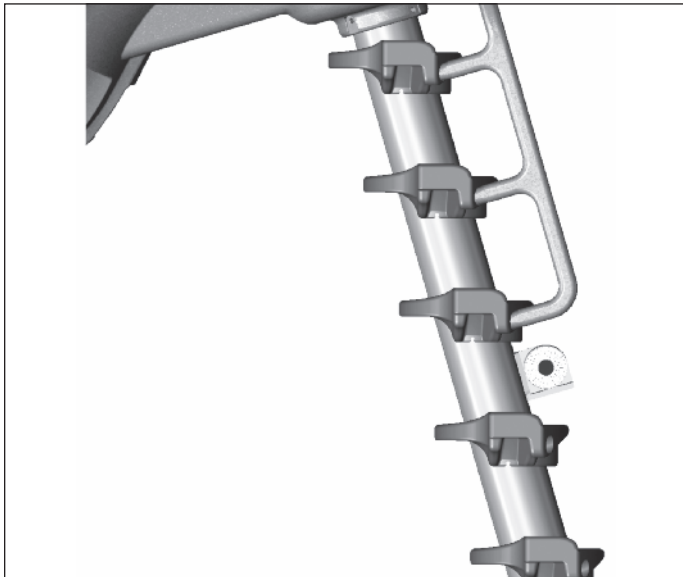


Fig. 19

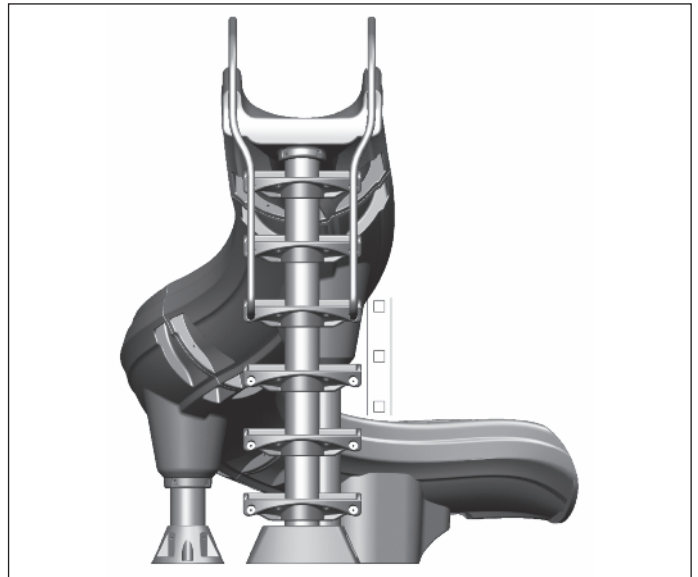


Fig. 20

Level the long and short PVC legs on both axis using a bubble level as shown in *Figure 21*.

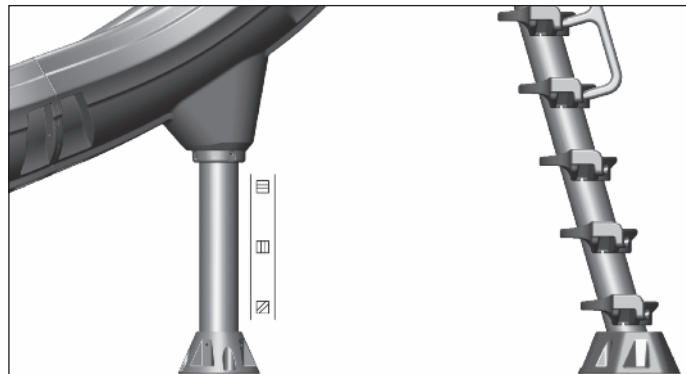


Fig. 21

**STEP EIGHT: Anchoring the Slide to the Deck**

Ensure that the assembled slide is in its correct and final position on the deck.

Now that the slide is in its correct and final position, the 2 legs are plumb, and the ladder is at 16° slope, use the feet and the front pedestal as a template to carefully mark the locations for all the anchor bolts.

**NOTE:** Use the short marker provided.

**DISASSEMBLY TO MOVE SLIDE**

Since it is not possible to drill the anchor bolt holes with the slide in place, and since the slide is very long and heavy, it is best now that the bolt holes are accurately marked, to disassemble the Entry and Ladder from the Upper-Lower Flume and Exit sections. *(Shown in Figure 18.)* Using 3 persons, gently move the Flumes-Exit assembly to one side allowing sufficient room to drill the anchor bolt holes. Do not leave the parts unassembled or leaning on their side for very long, as they can warp.

Anchor bolts are in hardware kit ADR-104-SS. **NOTE: there are 17 deck anchors (8-3/8" x 2-3/4" and 9-3/8" x 3-1/2")**, the 8 shorter anchors are used on the 2 round pedestals, the 9 longer anchors are used for the exit and step pedestal. *(See Figure 22)*

Using a 3/8" masonry bit, drill the 17 holes straight at 90° to the deck surface. DO NOT drill completely through the deck.

Place wedge anchors into the holes and properly seat them.

**NOTE:** Drill 3/8" holes for 2 round pedestals 1-1/2" deep, leaving 1-1/4" above deck. Drill 3/8" holes for exit section and step pedestal 1-3/4" deep, leaving 1-3/4" above deck.



**Fig. 22**

**REPOSITION AND REASSEMBLY OF SLIDE**

Now that all 17 holes have been drilled and the deck anchor bolts are in place, reposition the slide onto the deck starting with the upper-lower flume and exit section. Carefully lift and place the upper-lower flume and exit section over the anchor bolts.

**STEP EIGHT: Anchoring the Slide to the Deck - CONT.**

Position the entry-step assembly about 12" from the upper flume. While holding the vinyl tubing from the exit cut the tubing off about 1" back from the red cap. Holding the tubing will insure that it doesn't fall back into the upper flume section. Connect the tubing to the coupler and push any excess tubing back into the flume section. Be careful not to kink the tubing or get it caught between connection flanges as the parts are bolted together.

Carefully lift and place the Entry and Ladder section over the anchor bolts. Align the 5 flange holes between the entry and the upper flume, and repeat the bolting instructions. **Hand tighten for now.**

Place a 3/8" flat washer (hardware kit ADR-104-SS), a lock washer and a nut over the anchor bolts and carefully tighten the nuts to secure the slide to the deck.

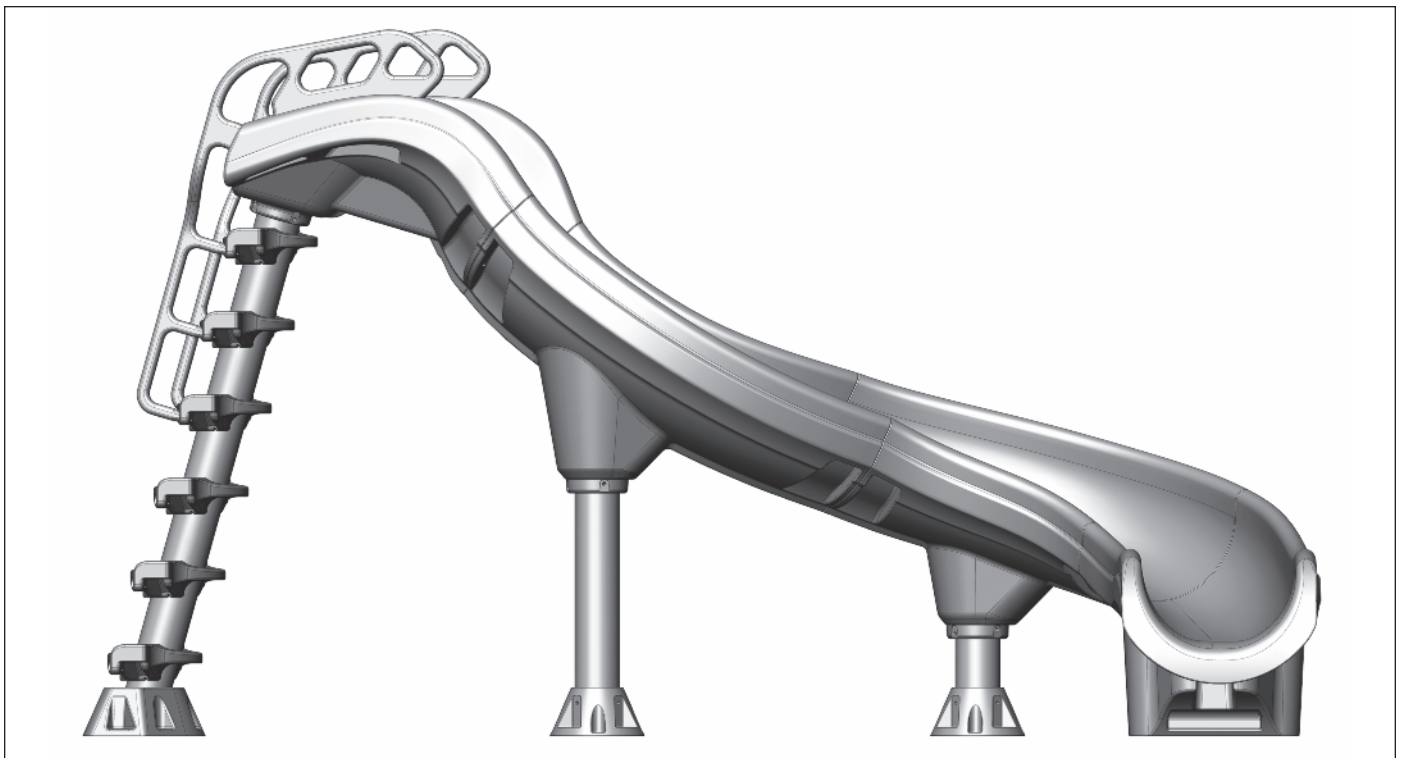
**STEP NINE: Alignment of Flume Sections**

Gently position the assembled slide into its correct and final position on the pool deck, align the sliding surface by adjusting the flume to flume alignment. *(See Fig. 23)*

**TIP:** There is enough tolerance in the flange connections to provide a smooth and even transition of the sliding surface between the flume sections.

**TIP:** Once the flume sections are bolted together hand tight, then gently push or pull on the flume sections to ensure a smooth, even alignment of the sliding surface.

Starting with the exit section, tighten the two outer bolts in an alternating fashion while maintaining a smooth sliding surface. Repeat this process for the other flanges as you move up the slide. Tighten all flange to flange connection bolts at this time.

**Fig. 23**

**STEP TEN: Tighten Leg Receiver Through Bolts**

With the slide secured to the deck and flumes aligned and tightened, tighten the six 3/8"x9-1/2" bolts on the PVC leg to both flumes and entry section.

Check the sliding surface one last time and adjust as necessary. At this time, check and re-tighten **ALL SLIDE CONNECTIONS**.

**STEP ELEVEN: Connect the Water Supply System**

Connect the bottom 1" PVC Flex Pipe to the customer installed water stub-up, as necessary. It is recommended that the provided in-line valve be installed between the slide and the water source so that the water flow can be adjusted as necessary.

**STEP TWELVE: Finishing Steps**

- Install protective caps on all exposed bolts.
- Turn water supply on and check water flow.
- Clean Slide and dispose of all debris caused by the installation.

**NOTE:** *It is recommended that after several days of use, all visible bolted connections be re-tightened as needed.*

**FINAL INSPECTION / ANNUAL INSPECTION CHECK LIST:**

1. Re-measure the depth and width of the water in front of the slide as well as the slide's exit height above water to ensure they conform to Diagrams A, B, and C on page 4.
2. Check the slide's position on the deck and ensure it conforms to the diagrams on pages 5-6.
3. Ensure the slide is securely anchored to the deck and stable.
4. Inspect the runway for visible cracks or tears.
5. Inspect the runway and ensure a smooth, even sliding surface. Ensure the gaskets between the flanges are compressed uniformly.
6. Inspect the runway for any water leaks and adjust water flow for even water distribution across sliding surface. Ensure water does not splash outside the runway, and all water running off the slide falls into the pool.
7. Inspect the slide for any loose or corroded fasteners.
8. Ensure there is a protective rubber cap on all exposed nuts and bolts.
9. Inspect all step-attachment points and ensure the steps are seated on the nylon support rods correctly.
10. Inspect the ladder handrails for rigidity and attachment. Can they be pulled out of their sockets?
11. Inspect the slide for sharp edges or protrusions on the ladder, deck flanges, handrails or runway.
12. Make sure the slide warning label is securely adhered to the slide.

**NOTE:** *this installation is not complete until you, the installer, gives the owner's manual to the customer and then reviews the intended use instructions with them.*

## **ADRENALINE™ SLIDE CARE & MAINTENANCE:**

Your slide requires periodic maintenance to keep it looking like new.

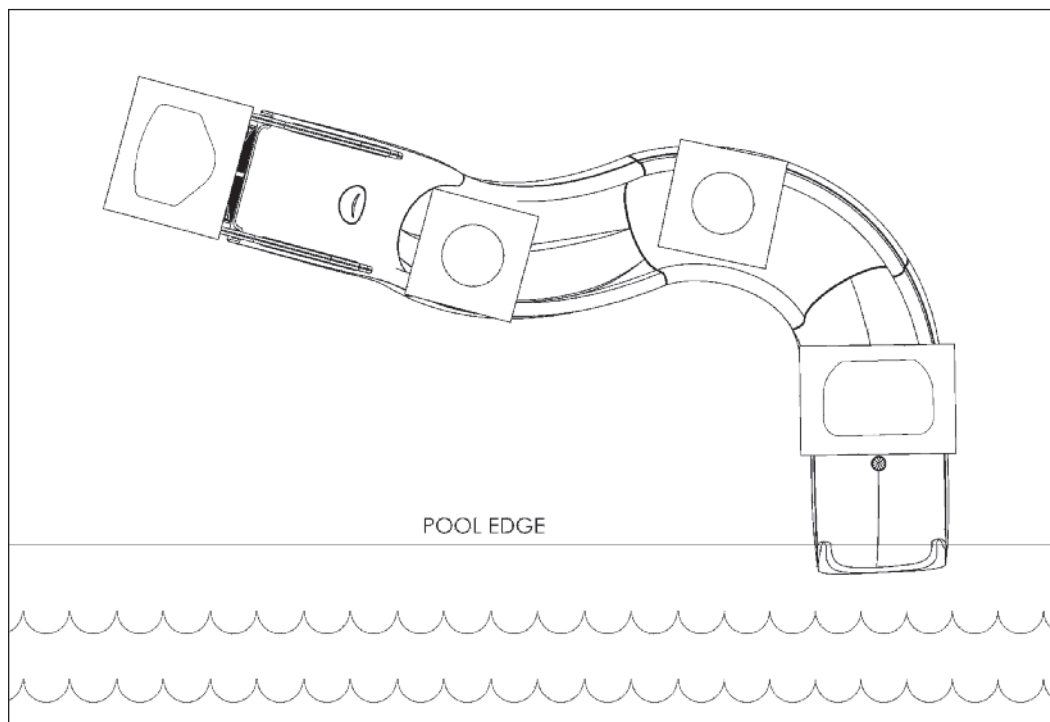
- Wash monthly or more frequently, if needed. Be careful to keep cleaning material from entering the pool.
- Wash with a mild soap such as hand dishwashing soap, avoid using strong cleaners or abrasives. Avoid strong alkaline (such as tri-sodium phosphate) or highly acidic cleaners. Avoid bleach and ammonia.

**\* These suggestions and data based on information believed to be reliable, from our raw materials manufacturers. They are offered in good faith, but without guarantee, as conditions and methods of use and procedures are beyond our control.**

## **PAVER KIT INFO – ADRENALINE**

When installing an Inter-Fab Adrenaline™ slide using a paver kit, you must ensure that all standard installation requirements are met. The slide must be compatible with the type of pool on the intended installation and all ANSI/NSPI-4 2007 requirements must be met. Refer to installation manual.

*Figure 24 illustrates an example of the minimum concrete pads recommended for the Adrenaline™ slide. Specific slide positions and concrete pad orientations may vary. Make sure to allow for water stub up location near the ladder foot on the Adrenaline™ slide when pouring the concrete pad for the ladder foot. In order to ensure proper placement, you will need to set the slide up first to determine where the concrete pillars will be located.*



**Fig. 24**

**PAVER KIT INFO – ADRENALINE - CONT.**

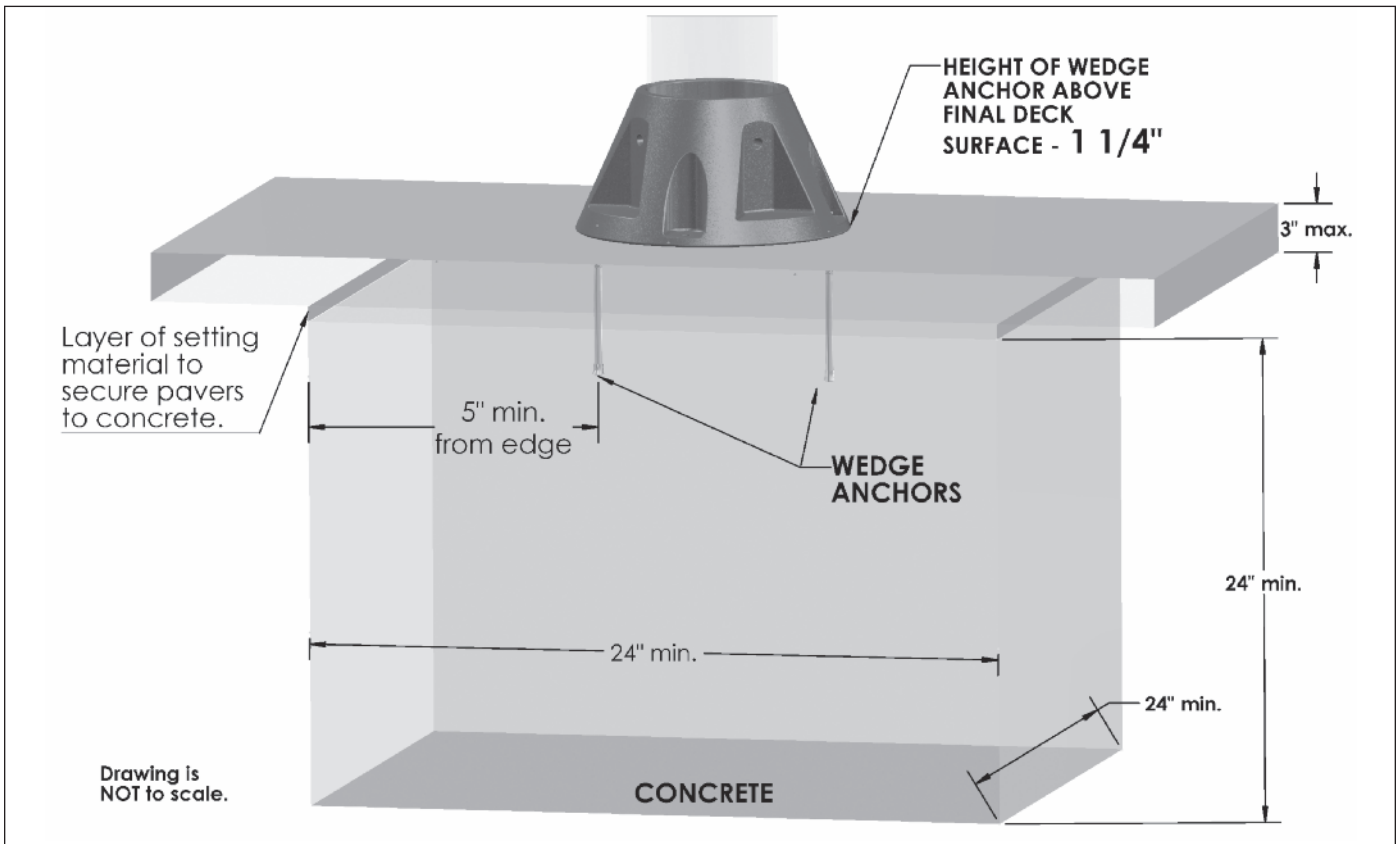
Figures 25, 26 and 27 show an example side view of a slide round pedestal, step pedestal and exit section and a wedge anchor used in a paver installation. Pavers can be a maximum of 3” thick. Pavers must be mechanically attached to the concrete pad using a setting material (such as mortar or thinset for example) that is no thicker than 3/8”.

1-1/4” of each 3/8” wedge anchor needs to be exposed above the final deck surface for the round pedestal and 1-3/4” for the step pedestal and exit section. (See Figures 25, 26 and 27.) You will need to factor in the thickness of your paver (3” MAX.) and the thickness of your setting material (3/8” MAX.) for your individual installation.

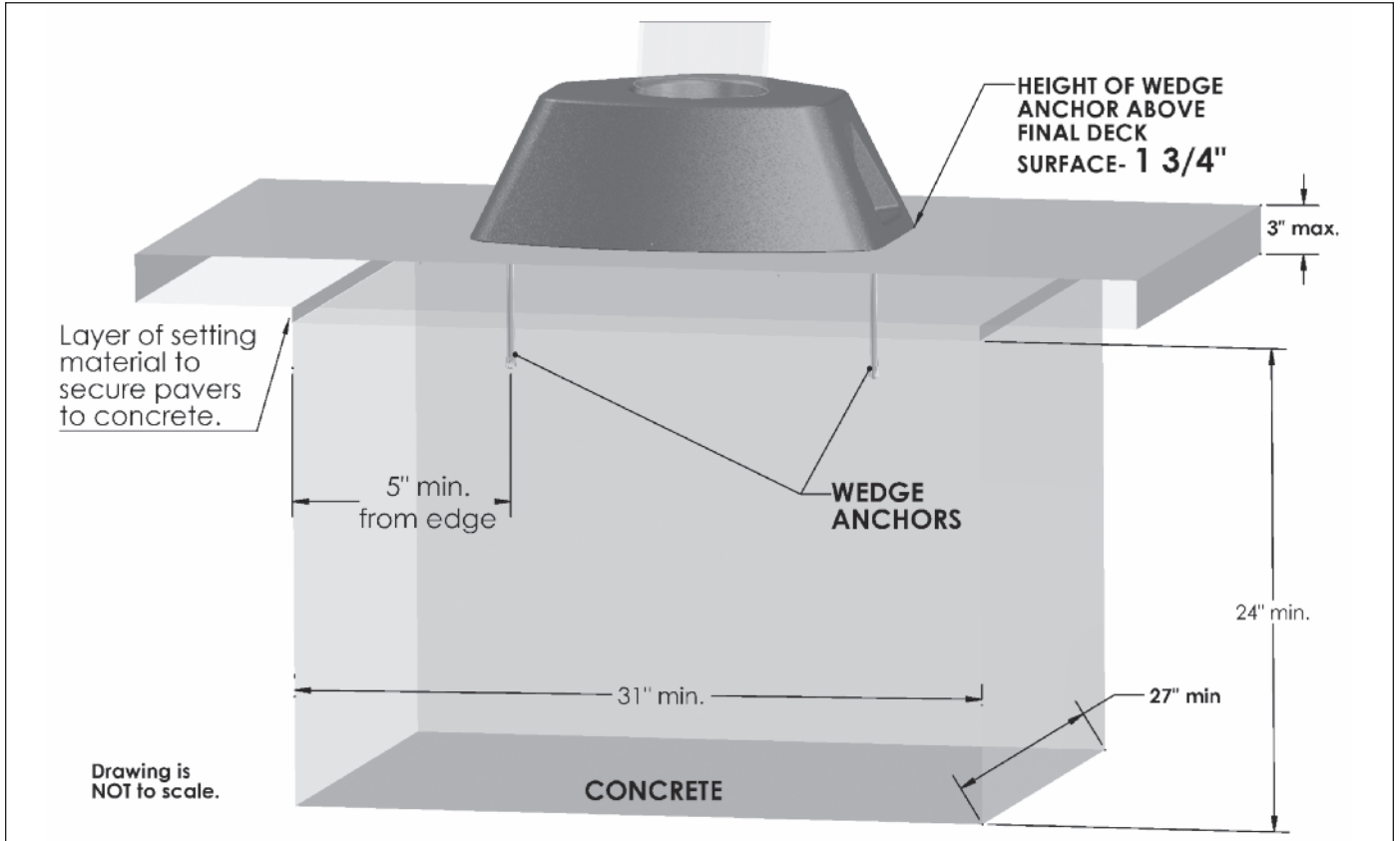
You will need a 3/8” masonry bit for the Adrenaline™ slide.

**Inter-Fab Inc. will not be responsible for damage to pavers caused by drilling or mechanically attaching to concrete pad. Refer to paver manufacturer’s specific installation instructions before beginning.**

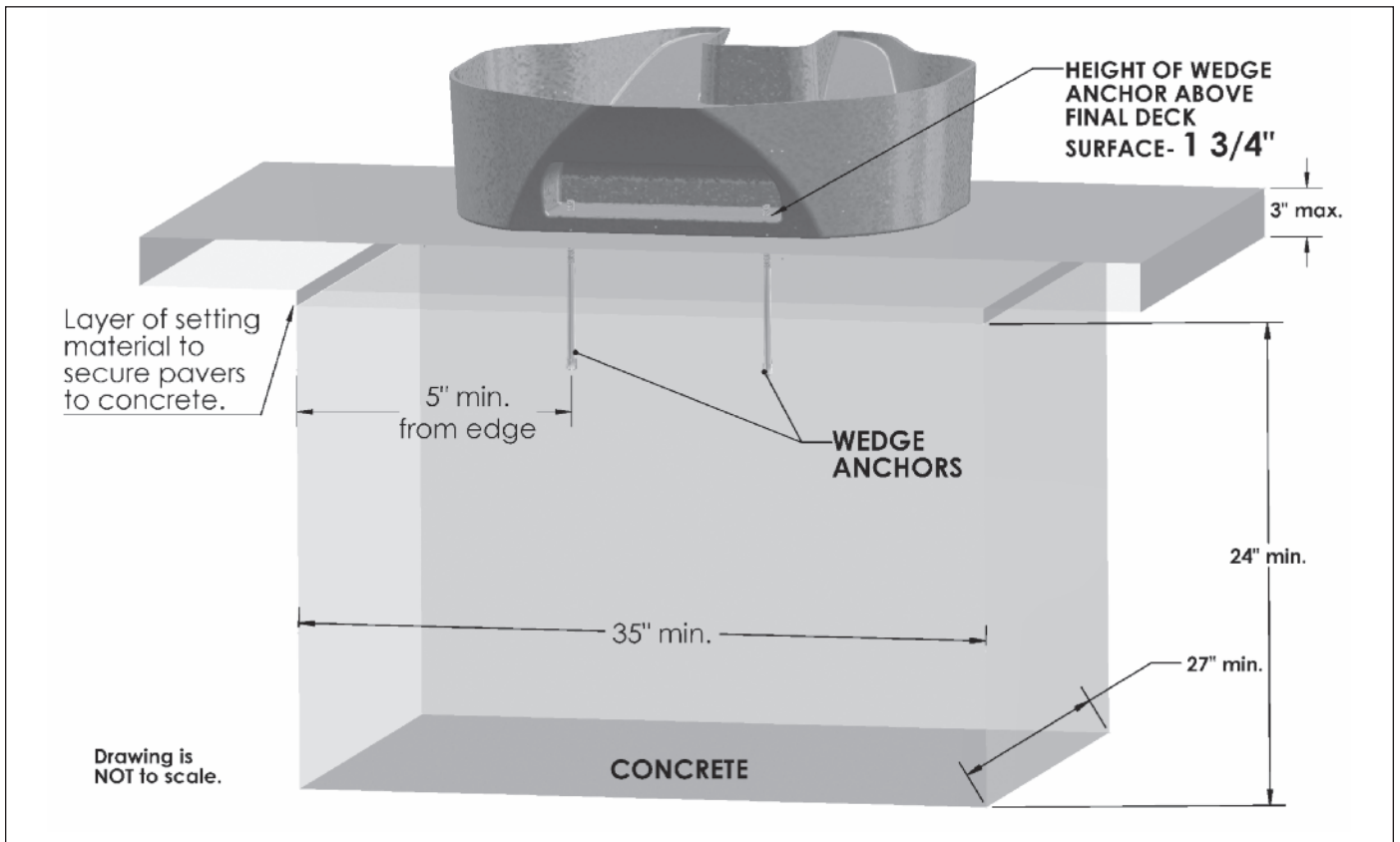
**NOTE:** All Adrenaline™ wedge anchors (17 ea.) are 3/8” x 7”.



**Fig. 25 – Example of Round Pedestal on Concrete Pad (side view)**



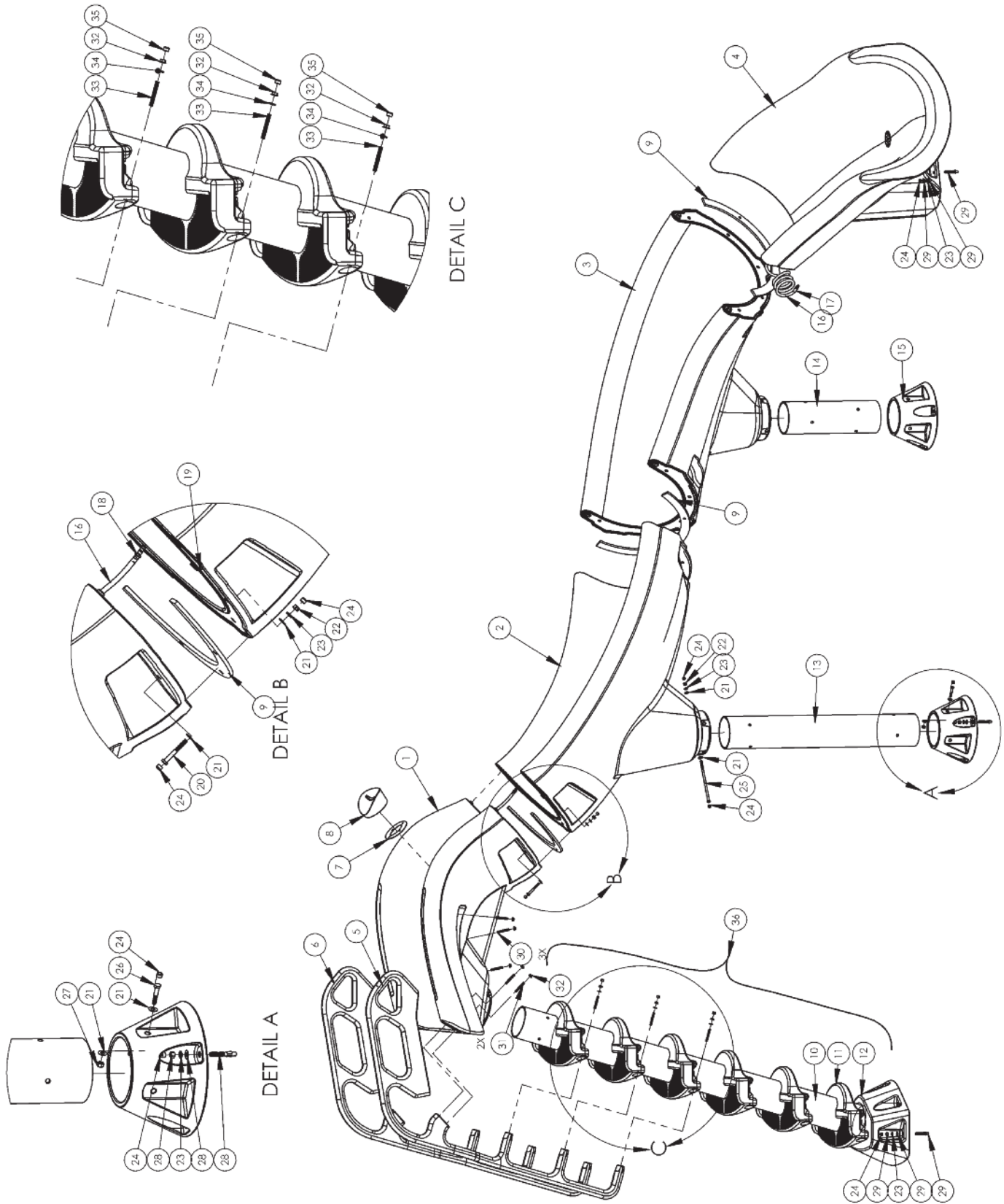
**Fig. 26 – Example of Step Pedestal on Concrete Pad (side view)**



**Fig. 27 – Example of Exit Section on Concrete Pad (side view)**



ADRENALINE™ SLIDE (ADR1-CR SHOWN):



## ADRENALINE™ SLIDE (ADR1-CR SHOWN):

**ALL CHART INFORMATION BELOW CORRESPONDS WITH THE DRAWING ON THE PREVIOUS PAGE.**



**DRAWING REPRESENTS THE FOLLOWING PART NUMBERS:**

ADR1-CR & ADR1-CL

ADR-101-SS: PVC Leg to Foot  
 ADR-102-SS: Flume to Flume  
 ADR-103-SS: PVC Leg to Flume  
 ADR-104-SS: Foot Pedestal to Deck  
 ADR-105-SS: Handrails to Entry and Steps

ITEM #	COMPONENT	DESCRIPTION	HARDWARE KITS/PARTS KITS – QTY. COUNTS							
			ADR1-CR	ADR1-CL	ADR-101-SS	ADR-102-SS	ADR-103-SS	ADR-104-SS	ADR-105-SS	
1	ADR-R (L) ENTRY	ADRENALINE RIGHT (LEFT) ENTRY	1	1						
2	ADR-R (L) UPPER FLU	ADRENALINE RIGHT (LEFT) UPPER FLUME	1	1						
3	ADR-R (L) LOWER FLU	ADRENALINE RIGHT (LEFT) LOWER FLUME	1	1						
4	ADR-R (L) EXIT	ADRENALINE RIGHT (LEFT) EXIT	1	1						
5	ADR-R HANDRAIL	ADRENALINE RIGHT HANDRAIL	1	1						
6	ADR-L HANDRAIL	ADRENALINE LEFT HANDRAIL	1	1						
7	ADR-WATER GSKT	WATER OUTLET GASKET (FACTORY INSTALLED)	1	1						
8	ADR-WATER OUTLE	WATER OUTLET (FACTORY INSTALLED)	1	1						
9	ADR-GASKET	3/8" "U" SHAPED FLANGE GASKET	3	3						
10	H-6 X 80.375	6" X 80.375" GRAY PVC PIPE (STEP TUBE)	1	1						
11	XS-STEP	BLOW MOLDED GRAY STEP	6	6						
12	PEDESTAL	STEP TUBE FOOT PEDESTAL GRAY	1	1						
13	H-6 X 40.750	6" X 40.750" GRAY PVC PIPE	1	1						
14	H-6 X 19.750	6" X 19.750" GRAY PVC PIPE	1	1						
15	XS-FOOT PEDESTA	STRAIGHT FOOT PEDESTAL	2	2						
16	ADR-3/8X1/2 TUB	3/8" X 1/2" CLEAR VINYL TUBING	12 FT	12 FT						
17	ADR-RED CAP	RED VINYL CAP	1	1						
18	ADR-3/8 HOSE	3/8" HOSE CONNECTOR	1	1						
19	ADR-16 GA WIRE	16 GA FISH WIRE	10 FT	10 FT						
20	H-SS 3/8X3 TAP	3/8" X 3" HEX HEAD TAP BOLT S.S.				15				
21	H-SS 3/8 FLT WA	3/8" X 1" FLAT WASHER S.S.			16	30	12			
22	H-SS 3/8 F NUT	3/8" FINISH NUT S.S.				15	6			
23	H-SS 3/8 LOC WA	3/8" LOCK WASHER S.S.				15	6	17		
24	CAP	VINYL PROTECTIVE CAP			8	30	12	17		
25	H-SS 3/8 X 9-1/2	3/8" X 9 1/2" HEX HEAD BOLT S.S.					6			
26	H-SS 3/8-16X2HH	3/8" X 2" HEX HEAD BOLT S.S.			8					
27	H-SS 3/8 NYLON	3/8" NYLON INSERT NUT S.S.			8					
28	H-SS 3/8 WEDGE	3/8" X 2 3/4" WEDGE ANCHOR W/NUT AND FLAT WASHER S.S.						8		
29	H-SS 3/8X3-1/2 W	3/8" X 3 1/2" WEDGE ANCHOR W/NUT AND FLAT WASHER S.S.						9		
30	H-SS 5/16X4 AT	5/16" X 4" ALL-THREAD STUD S.S.							6	
31	H-SS 5/16X5 AT	5/16" X 5" ALL-THREAD STUD S.S.							4	
32	H-SS 5/16 SER	5/16" FLANGE NUT S.S.							16	
33	H-SS 5/16X2-1/2	5/16" X 2 1/2" ALL-THREAD STUD S.S.							6	
34	H-SS 5/16 F WAS	5/16" FLAT WASHER S.S.							6	
35	H-.463X.310 CAP	GRAY VINYL PROTECTIVE CAP							6	
36	H-1 BALL VALVE	1" BALL VALVE SLIP GRAY (NOT SHOWN)	1*	1*						
37	H-NYLON ROD	NATURAL NYLON 101 .375" DIA. (NOT SHOWN)	6*	6*						
38	H-1 SPA HOSE	1" GRAY SPA HOSE FLEX (NOT SHOWN)	12*	12*						
39	H-ANTI-SEIZE	ANTI SEIZE PACKET (NOT SHOWN)	1*	1*						
40		ADRENALINE STEP/PEDESTAL ASSEMBLY	1	1						

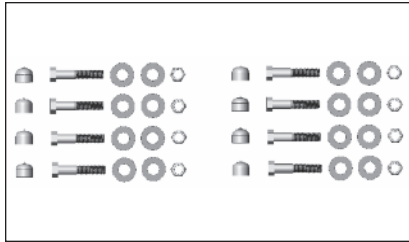
\* not pictured

**NOTES:**

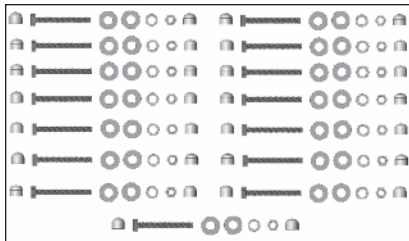
Adrenaline slide available in Summit Gray or Desert Tan  
 Adrenaline slide is available in a right or left turn configuration

Check your local electrical code requirements for bonding requirements.

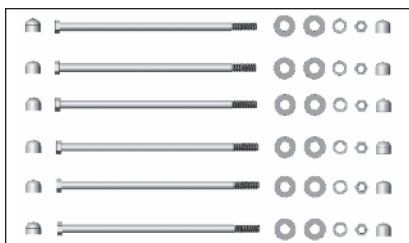
**ADRENALINE™ SLIDE HARDWARE KITS (NOT TO SCALE)**



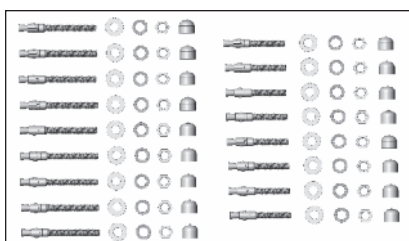
<b>ADR-101-SS – PVC LEG TO FOOT PEDESTAL</b>		
QTY	PART NUMBER	COMPONENT DESCRIPTION
8	H-SS 3/8-16X2HH	3/8" x 2" hex head bolt s.s.
8	H-SS 3/8 NYLON	3/8" nylon insert nut s.s.
16	H-SS 3/8 FLT WA	3/8" x 1" flat washer s.s.
8	H-.550 X .375	protective cap



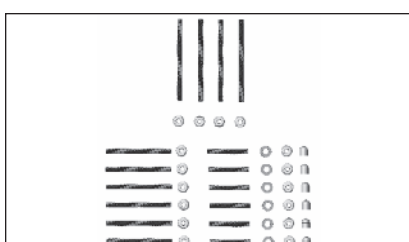
<b>ADR-102-SS – FLUME TO FLUME HARDWARE</b>		
QTY	PART NUMBER	COMPONENT DESCRIPTION
15	H-SS 3/8X3 TAP	3/8" x 3" hex head tap bolt s.s.
15	H-SS 3/8 F NUT	3/8" finish nut s.s.
30	H-SS 3/8 FLT WA	3/8" x 1" flat washer s.s.
15	H-SS 3/8 LOC WA	3/8" lock washer s.s.
15	H-.560 X .700	protective cap
15	H-.550 X .375	protective cap



<b>ADR-103-SS – PVC LEG TO FLUME</b>		
QTY	PART NUMBER	COMPONENT DESCRIPTION
6	H-SS 3/8X9-1/2	3/8" x 9-1/2" hex head bolt s.s.
6	H-SS 3/8 F NUT	3/8" finish nut s.s.
12	H-SS 3/8 FLT WA	3/8" x 1" flat washer s.s.
6	H-SS 3/8 LOC WA	3/8" lock washer s.s.
6	H-.560 X 1.20	protective cap
6	H-.550 X .375	protective cap



<b>ADR-104-SS – FOOT PEDESTAL TO DECK</b>		
QTY	PART NUMBER	COMPONENT DESCRIPTION
8	H-SS 3/8 WEDGE	3/8" x 2-3/4" wedge anchor w/nut & flat washer s.s.
9	H-SS 3/8X3-1/2 W	3/8" x 3-1/2" carriage bolt s.s.
17	H-SS 3/8 LOC WA	3/8" lock washer s.s.
17	H-.560 X 1.20	protective cap



<b>ADR-105-SS – HANDRAIL TO ENTRY &amp; STEPS</b>		
QTY	PART NUMBER	COMPONENT DESCRIPTION
6	H-SS 5/16X2-1/2	5/16" x 2-1/2" all-thread stud s.s.
6	H-SS 5/16X4 AT	5/16" x 4" all-thread stud s.s.
4	H-SS 5/16X5 AT	5/16" x 5" all-thread stud s.s.
16	H-SS 5/16 SER	5/16" serrated flange nut s.s.
6	H-SS 5/16 F WAS	5/16" flat washer s.s.
6	H-.463X.310 CAP	protective cap

<b>WATER CAP HARDWARE (PRE-ASSEMBLED WITH ENTRY SECTION)</b>		
QTY	PART NUMBER	COMPONENT DESCRIPTION
4	H-SS 1/4x20BOLT	1/4" x 1-1/2" hex head bolt s.s.
4	H-SS 1/4 FLAT W	1/4" flat washer s.s.
1	ADR-WATER G-SKT	1/16" x 4 hole neoprene gasket





## LIMITED WARRANTY

**Inter-Fab, Inc.** will repair or replace, at its option, any product manufactured by Inter-Fab, Inc. that fails during the applicable warranty period because of a manufacturing or material defect; provided that the defect is not the result of improper installation, improper use or care, negligence, alterations or modifications to the product, or natural accidents (acts of God). The applicable warranty period for products manufactured by Inter-Fab, Inc. is three (3) years from the date of retail purchase, except as specified below:

**Echoes of Nature™** products are individually handcrafted and painted by skilled artisans and as a result, dimensional differences and color variations are normal and are not a basis for warranty coverage. The warranty period for pumps sold with the Echoes of Nature™ products is three (3) years from the date of retail purchase.

**Pool Games** equipment warranty periods are as follows: Volleyball Poles, Basketball Poles, Basketball Rim, and Basketball Backboard are one (1) year from date of retail purchase. Volleyball, Volleyball Net, Basketball, Basketball Net, and pumps are warranted for ninety (90) days from date of retail purchase.

The **Board Fall**, **Board Fall-L** (LED), and **Board Fall-F** (fiber optic) water features, used for the **Jump & Splash™**, **T7™** and **aquaBoard™** products, have a warranty period of one (1) year from the date of retail purchase.

**Zoomerang™** slide products warranty period is one (1) year from the date of retail purchase.

**Build Your Own Slide™** (BYOS™), **Build Your Own Slide 2™** (BYOS 2™), **Garden Ride Series™**, **Pool/Spa Table™**, **Pool Seat™**, **Tanning Ledge Table™** and **Pool Lifestyle™** products warranty periods are one (1) year from the date of retail purchase.

**City 2™ Slide** and **City Base™** products warranty period are one (1) year from the date of retail purchase.

Unless expressly stated otherwise all products manufactured by Inter-Fab are for **residential installation (single family residence)** inground pool use only. Inter-Fab, Inc. expressly disclaims any and all warranties and liability arising from the installation or use of its residential products for any non-residential use such as semi-public, public, or commercial applications. Products expressly manufactured for commercial installation and use will be subject to this limited warranty.

This limited warranty is in lieu of all other warranties, whether express or implied. Inter-Fab, Inc. disclaims any warranty of merchantability or fitness for a particular use, and noninfringement in relation to any of its products and Inter-Fab, Inc. is not liable for consequential, incidental or specific damages. This warranty is limited to the repair or replacement of the manufacturing or material defect, or refund of the original purchase price, whichever is less, at the sole option of Inter-Fab, Inc., and expressly does not cover any labor or reinstallation expenses related to the replacement of any and all Inter-Fab products. This limited warranty shall be the sole and exclusive remedy of irrespective of whether the claims are made in contract, tort, warranty, law, equity or by statute.

This warranty is to the original purchaser of the product only. Inter-Fab's limited warranty is neither transferable nor portable from consumer to consumer. The effective coverage date begins at the date of retail purchase. Product owner or representative must notify Inter-Fab, Inc. (or its wholesale agent) in writing, giving a full description of the nature of the product defect or failure along with proof of purchase, serial number(s) of the product and photos within thirty (30) days of the expiration of the applicable warranty period. Inter-Fab, Inc. reserves the right to physically inspect damaged or defective products or components to determine the cause of the damage or defect, prior to authorizing repair or replacement of its products.



**3050 S. ALVERNON WAY • TUCSON, AZ 85713**  
**520.790.7040 • 800.737.5386 • FAX 520.790.7127 • INTER-FAB.COM**