

IMPORTANT

Read this guide and follow all instructions carefully before assembling or using this product.



To purchase replacement parts and accessories, or to obtain technical assistance, visit:

www.splasharoundpools.com

or call

(909) 980-7709

OWNER'S MANUAL

FAMILY FUN FOR EVERYONE



Warnings.....	3
Before you begin.....	4
Parts list and specifications.....	5
Preparing the ground.....	6
Assembly instructions / frame layout.....	7
Assembly instructions / liner layout.....	8
Assembly instructions / completion.....	9
Skimmer and return fitting assembly.....	9
Pump and filter assembly.....	10
Disassembly.....	10
Warranty.....	11-12

Getting started:

Congratulations on the purchase of your new pool! Please read this owner's manual before beginning assembly. The information contained within this booklet will help ease the installation process and extend the life of your pool. We suggest using 2-3 people during the assembly of your pool to speed things up. Don't forget to save this manual for future reference.



WARNING:



Never jump or dive into pool.
Horseplay of any kind in pool
may result in spinal or fatal injury.
Adult supervision is required at all times.



Important - Please read

- Make sure you do not install your pool under electrical lines.
- Always use a GFCI outdoor protected receptacle to plug your pool equipment into.
- Always make sure that the pool area is supervised by a competent individual.
- Do not allow any diving, jumping or headfirst entry into the pool.
- Never swim alone.
- Never use the pool under the influence of alcohol or drugs.
- Never allow children to use the pool unsupervised.
- Never leave your pool assembled without water.
- Never assemble the pool when ground is off level.
- Never assemble the pool on soft or unstable ground.
- Never try to make one end deeper on the pool floor, as the liner does not stretch.
- Do not over fill the pool.
- Never allow the pool to go unfiltered for a time period longer than 24 hours.
- Do not attempt assembly on any day with winds in excess of 20 MPH.
- Never assemble your pool on nut grass.
- Never assemble the pool without proper concrete or pressure treated support base as shown in this assembly guide.
- Never drag the pool liner across abrasive surfaces like asphalt or concrete.
- Always remember, safety is the key to fun in your new pool.

FAMILY FUN FOR EVERYONE



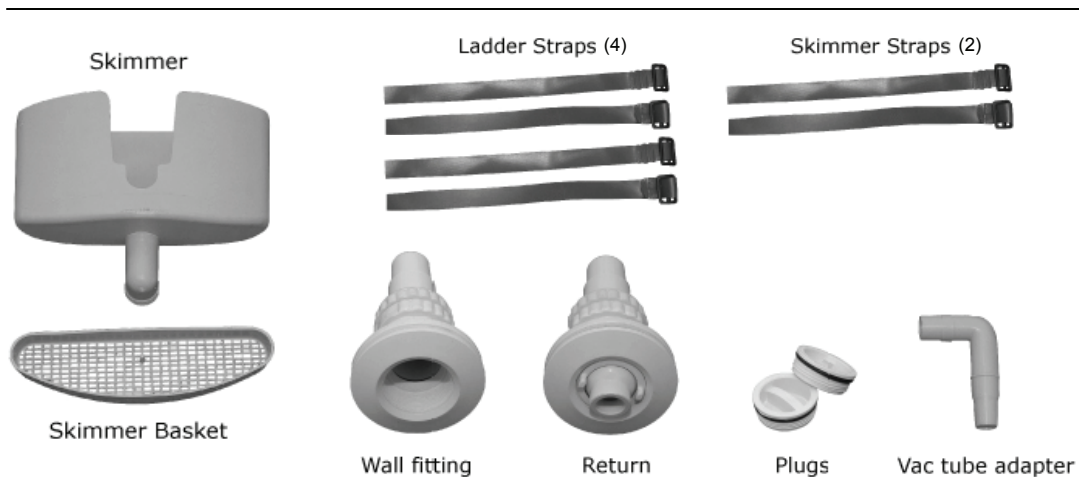
PLEASE NOTE:

- It is normal for the pool to show some deflection of the top rails inward while the pool is filling. Once the pool has filled completely, the deflection of the top rail may be slightly outward. This is common and will not effect the structural integrity of your pool.
- In some rare cases, due to different climate conditions and local water quality, your new pool may “sweat” or “weep” slightly after being filled for the first time. This may appear around the bottom perimeter of your pool, most often noticeable when installed on cement. This “sweating” or “weeping” will most often stop once the outside air temperature and inside water temperature equalize in a few weeks time or less. This is similar to condensation which occurs on the outside of a can of cold soda on a hot day. If after several weeks, your pool continues to “sweat” or “weep”, please contact your dealer or Splash-A-Round pools directly for further assistance.
- In some rare cases, due to the advanced design of the PVC poly-fabric reinforced heavy duty liner, small microscopic pinholes may occur in the material due to the curing process when manufactured. These microscopic pinholes may appear as a small “weep” in the material which can be easily omitted by dabbing a small amount of transparent glue which is provided with your pool. Once applied, wipe off with a dry cloth. The “weep” will immediately stop and the transparent glue will be invisible. If you do not wish to apply a small amount of transparent glue, you may simply wait a few weeks as most often the “weep” will stop on it's own. This is in no way a defect which will affect or compromise the integrity of your new pool.



Frame assembly list / Model QS-101848			
Ref.	Description	Qty	Diagram
A	Long straight tube "a" (Length: 50")	2	
B	Long straight tube "b" (Length: 50")	4	
C	Long straight tube "c" (Length: 50")	2	
D	Long straight tube "d" (Length: 48")	2	
E	Long straight tube "e" (Length: 48")	2	
F	U-Tube	12	
G	Corner piece	4	
H	U-Tube connector	24	

Skimmer parts



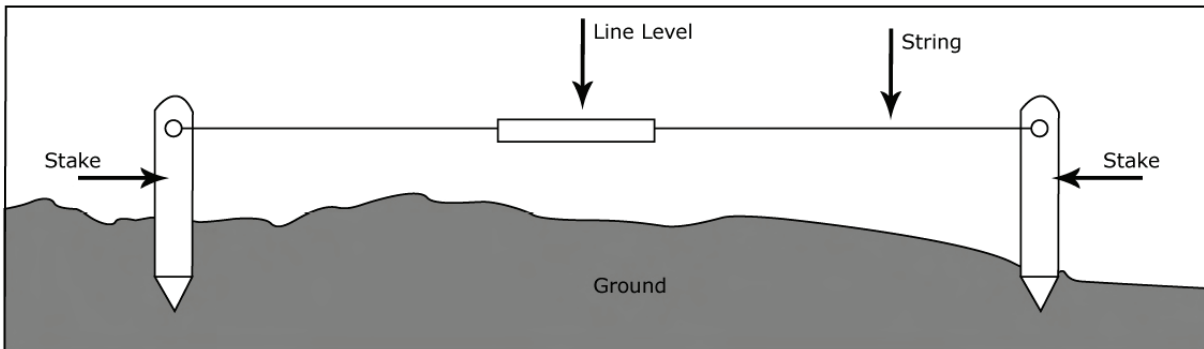


A. POOL SIZE / SPACE REQUIRED.

It is recommended to allow an additional 18" of space around the perimeter of your portable pool. For example: a 10' x 18' rectangle pool should have an area of 13' x 21'. The larger dimension (13' x 21') is referred to as the "foot print".

B. HOW DO I FIND LEVEL?

It is important that your pool be placed on level ground. Though your pool can tolerate being slightly out of level, it is best for proper filtration, as well as visual concern, to have your pool as level as possible. Here is a simple way to how to find level ground:



You will need:

- **Two** small wooden stakes
 - Length of string, two feet longer than the longest dimension of the pool
 - **One** "Line level" (can be purchased from any hardware store for about \$2.00)
1. Simply set one stake into the ground at one end of where the pool will be, and the other stake at the other end.
 2. Tie the string stretched between both stakes, making sure it is stretched tight.
 3. Now set the line level in approximately the center of the string.
 4. Tap either stake further into the ground to level the string at both ends.
 5. Now measure the distance from the ground to the string at both ends. If one measurement is 5" at one stake, and 7" at the other stake, then you're only 2" off level.

C. SURFACE PREPARATION:

If there is grass in this area, we recommend removing grass and any foliage prior to assembly of the pool. In addition to removing grass, it is recommended to add 2 to 3 inches of washed plaster sand or Happy Bottom ® pad for additional protection of the pool liner prior to assembly. (Happy Bottom ® can be purchased from your local dealer)

D. Base support:

We always recommend supporting the vertical uprights with concrete or pressure treated wood base. Failure to use support base may result in structural failure which is not covered by the warranty.



Step 1:

Locate the area most suited for setting up the pool. Clear it of any sharp objects or debris and level it to zero as explained on the “Preparing the ground” page. If the pool is assembled on unlevelled ground, it may suffer permanent structural warping or damage the liner.

Step 2:

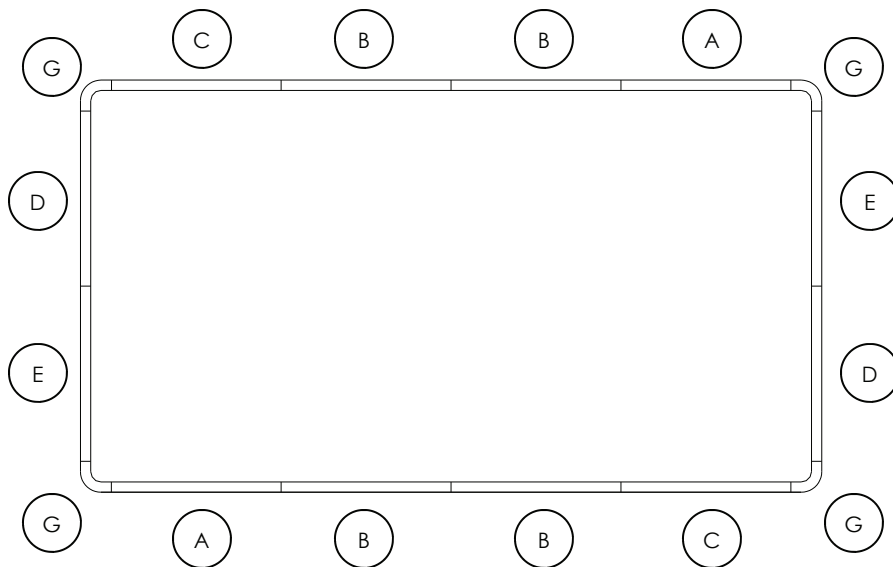
Remove the liner from the box marked “liner” and place it at the center of the area where you plan to assemble the pool. Take care not to damage the liner when opening the box. **DO NOT USE SHARP OBJECTS TO OPEN THE BOX THAT CONTAINS THE LINER.**

Step 3:

Unfold the liner. Locate the place where the pump and filter system will be connected and position the 2 circular openings on the side where you intend on placing the pump and filter.

Step 4:

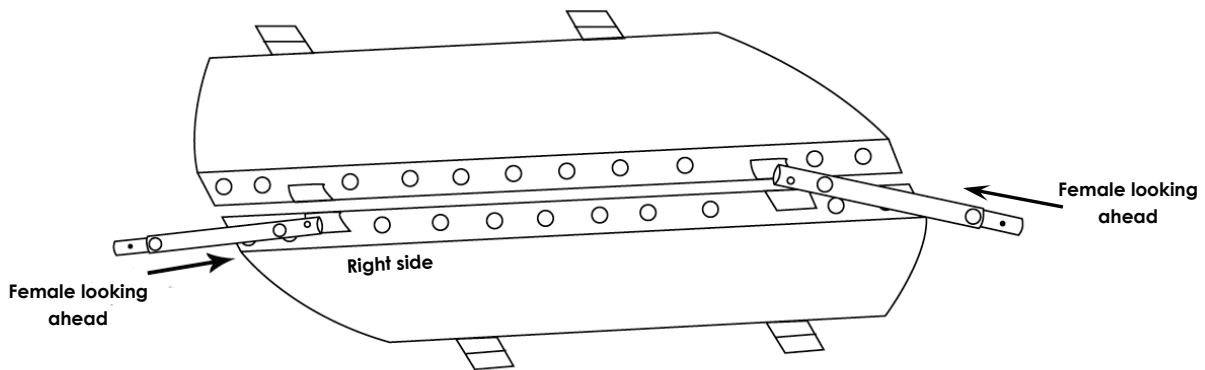
Remove the upper frame (parts a, b, c, d, e, and g) from the box marked “frame”. At this point you will not need any “U tubes” (part f) or “U tube connectors” (part h). Lay all of the upper frame out in the order indicated below. Each frame piece will be clearly marked with the corresponding letter.





Step 5:

Assembling the long sides first: Starting from the side at your **Right**, insert into the rectangular big opening corner of the pool, the “c” top rail with the **female** end looking ahead. (Make sure to start from the right lateral side. This will allow the corners to fit correctly). Insert the rest of the pipes one at a time, in order to the diagram on the previous page and make sure they are locked correctly. You will hear a “click” when they are properly positioned. Make sure all holes in the pipes coincide with the openings on the sleeve of the liner. Repeat this operation with the opposite long lateral.



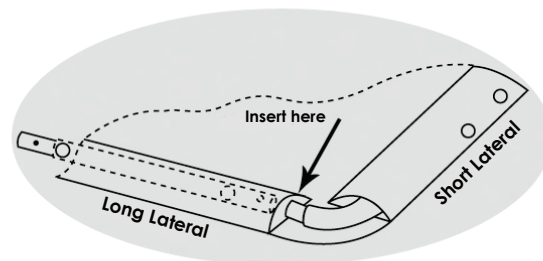
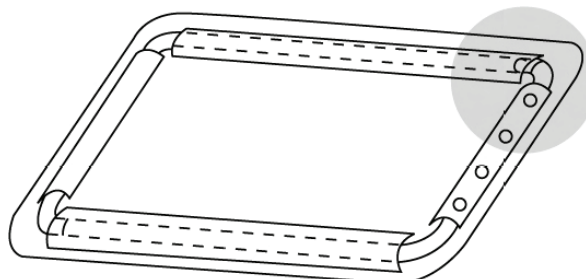
Step 6:

Assembling the short sides: Take a long lateral top rail and extend it outwards, (2 people do it better). Repeat with the opposite long lateral top rail. As you did in step 5, insert the top rails into the sleeve, starting from the **right** and with the **female** end looking ahead. Insert one pipe at a time in order to the diagram on the previous page making sure you hear “click”. Repeat this operation with the opposite short lateral.

Step 7:

To finish with the assembly of the top rail, **insert the corner pipe with the female end into the male end** of the top rail.

IMPORTANT TIP: Make sure to finish top rail assembly by inserting the last corner piece , **male end last**. This step is very important as the corner piece is designed with an off set. Failure to follow the instructions may result in tearing of the material. **Do not force corner piece, material will not stretch! Make sure to finish with the male end last!**



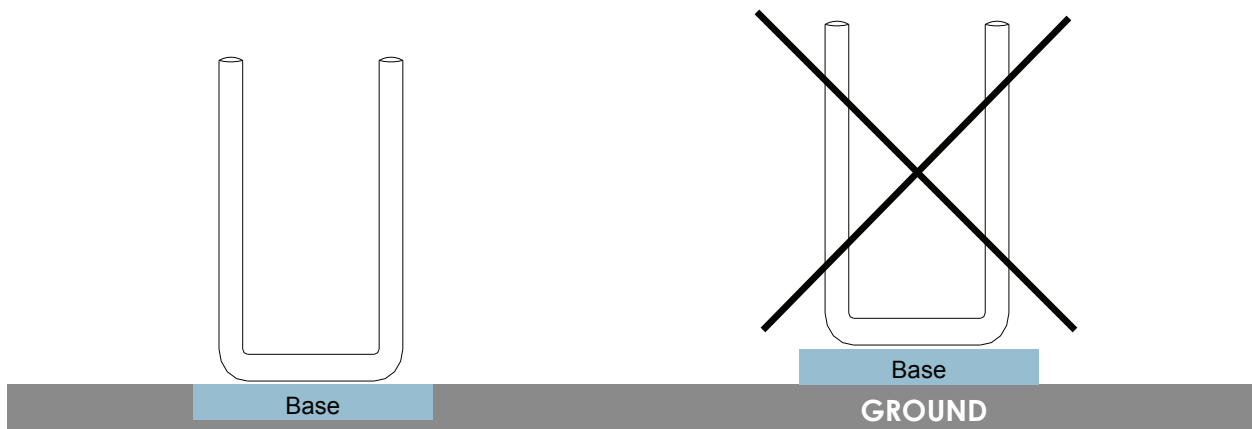


Step 7:

Pull grids under liner outwards. Insert “U tubes” in every grid and place a “U tube connector” on each end of the “U tube”. Two people should lift one short lateral top rail of the pool while a third person places the tip of the “U tube connectors into the corresponding holes in the underside of the top rail. The pool will remain standing, which will make it easier to fit the rest of the “U tubes” into the top rail.

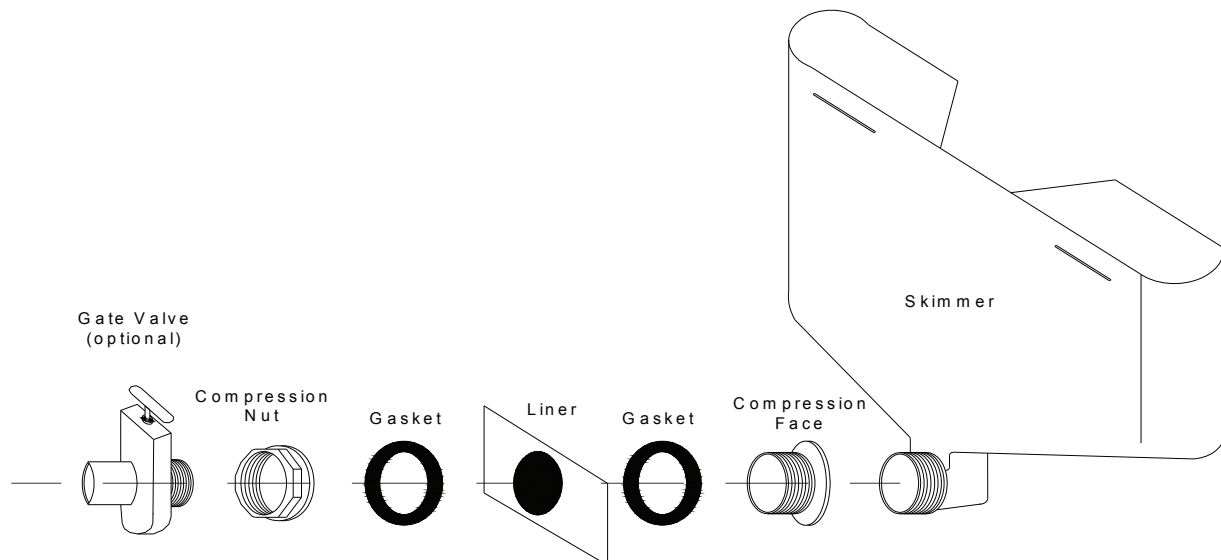
Special note: Once you finish, make sure the liner fits comfortably on the structure. Go around the pool to check that the framework is assembled correctly. Once you start filling the pool with water, you will not be able to make any changes.

IMPORTANT: Make sure to place a support base of concrete or treated wood under each vertical upright as correctly shown below.



Step 8:

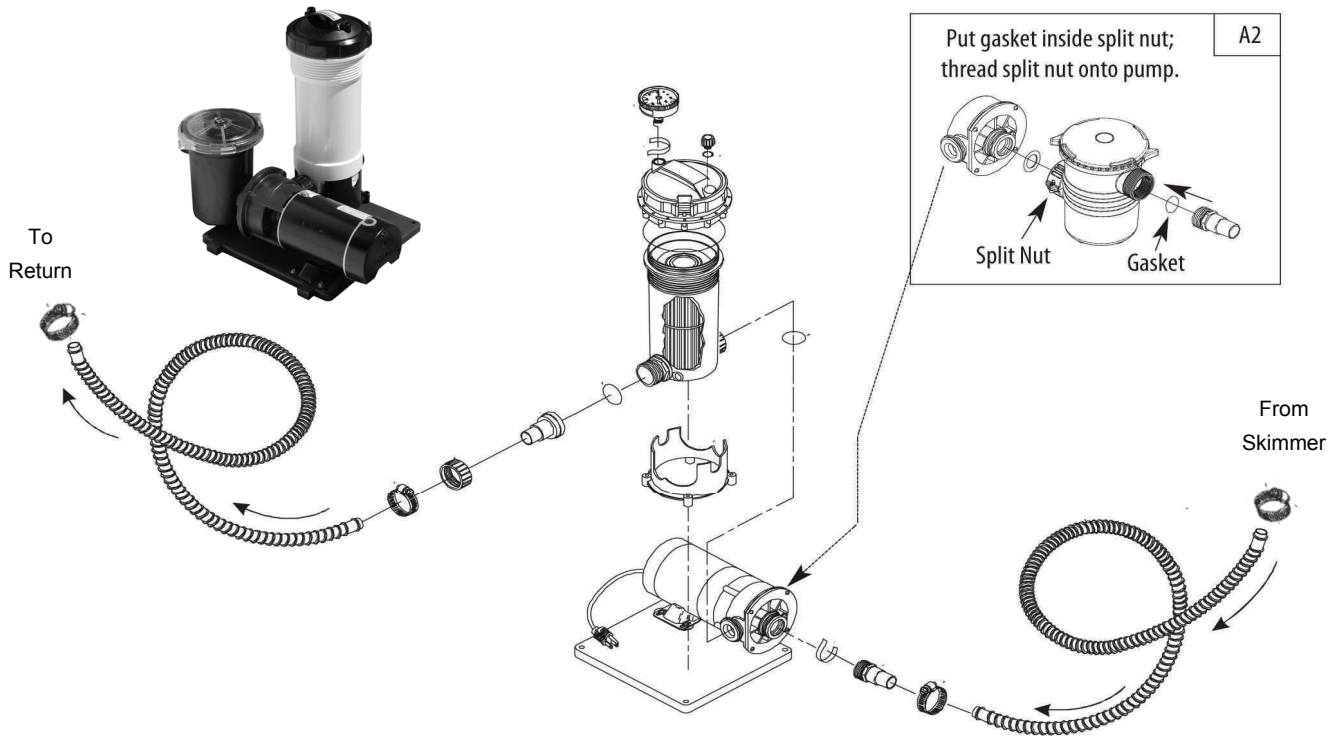
Now that you’ve completed the pool assembly, its time to install the skimmer and return fittings. Follow the diagram below. Once the skimmer has been properly assembled, insert the 2 skimmer straps through the openings on the skimmer and buckle them securely to the loops on the pool liner.





Step 8:

With the skimmer and return fittings now in place, assemble the pump and filter package and connect the hoses according to the diagram below. (Equipment may vary by dealer)



Step 9:

Before you start filling the pool with water, assemble and secure the ladder with the ladder straps included. Refer to the ladder instructions for assembly procedures.

Enjoy:

You have now completed the installation process and are ready to start enjoying the benefits of pool ownership. Be sure to retain this manual for future reference.

Disassembling the pool:

Step 1:

Drain pool completely and dry all moisture off of the liner. This will prevent mildew or algae growth while in storage:

Step 2:

Remove all top rails, corner pieces, U tubes, and U tube connectors and store.

Step 3:

Make sure that all of your pool items are stored in a cool dry place without sun exposure.

FAMILY FUN FOR EVERYONE



SPLASH-A-ROUND POOLS™

9292 Ninth Street

Rancho Cucamonga, CA 91730

(909) 980-7709

www.splasharoundpools.com

Five Year - *Quik Swim™* Pool Pro-Rated Limited Warranty

This warranty covers the pool only supplied by Splash-A-Round Pools (SARP), which includes the metal superstructure and the polyester reinforced membrane water container structure. Excluded from this warranty are ladders, pumps and electric motors, which are warranted by their manufacturer. To validate this limited warranty, the pool must be registered with SARP. Please provide all the information requested on the warranty registration form and mail within 20 days of purchase.

WARNING:



Never jump or dive into pool.

Horseplay of any kind in pool
may result in spinal or fatal injury.

Adult supervision is required at all times.



To obtain performance under this warranty, first contact the dealer from whom the product was purchased. The dealer is charged with the responsibility of determining, beyond a reasonable doubt, that the defect was one created by the manufacturer. The dealer may correct the defect or arrange to send the damaged / defective component back to SARP for repair (freight prepaid by pool owner).

SARP are designed for your swimming enjoyment. Entry and exit from your pool should only be by a proper above ground swimming pool ladder. **DO NOT DIVE OR JUMP!**

FIVE YEAR LIMITED WARRANTY REGISTRATION CERTIFICATE

This card must be mailed within 20 days of your purchase

P.O.# _____

Serial # _____

Pool Size _____

Buyer (please print) _____

Dealer _____

Address _____

City _____

State _____ Zip _____

Your phone # _____

Price Paid _____

Purchaser's Signature _____

Date purchased _____

Pool was purchased because of:

- Suggestion of dealer
- Advertising
- Your own evaluation
- Referral

Send information on the following:

- Solar / winter cover
- Fountains
- Automatic cleaners
- Kit decking
- Pool light
- Automatic chlorination

1. This warranty is extended to the original purchaser (consumer) only and is non-transferable.
2. This limited warranty covers only the pool supplied by SARP.
3. This SARP warranty provides prorated coverage over a five (5) year period, only on the welded seams and metal frame. If any defect in workmanship on the welded seams or metal frame is confirmed by the dealer and/or SARP and is reported to the dealer and/or SARP, the parts will be replaced or repaired at the applicable prorated cost. If a determination of defect cannot be confirmed by the local dealer, the purchaser may be required to send the part(s) to SARP. The purchaser, at their expense, and after prior authorization from SARP, should clean, package and send the part(s) to SARP. If, at the sole discretion of SARP, there is determined to be a manufacturing defect, the part(s) will be replaced or repaired, at SARP's option, and the applicable return freight may be reimbursed. Any part(s) found defective in the first year from the date of purchase will be repaired or replaced free of charge. For the next four (4) years, part(s) found to have a manufacturing defect will be replaced at the then existing manufacturer's suggested retail price prorated by applying the percentage listed below for the appropriate year. During the five (5) year period, the purchaser is responsible for paying the below indicated percentage of the then current list price of the warranty covered item:

2nd Year: 50% 3rd Year: 75% 4th Year: 80% 5th Year: 90%

Freight for the new or repaired part(s) will be billed collect. A cashier's check or money order covering the cost of the new or repaired part(s) will be required prior to the shipment from SARP.

4. Failure or refusal of the purchaser to allow dealer and/or SARP to inspect the product claimed defective (at dealer's and/or SARP business location) shall render this warranty null and void. SARP cannot be responsible for damage to the part(s) caused by the purchaser or installer.
5. This warranty is null and void if the design of this product is altered in any way. The pool must be assembled according to the factory instructions with no alterations to any parts. The pool is designed to be installed as an above ground portable pool. Burying the pool below the surface of the ground voids this warranty.
6. SARP assumes no responsibility for errors in installation by the purchaser or by a hired installer. If the pool is installed by someone other than the purchaser, it is the purchaser's responsibility to supervise the installation to be sure that the SARP installation instructions are followed.
7. Accidental, consequential or other damages will not be paid by SARP, including but not limited to, the COST OF LABOR AND / OR WATER OR CHEMICAL LOSS OR ANY DAMAGES THAT MAY OCCUR THEREFROM.
8. Pool must not be installed over nut grass.
9. A pool left standing empty is exposed to potential severe damage. Such damage is not covered by this warranty. If the pool is emptied, it should be disassembled and properly stored immediately.
10. Damage to the liner or frame from ice if not winterized properly is not covered by this warranty.
11. Pool must be assembled on level ground or level surface. Support for vertical uprights must be placed on ground in accordance with assembly instructions. If not, this warranty is null and void.
12. All objects (rocks, sticks, etc.) must be cleared from the area the pool is to be installed on.
13. SARP is not responsible for damage to the pool due to improper use of chemicals, lack of maintenance or improper use of chlorine tablets. Caution should be used with tri-chlor tablets as direct contact can damage the pools liner.
14. Warranty Exclusions: Misuse of chemicals which cause fading, staining, shrinking, wrinkling, tears, rips, cuts, punctures, dry rot, sun rot, negligence, alterations, improper installation or assembly, aesthetic tears or rips caused by any type of undue stress or during assembly / disassembly, aesthetic blemishes or tears not compromising structure or pools ability to hold water, vandalism, civil disturbance or acts of god such as wind blown debris, grass growing through liner, accidental or malicious damage to liner, or a product used for commercial or institutional purposes..
15. To validate warranty, purchaser must return warranty form within 20 days from purchase.

Return Address

Place first
class
postage
here

SPLASH-A-ROUND POOLS™

9292 Ninth Street

Rancho Cucamonga, CA 91730

www.splasharoundpools.com