



**Product Submittal for ASME
Digital/Millivolt Atmospheric
Gas Pool Heaters
Models B-R206A – B-R406A**

Job: _____ Date: _____

Engineer: _____ Model: _____ Indoor/Outdoor

Contractor: _____

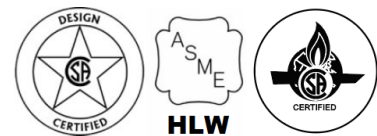
Prepared by: _____

Features:

- 82% Efficiency
- ASME Code Bronze Headers
- ASME Code Copper-Fin Tube
- 75 lb. Pressure Relief Valve
- Small Footprint
- Unitherm Governor Anti-Condensation Control
- Indoor/Outdoor
- Proudly Assembled in the USA



Digital model with outdoor top shown



Heat exchanger

- ASME HLW stamped; 100 PSIG MAWP
- National board registered
- Bronze headers
- Finned tubing
 - Copper (standard)
 - Cupronickel (optional, digital units only)
- ASME Steel tube sheet
- Silicone O-rings
- Fixed high limit, auto reset, 160°F
- Fixed high limit, manual reset, 135°F
- 75 PSIG Pressure relief valve
- Water connections
 - Right hand (standard)
 - Left hand (optional-field change)
- Flow configuration (two-pass)

Controls

- Millivolt option
 - Standing pilot ignition
 - Thermopile generator
 - Single mechanical temperature control
 - Flame rollout switch
 - High limit control
 - On/off switch
 - Water pressure switch
- Digital option
 - 120/240V, 60Hz, 1 Ph power supply
 - 120/240/24V Transformer
 - 100% Pilot shut-off; lockout (propane only)
 - Electronic, intermittent ignition pilot (IID)
 - High limit control
 - On/off switch
 - Flame rollout switch
 - Water pressure switch
 - Dual electronic temp sensor
 - Digital display with diagnostics

Gas control train

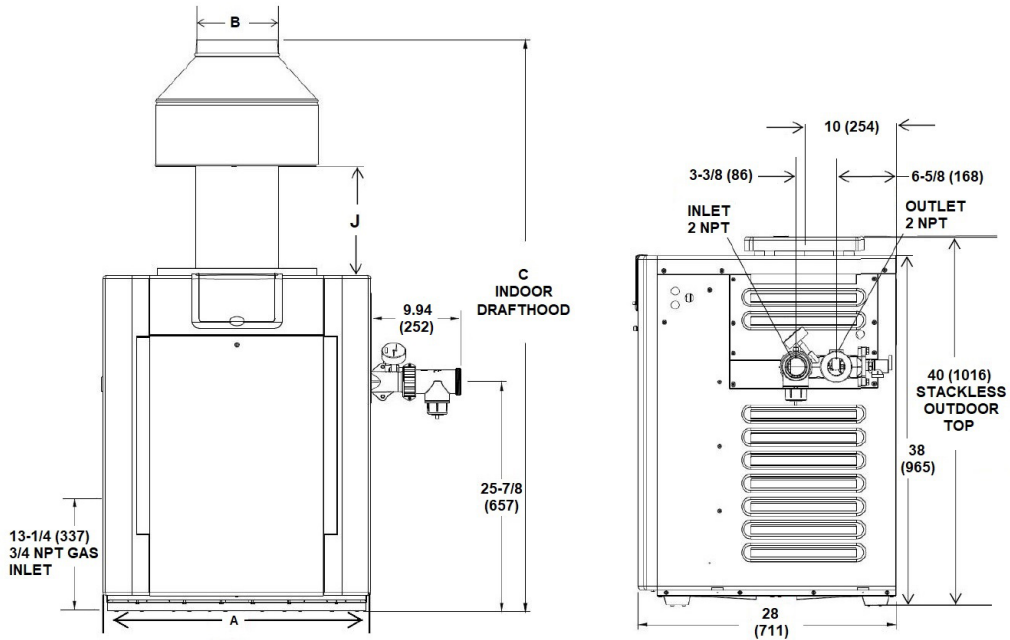
- Fuel
 - Natural gas
 - Propane (minimum grade HD-5)
- Combination control valve
- On/off firing

Construction

- Front controls
- ANSI Z21.56 design certified
- Stainless steel burners
- Polytuf powder coat finish
- Indoor/outdoor
- Can be installed on combustible surface
- Venting
 - Outdoor stackless top (included)
 - D-2 Power vent indoor, loose (optional for digital models, see 1000.70)
 - D-10 Indoor draft diverter, loose (optional)
 - D-13 High wind top (optional, outdoor)
 - Outdoor high wind stack (optional)

Other options

- PoolStat cover/lock kit
- X-10 Restraint bracket (Florida code requirement)



Heater Model	MBTUH (kWh) Input	Dimensions in. (mm)				Shipping Weights lbs. (kg)	
		Cabinet Width (A)	Flue Dia. (B)	Indoor Draft Hood (C)	Draft Relief Height (J)	Heater with Stackless Top	Indoor Draft Hood
B-R206A	199.5 (58.47)	20 (508)	6 (152)	61.63 (1565)	11.75 (298)	212 (96.16)	14 (6.35)
B-R266A	266.0 (77.96)	23 (584)	7 (178)	62 (1575)	11 (279)	235 (106.59)	16 (7.26)
B-R336A	332.5 (97.45)	26 (660)	8 (203)	63 (1600)	10.63 (270)	250 (113.39)	19 (8.62)
B-R406A	399.0 (117)	29 (736)	9 (229)	64.5 (1638)	12.13 (308)	269 (122)	21 (9.52)

Notes:

1. Model number suffix indicates pilot type (E = digital, M = millivolt), fuel type (P = propane, N = natural gas) and tube material (C = copper, X = cupronickel). Example: Model number B-R406A-EN-C indicates a unit with digital (IID) ignition using natural gas with copper tubes.
2. Ratings are for natural gas and elevations up to 2,000 feet above sea level. Reduce input 4% for each 1,000 feet above sea level when installed at over 2,000 feet elevation.