

12" SQUARE RETROFIT MOFLOW® SUCTION OUTLET COVER



Certified to
NSF/ANSI/CAN 50
ANSI/APSP/ICC-16 2017

Open Area
69.1 in²

For SOFA Specific Flow Ratings and
specifications please scan QR code or visit
www.aquastarpoolproducts.com/flowcode



FEATURES

For retrofit only, does not include mud frame

Easily and safely retrofits to most brands' 1" deep 12" square existing frames, does not include mud frame

Certified, Listed, and Labeled in conformance with APSP/ANSI/ICC-16 2017 and NSF/ANSI/CAN 50 standards

#316 stainless steel screws

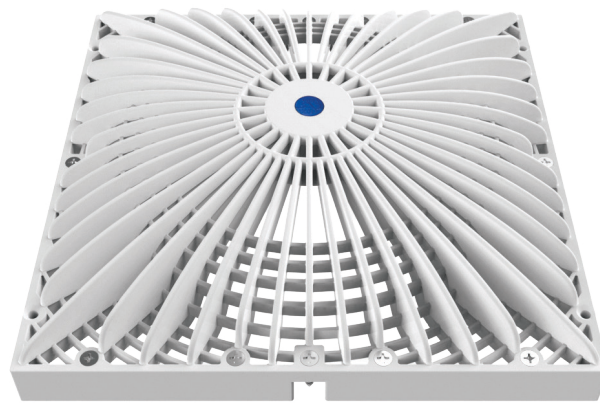
Manufactured from superior UV-resistant engineered polymers

Trademarked VGBA compliance button easily identifies VGBA 2017 compliant cover from on deck and underwater

Online product support including downloadable General Certificate of Conformity, third-party certificate, installation instructions and more

Replace drain cover every five years from the date of installation

10 per case

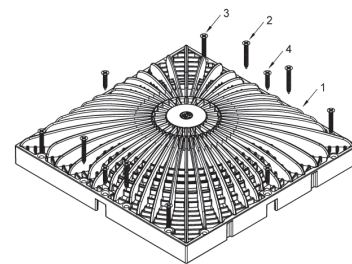
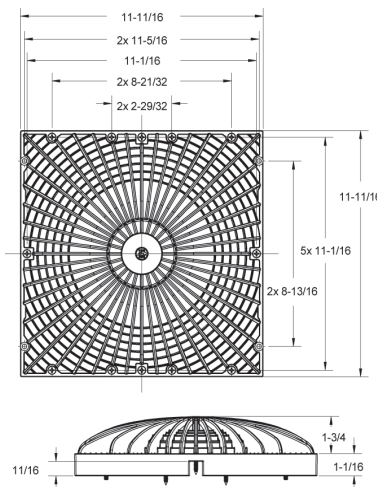


Part # R12MFxxx

Designed to replace off-standard 12" square covers that fit into mud frames that are 1" deep

STANDARD COLORS

- R12MF101 – White
- R12MF102 – Black
- R12MF103 – Light Gray
- R12MF105 – Dark Gray
- R12MF108 – Tan



1. 12" Square Retrofit MoFlow Suction Outlet Cover
2. 10 x 1-1/2" Flat Head Phillips, 316 SS, Qty 4
3. 10-24 x 1-1/4" Flat Head Phillips, 316 SS, Qty 4
4. 10 x 1" Flat Head Phillips, 316 SS, Qty 4

P 877-768-2717 F 877-276-POOL Outside the US: P +1-949-336-1940 F +1-949-336-1940
info@aquastarpoolproducts.com www.aquastarpoolproducts.com