

# 18" SQUARE MUD FRAME WITH FOUR 9" SQUARE MOFLOW® SUCTION OUTLET COVERS



**VGBA CERTIFIED SPECIFICATIONS**

**Open Area**  
147.1 in<sup>2</sup>

For SOFA Specific Flow Ratings and specifications please scan QR code or visit [www.aquastarpoolproducts.com/flowcode](http://www.aquastarpoolproducts.com/flowcode)



## FEATURES

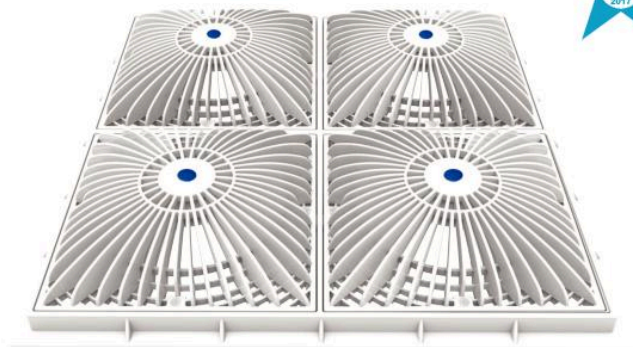
Certified, Listed, and Labeled in conformance with APSP/ANSI/ICC-16 2017 and NSF/ANSI/CAN 50 standards

Manufactured from superior UV-resistant engineered polymers  
#316 stainless steel screws

Online product support including downloadable CAD files, General Certificate of Conformity, third-party certificate, installation instructions and more

Trademarked VGBA compliance button easily identifies VGBA 2017 compliant cover from on deck and underwater

Replace drain cover every five years from the date of installation  
4 per case



Designed to replace standard 18" square 2 x 2 grid cover assemblies that have four 9" square covers with 8 1/4" center-to-center screw hole measurement with 3/4" deep existing frames

Part # 18MFxxx

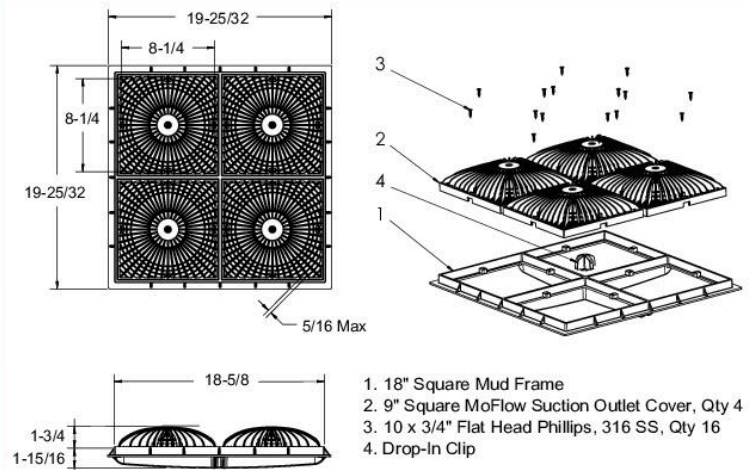
## STANDARD COLORS

- 18MF101 – White
- 18MF102 – Black
- 18MF103 – Light Gray
- 18MF105 – Dark Gray
- 18MF108 – Tan

Also available with four grates only for 3/4" deep retrofits  
p/n 18MNFxxx  
1 per case

Also available as frame only  
p/n 18FRxxx  
6 per case

**VGBA 2017 Compliant**



P 877-768-2717 F 877-276-POOL Outside the US: P +1-949-336-1940 F +1-949-336-1940  
info@aquastarpoolproducts.com www.aquastarpoolproducts.com CS010-011624