

FEATURES

Fits 2" or 2½" threaded fittings

Ideal for vinyl, fiberglass and steel installations

Manufactured from superior engineered UV-resistant engineered polymers

Size p/n:
20NUT 101 – 2" NUT
25NUT 101 – 2½" NUT

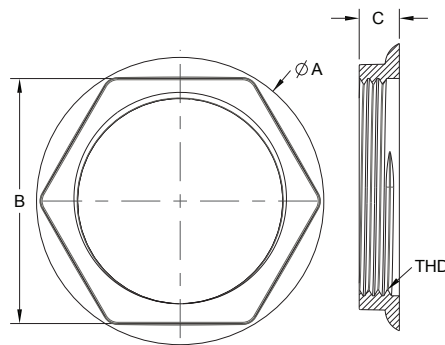
25 per case



Part # xxNUT101

STANDARD COLORS

- 101
- 104
- 102
- 105
- 103
- 108



	dimension A	dimension B	dimension C	THD
20nut	3-15/32"	2-5/8"	5/8"	2" NPSC
25nut	3-25/32"	3-1/4"	17/32"	2-1/2" NPSC