

**FEATURES**

Fits 2" or 2½" threaded fittings

Ideal for vinyl, fiberglass and steel installations

Manufactured from superior engineered UV-resistant engineered polymers

Size p/n:

20GASKET – 2" GASKET  
25GASKET – 2½" GASKET

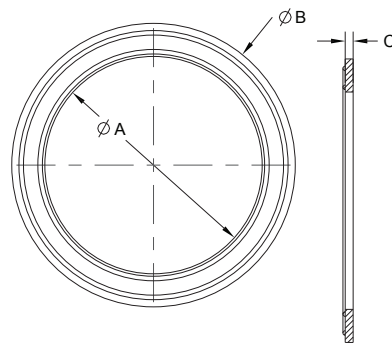
25 per case



Part # xxGASKET

**STANDARD COLORS**

- 101
- 104
- 102
- 105
- 103
- 108



|          | dimension A | dimension B | dimension C |
|----------|-------------|-------------|-------------|
| 20gasket | 2-3/8"      | 3-7/16"     | 1/8"        |
| 25gasket | 2-7/8"      | 3-3/4"      | 1/8"        |