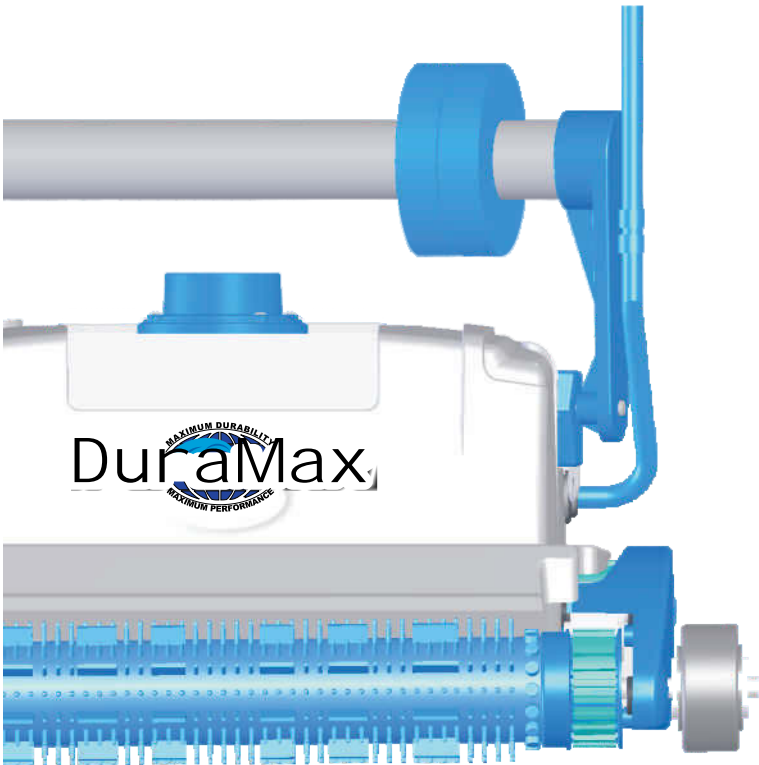
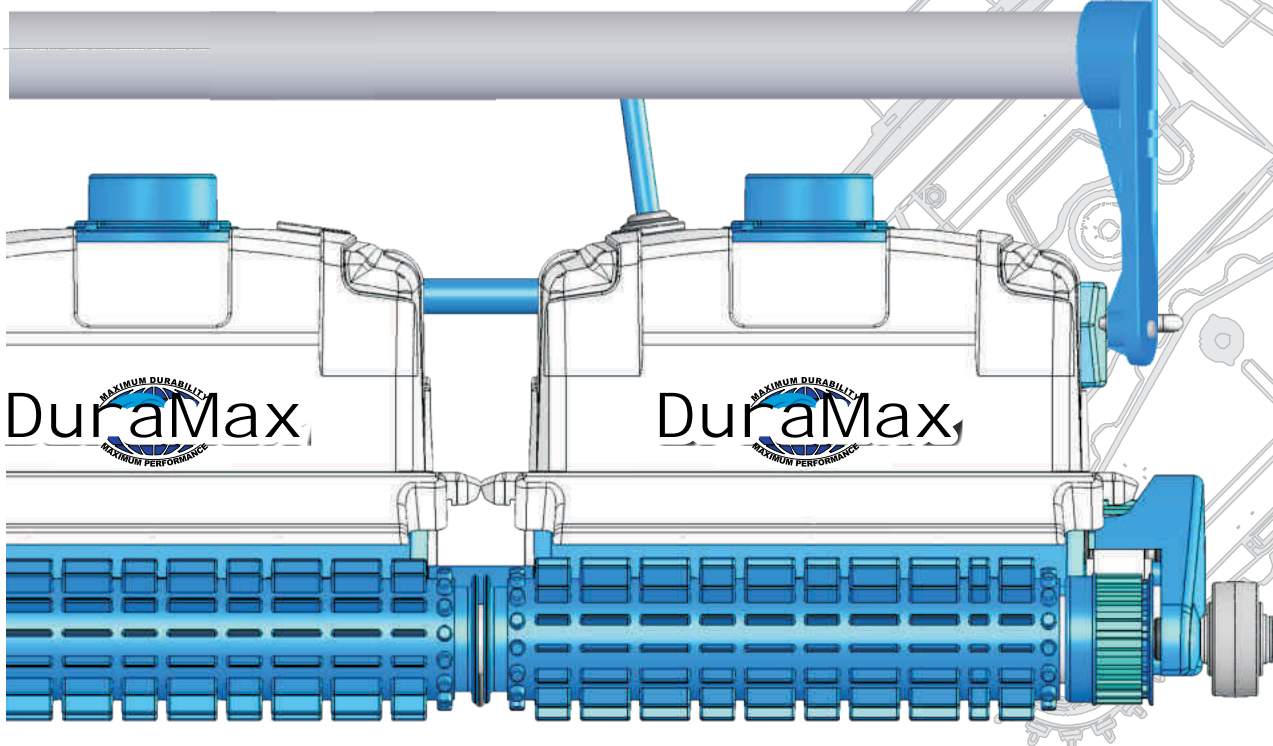


DuraMax



- DuraMax Jr. HT
- DuraMax Jr. T RC
- DuraMax
- DuraMax Bi-Turbo T RC
- DuraMax Bi-Turbo T2
- DuraMax RC
- DuraMax Duo Jr.
- DuraMax Duo
- DuraMax Trio



IMPORTANT INFORMATION

MAKE A RECORD FOR FUTURE USE

Model _____

Purchase Date _____

Place Purchased _____

Serial Number _____

Note: Serial number can be found on the warrantee card or on the packing carton.

DuraMAX
Jr. HT



DuraMAX
Jr. T RC



DuraMAX



DuraMAX
BiTurboT RC



DuraMAX
BiTurbo T2



DuraMAX
RC



DuraMAX
Duo Jr.



DuraMAX
Duo



DuraMAX
Trio



QUESTIONS ?

1-888-AQUATECH (888-278-2832)
For Technical Support
FAX: 973-857-0261

INTERNET

For online support and product information
visit www.AquaProducts.com/Service



Before performing any troubleshooting or maintenance procedures on your cleaner, it should be disconnected from the Power Supply (transformer) and the Power Supply should be unplugged from the electrical outlet to prevent the possibility of personal injury or damage to the cleaner.

Always Unplug your Power Supply when not in use to prevent accidental starts.

Never operate the cleaner out of the water. Doing so will cause severe damage to the motor and void the product Warranty.



Water temperature and chemical composition changes can greatly affect the buoyancy of your cleaner. Therefore, if you have previously installed floatation devices in your cleaner to assist its buoyancy, it may be necessary to remove the devices one by-one until proper buoyancy is restored.

Never lift your cleaner out of the pool using the Floating Cable. You may use the Floating Cable to pull the cleaner to the side of the pool, but always use the Floating Handle to remove it from the pool. Pulling on the Floating Cable to remove the cleaner from the pool will result in internal connections being broken and severe damage being caused to your cleaner.

Never Swim While Cleaner Is In Use

**Please Read The Entire Manual Carefully Before
Using Your Automatic Commercial Pool Cleaner**

CAUTION

RISK OF ELECTRIC SHOCK
DO NOT REMOVE TRANSFORMER
COVER. NO USER-SERVICABLE
PARTS INSIDE.



This symbol is intended to alert the user to the presence of "dangerous voltage" within the product's enclosure that may be of sufficient magnitude to constitute a risk of electric shock to persons.



This symbol is intended to alert the user to the presence of important operating and maintenance (servicing) instructions in the literature accompanying the appliance.

Robotic Commercial Pool Cleaner

For Commercial - Public Swimming Pools

COMPONENTS OVERVIEW



To Operate Cleaner

- (1) Locate a GFCI 110 V~ac. receptacle, and plug the Power Supply in.
- (2) Completely immerse the cleaner in water.
- (3) While the cleaner is in the water, gently tilt it side to side (fig3). This will allow any trapped air to escape through the pump outlets. Then, with a gentle push, allow the cleaner to sink to the bottom of the pool.



NOTE: If the cleaner does not sink to the bottom of the pool, it's a result of trapped air. This air must be removed for proper operation.

- (4) Uncoil the floating cable fully and spread it over the surface of the water as evenly as possible. Make sure the cable has no tangles or kinks.
- (5) To start the Commercial Pool Cleaner, press the Power Supply ON/OFF switch to the On position. If your Power Supply is equipped with an adjustable Timer you can now select the length of the cleaning cycle and press the Reset button to start the cleaner.

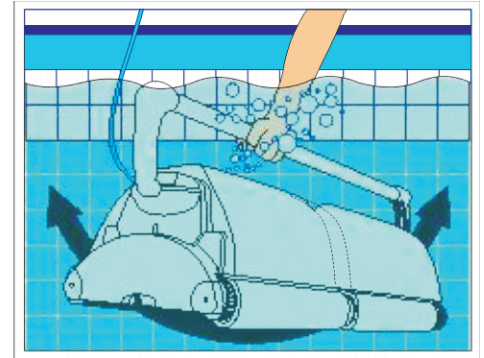


Fig.3

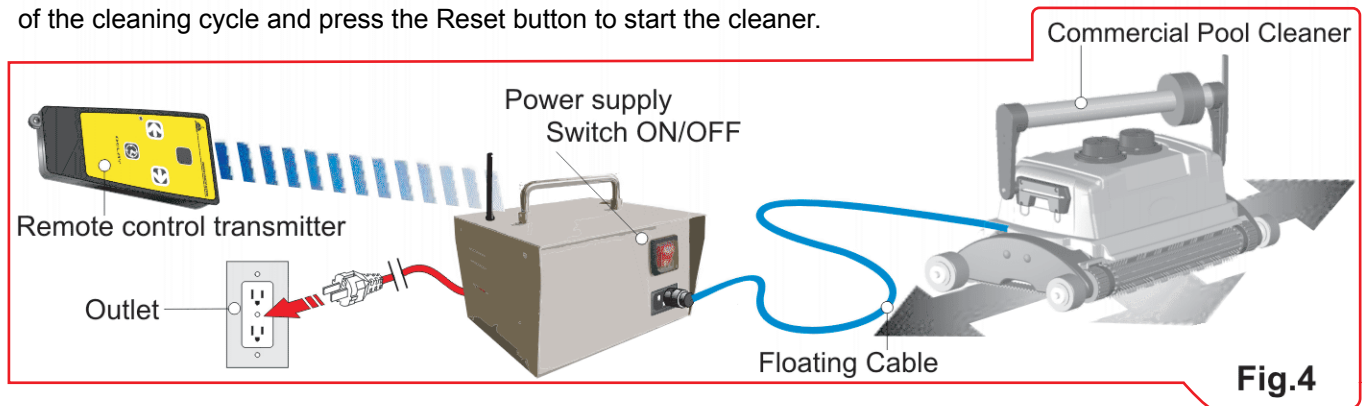


Fig.4

To Maintain and Protect your Cleaner

- Shut off and unplug power supply every time you remove the cleaner from the water.
- Clean your filter bag after every cleaning cycle.
- Replace worn brushes to ensure maximum cleaning performance.
- Save your cleaner's packaging materials for off-season storage or if shipping to your dealer if service is required.
- Clean the unit with fresh water after every cleaning cycle. This will wash the cleaner free of chlorine or other chemicals found in the pool, extending the life of all the cleaner's components.
- Do not leave your cleaner or power supply in direct sunlight when not in use.
- Periodically straighten out the cable using the E-Z Swivel

CABLE USE AND CARE

The cable may become twisted after a period of time in use. To correct this condition, simply lock the moveable handle on the top of the cleaner in the opposite diagonal direction. The Commercial Pool Cleaner will now travel in the opposite direction while cleaning your pool and the cable will uncoil.



Using the Floating Cable to lift the cleaner out of the water will cause severe damage!

OPERATING INSTRUCTIONS



Check the cable periodically for external damage. Continual rubbing against sharp or rough surfaces may abrade the Floating Cable resulting in damage and possible short-circuiting of the cleaner.

Filter Bag

Lay the cleaner on its back on a soft surface to avoid scratching it. Gently pull-on the Lock Tab on one end or side of the Bottom Lid freeing one end of the Bottom Lid. Repeat this procedure on the other end and remove the Bottom Lid Assembly . Remove the

Filter Bag from the “W” Frames, turn it inside out and wash off all the dirt with a garden hose or in a bucket. Squeeze

the Bag gently until the rinse water is clear. If necessary, machine wash (Gentle Cycle only) the Bag using only cold

water with *NO DETERGENT*. You may re-install the bag immediately or allow it to air dry (never machine dry the Filter Bag). Re-install the Bag on the “W” frames of the Bottom Lid Assembly, making sure that the “felt” (soft) side is facing in.

To ensure a proper fit of the Filter Bag onto the Bottom Lid Assembly, locate the small Label near the Filter Bag's elastic bottom (Ref 2.1). Position the Filter Bag so that the small Label is at the center of either long side of the Bottom Lid.

Then pull the elastic bottom over each Wire and slide the Filter Bag down along the Wires until the Bag reaches the Bottom Lid. At that point, the Filter Bag's elastic bottom should be stretched over the plastic ridges located at opposing ends of the short sides of the Bottom Lid. This holds the Filter Bag in place. Press down on top of the Filter Bag where each of the four “U” shaped slots on the Wire Frame are located. This will pull the Filter Bag corners to the corners of the Wire Frame. Re-install the Bottom Lid Assembly into the bottom of the cleaner. Be sure that the Filter Bag's fabric is not interfering with the locking of the Lock Tabs.

The cleaner's Filter Bag can filter out particles down to 20 times smaller than many main filters. This means that the fine particles such as algae and bacteria, invisible to the naked eye, which slip through the main filter and back into the pool to settle into the pores of the pool's surface, will be scrubbed loose and vacuumed up by the cleaner and retained in its Filter Bag. When the Filter Bag becomes saturated with debris, the flow of water through it becomes restricted and suction is reduced. Strong water flow is required to force the cleaner against the wall when climbing. A dirty Filter Bag also weighs the cleaner down, making it hard for the cleaner to climb due to the added weight and reduced water flow.

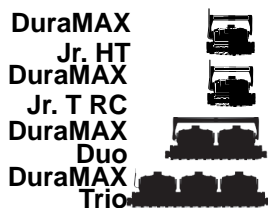


Temperature and chemical composition changes can greatly affect the buoyancy of your cleaner.

Therefore, if you have previously installed floatation devices in your cleaner to assist its buoyancy, it may be necessary to remove the devices one by-one until proper buoyancy is restored.

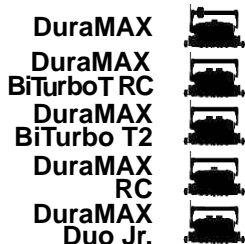
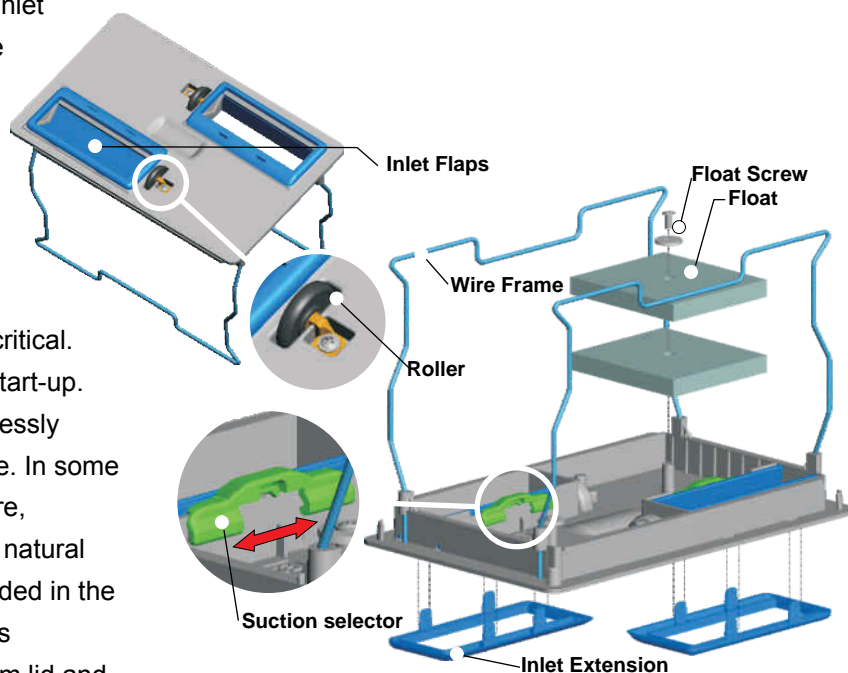
OPERATING INSTRUCTIONS

BOTTOM LID ASSEMBLY

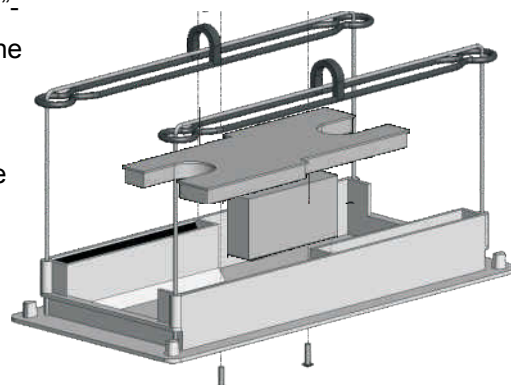


The Bottom Lid Assembly has several options that will permit you to control the way the cleaner operates. The bottom lid consists of six parts. **(1)** Two rollers are located adjacent to the inlets. This prevents the cleaner from being stuck on obstacles like drain covers. If they are not needed, the rollers may be removed by removing a single phillips screw. **(2)** The inlet extensions will lower the suction point of the cleaner. The lower the suction point, the greater the suction. Your cleaner comes with two sets of inlet extensions, 1/8" and 1/4". When using the inlet

extensions observe the cleaners operation in the pool to see if any obstacles interfere with the extensions. **(3)** Your cleaner offers the best possible performance when it is virtually weightless in your pool. So, careful balancing of its weight is important. Generally, a new cleaner is very light when used for the first time. Careful removal of air trapped in the housing is critical. Additional floatation is typically not required on start-up. Most pool conditions allow your cleaner to effortlessly climb the pool walls and stairs up to the waterline. In some instances the pool environment (e.g., temperature, chemicals, water, etc.) may offset your cleaner's natural buoyancy. Therefore, four floats have been included in the packaging with your new cleaner to assist with its buoyancy. **(4)** Located on the inside of the bottom lid and near the suction inlet is the Suction Selector Switch. If the selector switch is moved towards the "LESS" markings the inlet flaps will be kept from fully opening. This will increase the suction power of the cleaner, but will also restrict larger debris from entering the filter.



To Add Floatation: **(1)** Remove the two Screws from the "H"-Float. Then, place the "H"-Float, foam-side down, against the inside base of the Bottom Lid Assembly. Secure the "H"-Float with the two screws provided by fastening them from the outside of the Bottom Lid Assembly. This should provide adequate buoyancy. **(2)** Should your cleaner require more floatation, add the two remaining Pocket Floats. Pocket Floats do not require any screws or glue. Simply place them into the open rectangular cavities outside to the side of the Intake Flap housing.





AIR SENSOR

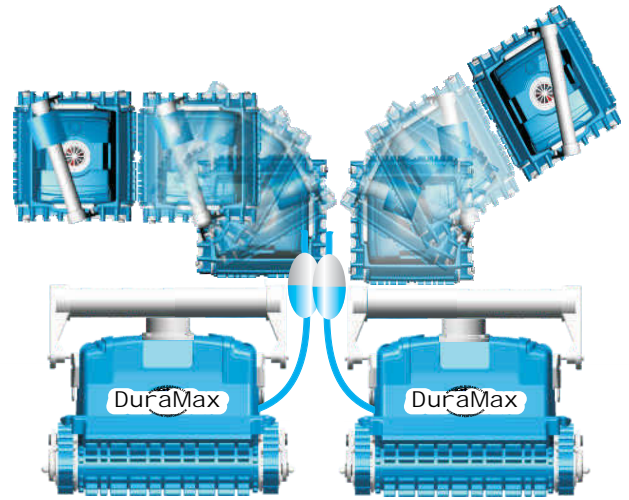
The DuraMAX™ line of cleaners has a sensor that permits the use of these cleaners in zero-depth entry pools. If the Robot leaves the water for any reason, the system will detect the fault and will attempt to return the robot to safe operating water level (Back to the pool).

OPERATING INSTRUCTIONS

DURAMAX Jr. HT, DURAMAX Jr. T RC, DURAMAX, DURAMAX BiTURBO T RC

DuraMAX Jr.HT  The **DuraMAX Jr. HT** program operates by shutting down the Pump Motor for a 6 second period during its operation. During this period the Cleaner will turn and then continue its cleaning cycle.

DuraMAX Jr. T RC  The **DuraMAX Jr. T RC** program operates by shutting down the Pump Motor for a 6 second period during its operation. During this period the Cleaner will turn and then continue its cleaning cycle.





FEATURES

If the machine for any reason gets stuck on the pool floor for more than 2 minutes or if the machine does not see a wall within 2 minutes it reverses itself..

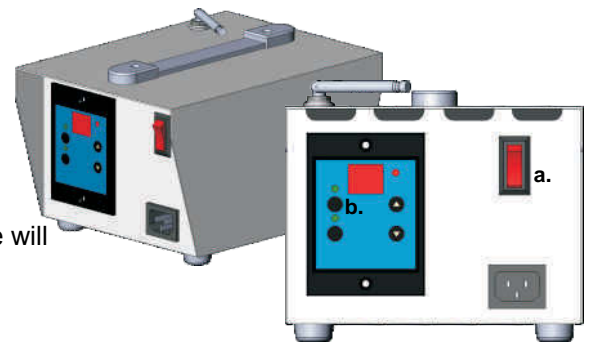
OPERATION

After the Power Supply main switch is turned on (fig. a) and the C-run/Reset Switch is pressed on the power supply,(fig.b) the machine will run a test sequence for the first 9 seconds. Then the machine will search for a wall. When it finds a wall the machine will climb the wall for 15 seconds, will reverse, go down the wall and move away from the wall for 21 seconds, it will reverse and go back towards the wall for 5 seconds. The pump will turn off and perform a turn. After this the pump will turn back on and will return again towards the wall. The machine will climb the wall for 2 seconds, reverse for 25 seconds and will reverse again. The machine will repeat this three times. On the fourth time the Cleaner will cross the pool to the opposite wall and repeat the first three actions moving in the opposite direction

DuraMAX  The cleaning pattern of the **DuraMAX** can be adjusted by the user by adjusting the foam float located on the floating handle. The further from center the float is located the further the cleaner will turn.

DuraMAX BiTurboT RC  The cleaning pattern of the **DuraMAX BiTurboT RC** can be adjusted by the user by adjusting the foam float located on the floating handle. The further from center the float is located the further the cleaner will turn.

Alternatively, the closer the float is towards the center a smaller angle can be achieved. To make the cleaner turn right the float should be located on the left side. To make the cleaner turn left locate the float on the right side. Rotating the float from side to side will keep the Cable from tangling



DURAMAX FEATURES

If for any reason the machine gets stuck on the pool floor for more than 2 minutes or if the machine does not see a wall within 2 minutes, it reverses itself. If for any reason the machine gets out of the water, it will reverse itself every 25 seconds. If the machine is on the pool wall and does get down to the pool floor, the machine will reverse itself after 30 seconds and then will reverse again after 30 seconds. If the machine remains on the wall or is up-side down for over 2 ½ minutes, the pump will turn off for 30 seconds and let the machine settle to the bottom of the pool. If during the next 30 seconds, the machine remains on the wall or up-side down the machine will shut down to protect the cleaner from harm.

OPERATING INSTRUCTIONS

DURAMAX BI-TURBO T2

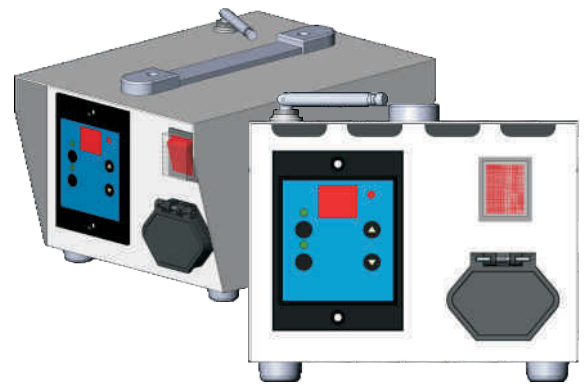
DURAMAX OPERATION

After the Power Supply main switch is turned on (fig. a) and the C-run/Reset Switch is pressed on the power supply,(fig.b) the machine will run a test sequence for the first 9 seconds. The default program for the DuraMax is floor only. The program can be changed using the R/C transmitter. (pressing the Turn Button, then turn the power supply ON and push the C-Run button on the Power Supply to put the Cleaner in the wall and Floor mode) When the unit is turned OFF the Power Supply will reset the Unit back to floor only mode. When the unit is in the *floor and wall mode*, the unit climbs the wall every 4th time for 15 seconds. Then the machine will search for a wall, it will reverse and go back towards the wall for 5 seconds, the pump will turn off and perform a turn. After this the pump will turn back on and will return again towards the wall. The machine will climb the wall for 2 seconds and reverse for 35 seconds and will reverse again. The machine will repeat this three times. On the fourth time the Cleaner will cross the pool to the opposite wall and repeat the first three actions moving in the opposite direction



REMOTE CONTROL

When using the Remote Control, fully extend the antenna on the transformer and aim the Transmitter towards the Power Supply. Make sure the antenna on the transformer is fully raised for best performance. Pressing the up and down arrow button will cause the cleaner to reverse direction and the "Turn" Button will guide your cleaner either Left or Right depending in what direction unit is traveling for as long as the button is being pressed.

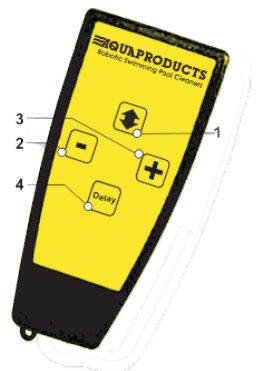


DuraMAX BiTurbo T2

DURAMAX BI-TURBO T2 has a *delayed start* feature where the machine can start cleaning the pool an hour after the Main Power Supply is turned on. This is done by switching the power supply on and pressing the delay button on the remote control.

The UP/DOWN button allows the machine to reverse itself both on the wall and floor. If for any reason the machine is stuck on the pool floor for more than 6 minutes or if the machine does not climb a wall within 6 minutes, it will reverse. If the machine climbs out of the water, it reverses itself every 25 seconds, until water is found. If water is not located within three minutes the cleaner will shut itself off.

The machine may be programed for *wall and floor or floor only cleaning*. The default mode is set to floor only. To change the mode to cleaning floor and wall, press the forward/reverse button on the remote control once then turn the Main Power Supply switch on and the floor only mode will be engaged. Turn the Main Power Supply switch on. The machine will first search for the wall. After it finds the wall, the machine will climb the wall and remain on the wall for two seconds, then it will reverse and head back down the wall. After the machine reaches the floor, it will move away from the wall for 30 seconds. The 30 second time should be adjusted from 20-40 seconds so the cleaner has enough time to go slightly past the middle of the pool. The time may be adjusted by pressing the + or - buttons on the remote control transmitter. The + button will increase the time to a maximum of 40 seconds and "-" decreases to a minimum of 20 seconds. After the time is correctly set. The cleaner will go from the wall to the center of the pool then reverse, go back towards the wall and climbs the wall for 2 seconds. Each time

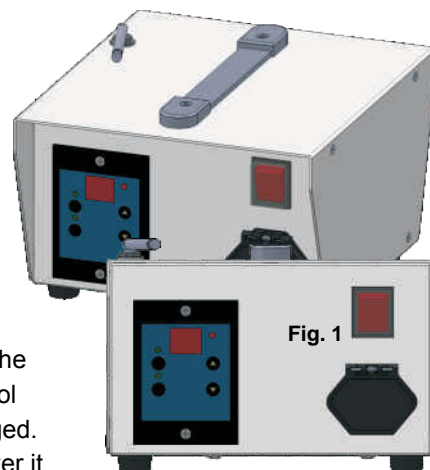


OPERATING INSTRUCTIONS

the machine reverses an internal clutch in the wheel tube will cause the cleaner to turn slightly. This sequence will repeat three times. On the fourth time the machine will climb the wall for ten seconds This sequence will repeat 30 times then the machine will cross the pool and travel in the opposite direction.



DURAMAX DUO/DUO Jr/RC This machine has a *delayed start* feature where the machine can start cleaning the pool an hour after the Main Power Supply is turned on. This is done by switching the power supply on (fig 1) and pressing the delay button on the remote control (No.4). The UP/DOWN button allows the machine to reverse itself both on the wall and floor. If for any reason the machine is stuck on the pool floor for more than 6 minutes it will reverse (the Duramax RC has 2.5 minutes before reversing.) If the machine does not climb a wall within 6 minutes, it will reverse in the other direction. If the machine climbs out of the water, it reverses itself every 25 seconds. The machine can be programmed for *wall and floor or floor only* cleaning. The default mode is set to clean the floor only. To change the mode to clean the floor and wall, press the forward/reverse button on the remote control once then turn the Main Power Supply switch on and the floor only mode will be engaged. After the Power Supply switch is turned on the machine will first search for the wall. After it finds the wall, the machine climbs the wall and remains on the wall for 2 seconds or 45 seconds ("*pool floor only*" and "*pool floor and wall*" mode respectively) after which it reverses itself to head towards the pool floor. The machine will move away from the wall for about 2 seconds turn, reverse and will search for the opposite wall. The machine will climb the wall and remains on the wall for 2 seconds or 45 seconds ("*pool floor only*" and "*pool floor and wall*" mode respectively) after which it reverses itself towards the pool floor. After this the program will repeat itself. Between 1 to 4 minutes the machine will turn on the pool floor. The machine will perform a 90 degree turn and alternate between right and left turns



SIX BUTTON REMOTE

Up/Down – Press once to change the current direction (Forwards/Backwards) of your cleaner.

Left – Press and hold to turn the cleaner to the Left. Release the button when the unit is moving in the desired direction.

Right – Press and hold to turn to the Right. Release the button when the unit is moving in the desired direction.

Delay – Press once to delay the cleaning cycle of your cleaner by 1 hour. This feature allows the cleaner to start working after the debris has settled to the bottom of the pool. Pressing the button again will cancel the 1 hour delay and your cleaner will start working immediately.

Climb – Press once to switch between the floor only and floor-and-wall mode.

Speed – Press once to switch between Standard cleaning speed and Detailed cleaning speed (slower).



This machine has a one hour *delayed start* feature. The cleaner can start cleaning the pool an hour after the Main Power Supply is turned on. This is done by switching the power supply on (fig 1) and pressing the delay button on the remote control (Fig 4). The DURAMAX TRIO is a floor cleaning machine only. The UP/DOWN button allows the machine to reverse itself on the pool floor. If the machine is hung-up on the pool floor for more than 5 minutes or if the machine does not reverse within 8 minutes, it will reverse in the other direction. If the machine leaves the water, it will reverse itself every 25 seconds until it locates water. If water is not located it will shut itself off. After the Power Supply switch is turned on the machine will first search for the wall. After it finds the wall, the machine climbs the wall and remains on the wall for 2 seconds turn, reverse and head towards the pool floor. The machine will move away from the wall for about 2 seconds, turn, and will search for the opposite wall. It will climb the wall and remains on the wall for 2 seconds after which it will reverse itself towards the pool floor. After this, the program will repeat itself. Between 1 to 4 minutes the machine will turn on the pool floor. The machine will perform a 90 degree turn alternately between the right and the left.

OPERATING INSTRUCTIONS

DRIVE TRACK AND BELT

DuraMAX
DuraMAX
BiTurbo T2
DuraMAX
RC
DuraMAX
Duo Jr.
DuraMAX
Duo
DuraMAX
Trio

With prolonged usage of the cleaner the Drive Tracks may stretch, or wear. To maintain optimum performance they will require replacement. To access the gear assembly it is necessary to remove the cleaner's Side Plate.

(1) Remove the Bumper wheel by removing the "C" clip and then the locking screw (FIG 3).

(2) Turn the cleaner upside down and remove the Bottom Lid Assembly. Locate and remove the four screws that hold the Side Plate to the main body. The Side plate is now free and ready to be removed.

(3) When the Side Plate is taken apart, you will notice 3 black bushings. It is a good idea to also replace these Bushings when the Drive Tracks are replaced.

(4) After the Drive Tracks and Bushings are replaced, reassemble the Side Plate as shown here. (FIG 4)

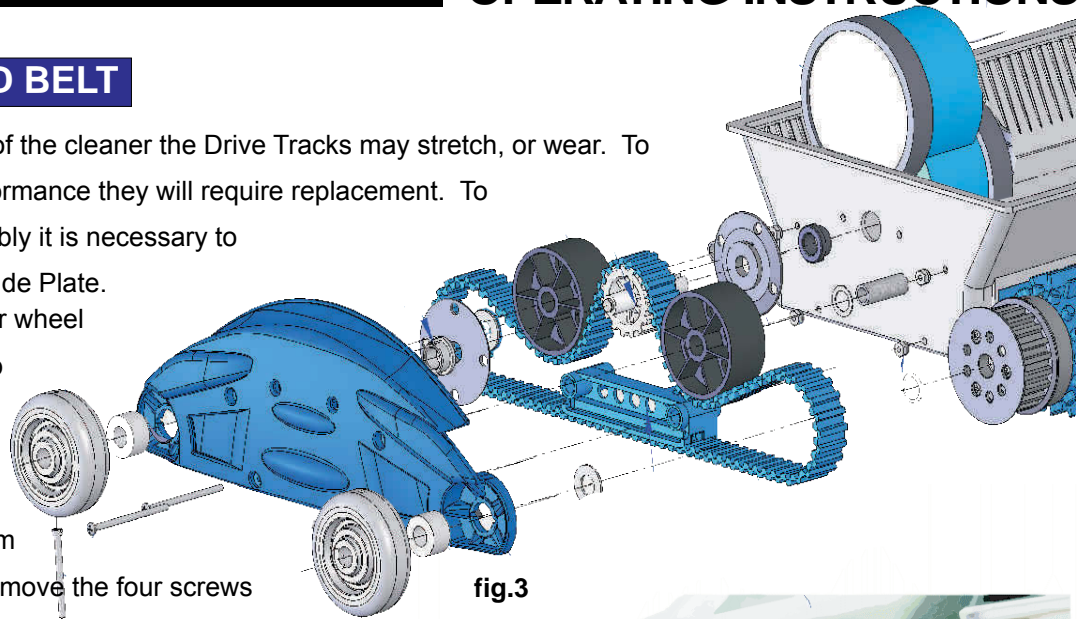


fig.3

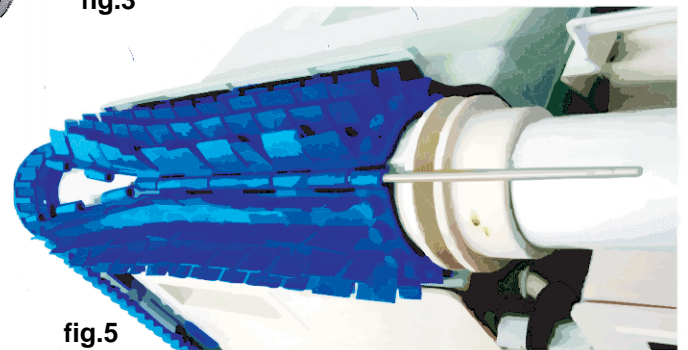


fig.5

SUPER E-Z BRUSHES

To Change Super Brushes for full length and "split" Wheel Tubes:

Using a pair of pliers, grab one end of the stainless steel Rod that is securing the old Brushes onto the Wheel Tube. Pull away from the Wheel Tube slowly until the entire existing Brush is freed and removed. Wrap the new Super Brush around the Wheel Tube. Join the ends of the replacement Super Brush using the Metal Rod supplied in the package. Slide the Rod through the Tabs molded into the ends of the Brush. Make sure that the Rod is inserted through every Tab. (FIG 5)

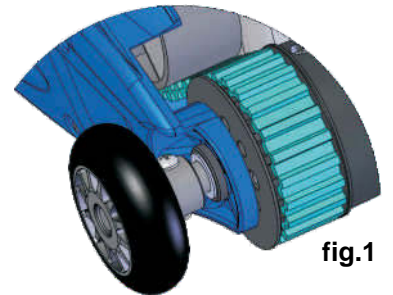


fig.1

CHANGING DRIVE BELTS

DuraMAX
DuraMAX
BiTurbo T2
DuraMAX
RC
DuraMAX
Duo Jr.
DuraMAX
Duo
DuraMAX
Trio

To remove the drive belts, locate the small hole on the outboard wheels (fig.#1) and remove with a slot screwdriver. Repeat for all four wheels.

Then remove the bolts and nuts from the Side

Plate (fig.#3) at four places. After you remove the Side Plate the interior assembly of the Drive Pulley, Idlers, and Wheel Tubes will fall onto the work surface. Take note as to where the internal parts are located. Refer to the picture above to see the way the Drive Belt is threaded through the Pulleys.

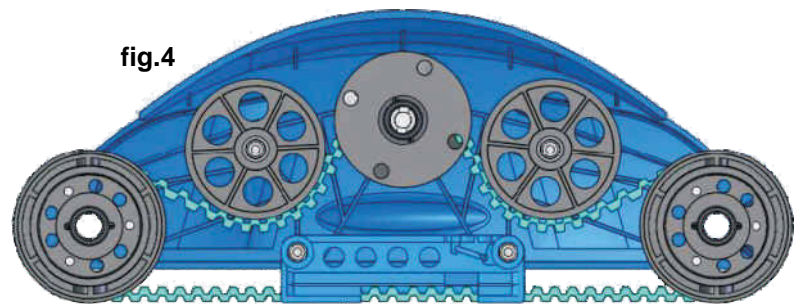


fig.4

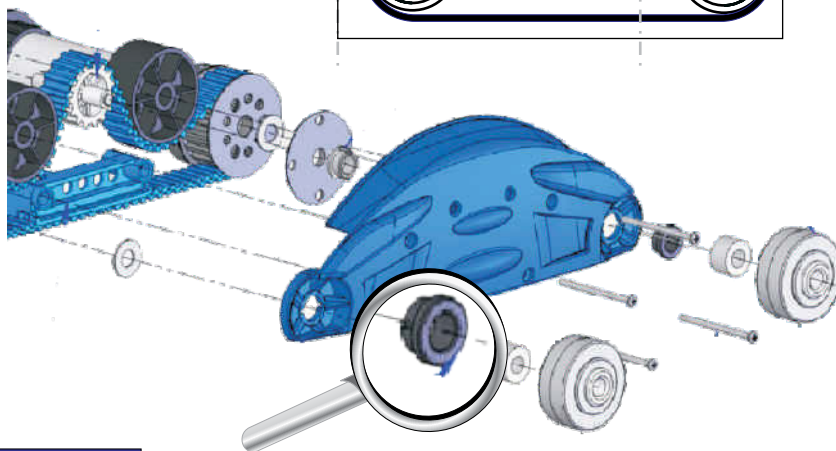
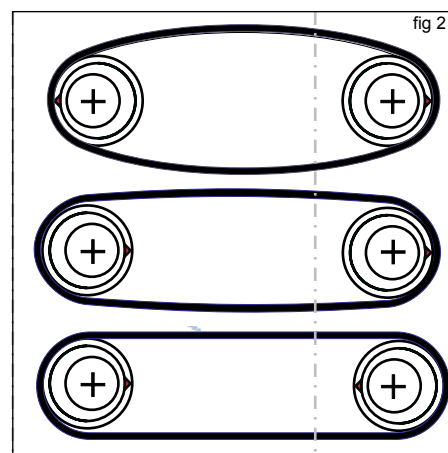
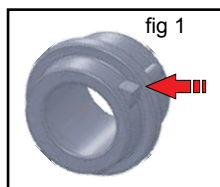
OPERATING INSTRUCTIONS

TRACK TENSIONING BUSHINGS

You can expect optimum performance and extended track life from your commercial cleaner if the cleaner's Drive Tracks remain tight. Bushing # 3627 is used to keep the Drive Tracks at its proper tension. The Bushing has a eccentric hole.

Depending on what direction the bushing is installed into the side plate, the Drive Tracks can be made to fit looser or tighter (fig 2.).

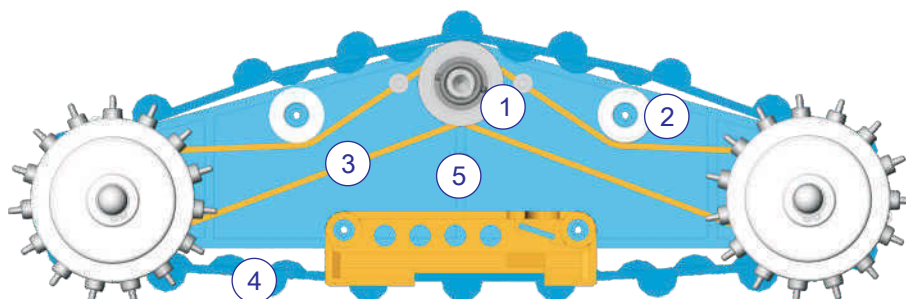
Locate the small arrow molded into the Bushing (fig 1.) When installing the Bushing, if the arrow is pointed towards the center of the machine the Drive Track will be made tighter. If the arrow is pointed away from the machines center the Drive Tracks will be looser.



CHANGING DRIVE BELTS DURAMAX Jr HT

After a number of months or years, depending on usage, the Drive Belts (Ref.# 3) [2 located behind the Side Plate (Ref.# 6) on the Drive Motor side of the cleaner*] may begin to stretch. To maintain optimum performance these will require replacement. 1. Unplug the cleaner from the Power Supply. 2

.Remove Drive Tracks (Ref.# 4). 3. Place the cleaner on a non-abrasive surface and turn cleaner upside down. Remove Bottom Lid Assembly. 4. Remove the Wheel Tube Retaining Rings. 5. Locate and remove 4 Screws on Drive Motor side, which holds Side Plate in place. NOTE: Before removing the Screws, notice how the Drive Belts, Drive Pulley (Ref.# 1), Stepped Sleeve Rollers (Ref.# 2), and Bushings are positioned for re-assembly. 6.Remove old Belts and replace them with new Drive Belts, being careful to properly position the replacements. One Belt from the Drive Pulley to the Front Wheel Tube one from the Drive Pulley to the Rear Wheel Tube. The Belts must press against the thicker side of the Stepped Sleeve Rollers for proper tension .To re-assemble, reverse steps.*Remote Control Cleaners with Two Drive Motors have a total of four Drive Belts, two located behind each Side Plate.



- 1....Drive Pulley
- 2....Step Sleeve
- 3....Drive Belt
- 4....Drive Track
- 5....Side Plate

VGB POOL COVERS

The Virginia Graeme Baker Act (VGB) Pool and Spa Safety Act requires the installation and use of anti-entrapment drain covers and other systems in an effort to reduce deaths and injuries in swimming pools.

These new drain covers may make it difficult or block the Cleaner's ability to move over or pass by them. A feature has been added in the programming of your cleaner that will assist the Cleaner to become unstuck should it get caught on the drain cover.

Aqua Products has also included an extra set of higher durometer EZ Brushes with your new Cleaner. These brushes will also assist the Cleaner to limit the contact with the new VGB covers without reducing the performance of the Cleaner.



Before performing any troubleshooting maintenance procedures on your cleaner, it should be disconnected from the Power Supply (transformer) and the Power Supply should be unplugged from the electrical outlet to prevent the possibility of personal injury or damage to the cleaner.

Pumps Water, But Cleaner Moves Slowly or Does Not Move at All

Place cleaner upside down (on a non-abrasive surface so that it won't become scratched or scuffed) and unplug it from the Power Supply.

- ▼ Check for any debris such as hair, string, or leaves that may be obstructing the free movement of the Drive Pulley, Drive Rollers, or Drive Tracks.
- ▼ Check that the Drive Rollers and Drive Pulley are properly aligned and are taut, adjust or replace if necessary. Then, plug the cleaner into the Power Supply and turn it on outside the water (while still upside down), allowing it to run a maximum of 1 minute to check the following:
- ▼ Check that the Drive Pulley is turning. If it is not, grip one Wheel Tube with both hands and rotate it forward and reverse to see if the Drive Motor is connected to the Drive Pulley. If you have checked all of the suggestions and the problem still exists then please contact Customer Service.

Does Not Clean Entire Pool (Misses Areas) or Does Not Climb Walls

- ▼ Your cleaner is designed to clean the pool many times over within its recommended cleaning cycle (up to 3 hours) by cleaning one section at a time in a systematic pattern. If large portions of the pool are missed when the cleaning cycle is complete, then please check the following:
 - ▼ Be sure that the Power Supply is located in the center of one of the long sides of the pool. This will allow optimum use of the cleaner's Floating Cable's length. Make sure that the Floating Cable is untangled and spread out on the surface of the water.
 - ▼ Clean the Filter Bag thoroughly so that the fine particles of dirt that get trapped within the fibers of the Filter Bag are removed.
 - ▼ To test if the Filter Bag is inhibiting the cleaner's performance, simply remove the Filter Bag and operate the cleaner without it.
 - ▼ If the cleaner then pumps water strongly, and climbs the walls properly, the Bag most likely requires a thorough cleaning.
 - ▼ You may need to add Floatation. Your cleaner needs to properly climb the walls and to move left or right scrubbing the waterline in order to properly clean the entire pool.

TROUBLESHOOTING GUIDE

If you use a non-chlorine solution (i.e. Baquacil) to clean your pool, a clear slick film may form along your pool's walls impeding the cleaner's ability to climb. We suggest adding 225 to 300 parts per million of Calcium Hardener to your pool water to combat the film built-up.

- ▼ If your pool is irregular in shape (T, L, freeform) or has large swim out areas your cleaner may not easily enter all pool areas in a standard cleaning cycle. To ensure cleaning of all areas, we suggest placing the cleaner in each of the 'separate' areas of the pool allowing a complete cleaning cycle for each area.

▼ Moves But Does Not Pick Up Dirt And Debris

Check the operation of the Pump Motor. While the cleaner is in the pool, with the Power Supply switched on, hold the cleaner's Floating Handle so the Outlet Top breaks the pool surface. Water should gush from the Outlet Top. If there is no water flow, or if it appears weak, proceed to the next step.

Using a screwdriver, remove the screws that secure the Outlet Top to the body and inspect the Propeller for clogs, hair or other debris which may keep it from spinning freely. If it appears to be frozen and no debris is blocking its movement, or if the Propeller moves freely when spun manually but not when the cleaner is turned on, or if the propeller is loose and wobbles when spun manually, contact Customer Support for assistance. If the Pump is operating properly replace the Outlet Top. Be careful not to over tighten and damage the plastic, then proceed to the next step.

- ▼ Clean the Filter Bag thoroughly so that the fine particles of dirt that get trapped within the fibers of the Filter Bag are removed.

Check the Intake Valve Flaps on the underside of your cleaner. The Flaps should open and close freely. Clean and free the Valve Flaps if necessary.

Gets Stuck On Ladders, Main Drains, Return Fittings, Lights, Stairs Or In Corners Cleaners have approximately one inch of clearance between the floor and its underside. The Brushes enable the cleaner to climb over obstacles like raised main drains, return filters, lights, and pop-up, in-floor systems, and climb up stairs in most pools. But, in some cases, the size or shape of these obstacles (i.e. lights, main drains) may stop the cleaner from moving by catching on the underside of the cleaner. Follow these recommendations to assist your cleaner with the following obstacles: Ladders, Return Fittings, Lane Hooks, Lighting Fixtures Objects protruding from walls may impede the left/right movement of your cleaner when it is at the waterline. For optimal performance, it is recommended to remove objects from the pool walls when operating your cleaner. The greater the number of objects on the pool walls, the greater the difficulty your cleaner will have covering the entire pool. One object (i.e. ladder) in pool may affect the overall cleaning cycle of your cleaner to a minor extent. Two or more objects in the pool positioned either directly opposite one another, or diagonally across from one another, will restrict your cleaner to primarily clean only one section of the pool on one side of the objects during its cleaning cycle. If these objects can not be removed then place the cleaner in each of the 'separate' areas of the pool, allowing each a separate complete cleaning cycle. It is best to place your cleaner at the farthest points of the pool at the beginning of each cleaning cycle. Return Fittings - Contact your Authorized Dealer for return fittings of the same diameter as your current fittings, yet with smaller extensions (under 1" height). This should provide the clearance needed for your cleaner to climb freely.



Note: The bottom step of a ladder may stop your cleaner from freely climbing and tilting 90° up the wall from the floor. This means the cleaner will remain in the forward mode, 'spinning its wheels', under the ladder, not allowing its internal incline sensors to detect the wall. Fortunately, your cleaner is equipped with a safety timer that will automatically reverse your cleaner after a period of time.

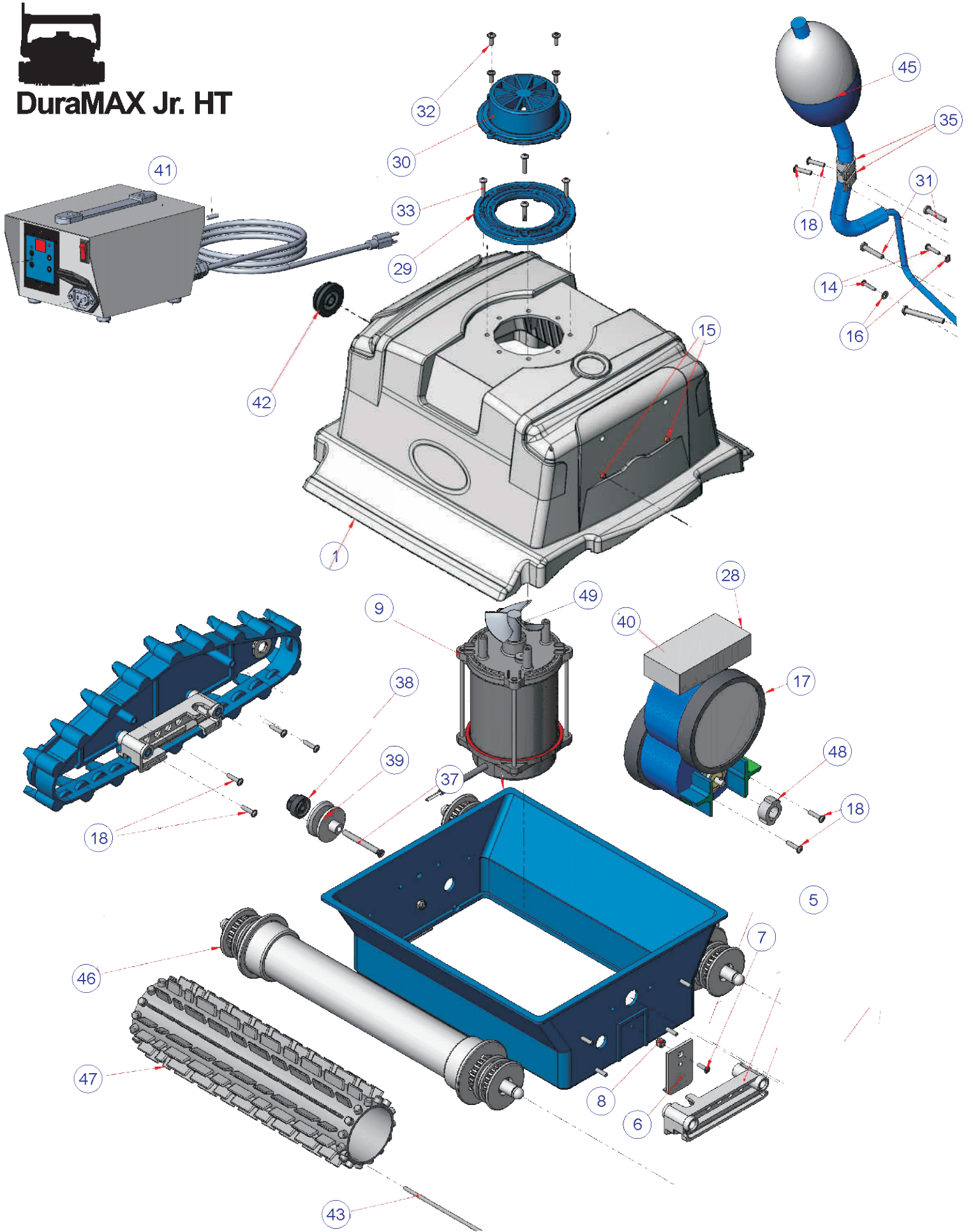
- ▼ Check the brushes to see they are plush and not worn. Should they require replacement, contact Customer Service. The replacement Brushes are a different style with a larger diameter, providing increased ground clearance and a faster speed to climb over obstacles.



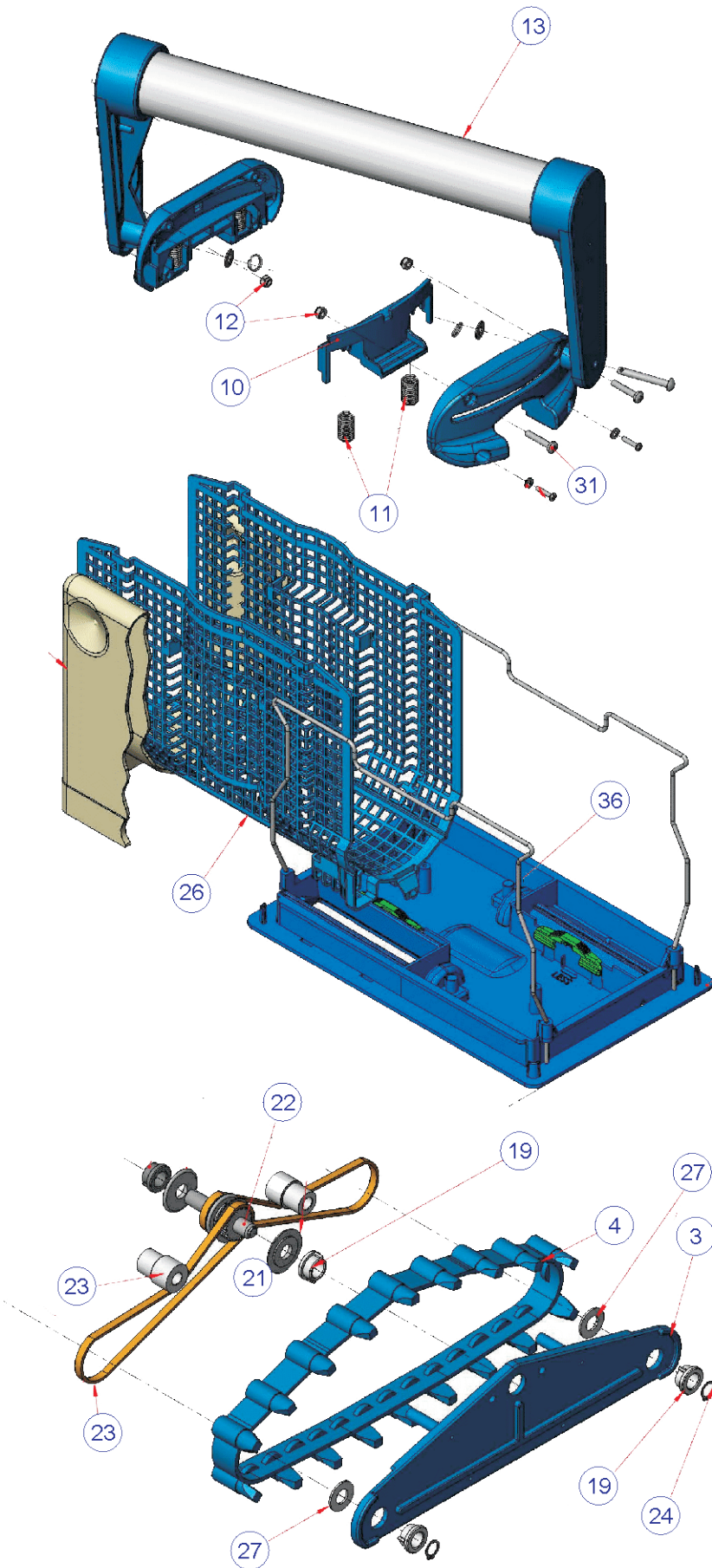
Note: Incline Sensors - Always start your cleaner on a horizontal level surface (both Brushes touching the floor). Should your cleaner begin its cleaning cycle in an incline, the Incline Sensors within the Drive Motor may begin operating assuming that the incline angle is a level floor. When the cleaner does become level, the Incline Sensors will tilt and consider the floor to be the wall. This will offset its operation, causing the cleaner to remain in forward or Reverse positions for great lengths of time, resulting in insufficient cleaning



DuraMAX Jr. HT



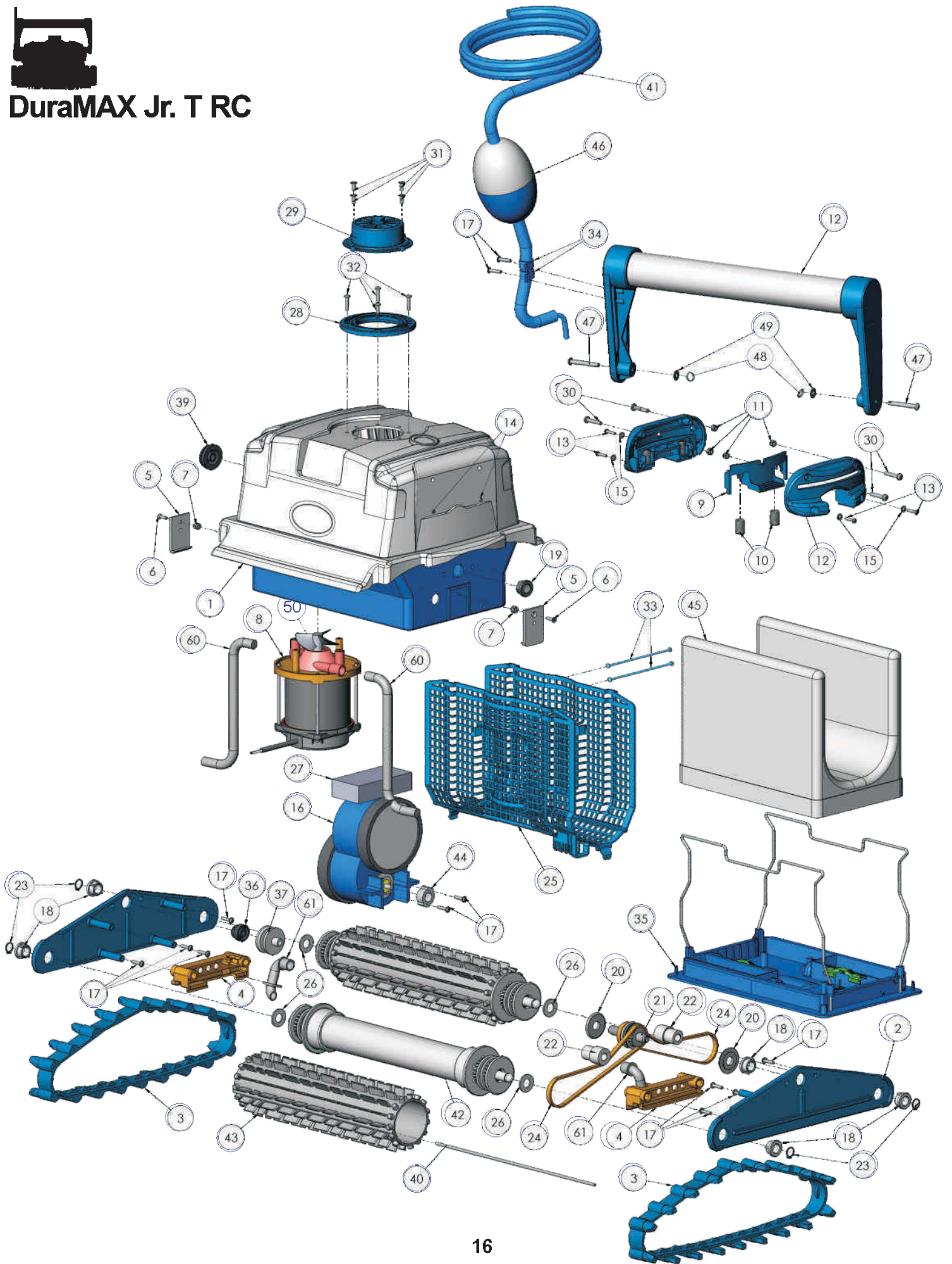
DuraMAX Jr. HT REPLACEMENT PARTS



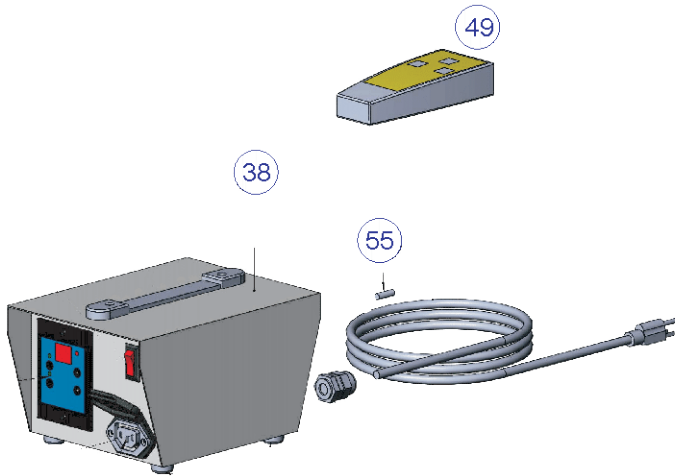
1	S2005WBL	BODY ASSY., WHITE	1
3	3400B	SIDE PLATE	2
4	3203	DRIVE TRACK	2
5	3387WT	BRACKET	2
6	9204N	LOCK TAB	2
7	2303	LOCK TAB SCREW	2
8	7133	NUT	2
9	A6010U	PUMP MOTOR ASSY.	1
10	2040BL	OVAL SWITCH	2
11	5087	SPRING	4
12	3404	LOCK NUT	4
13	S10003BL	HANDLE ASSY	1
14	5061	SCREW.	4
15	1110	BRASS INSERT	4
16	11065	WASHER	5
17	A8577	DRIVE MOTOR	1
18	2700	SCREW	10
19	2600	NYLON BUSHING	5
20	2600BKT2	BUSHING	1
21	3607	WASHER FOR PULLEY	2
22	S3605	PULLEY LARGE	1
23	3506	SLEEVE ROLLER	2
24	11058	RETAINING RING	4
25	3203	DRIVE TRACK	2
26	5310	FILTER SCREEN	1
27	3603	NYLON WASHER	4
28	3101	UNDER MOTOR FLOAT	1
29	2230B1	OUTLET TOP	1
30	2250BL2	OUTLET BOTTOM	1
31	2901	SCREW	4
32	2260	SCREW	7
33	2302	OUTLET TOP SCREW	4
34	5309	SPRING	4
35	2102	P CLIP	2
36	A9600BL	BOTTOM LID ASSY	1
38	2610	BUSHING	1
39	3700	ROLLER LARGE	1
40	8111	FINE FILTER BAG	1
41	7184C	POWER SUPPLY	1
42	1628	GROMMET	1
43	3021	LOCK PIN FOR BRUSH	2
45	S1627501	CABLE ASSY.	1
46	A38204	WHEEL TUBE ASSY	2
47	3016BL	BRUSH	2
48	4709	PIN COVER	1
49	4400	PROPELLER	1



DuraMAX Jr. T RC

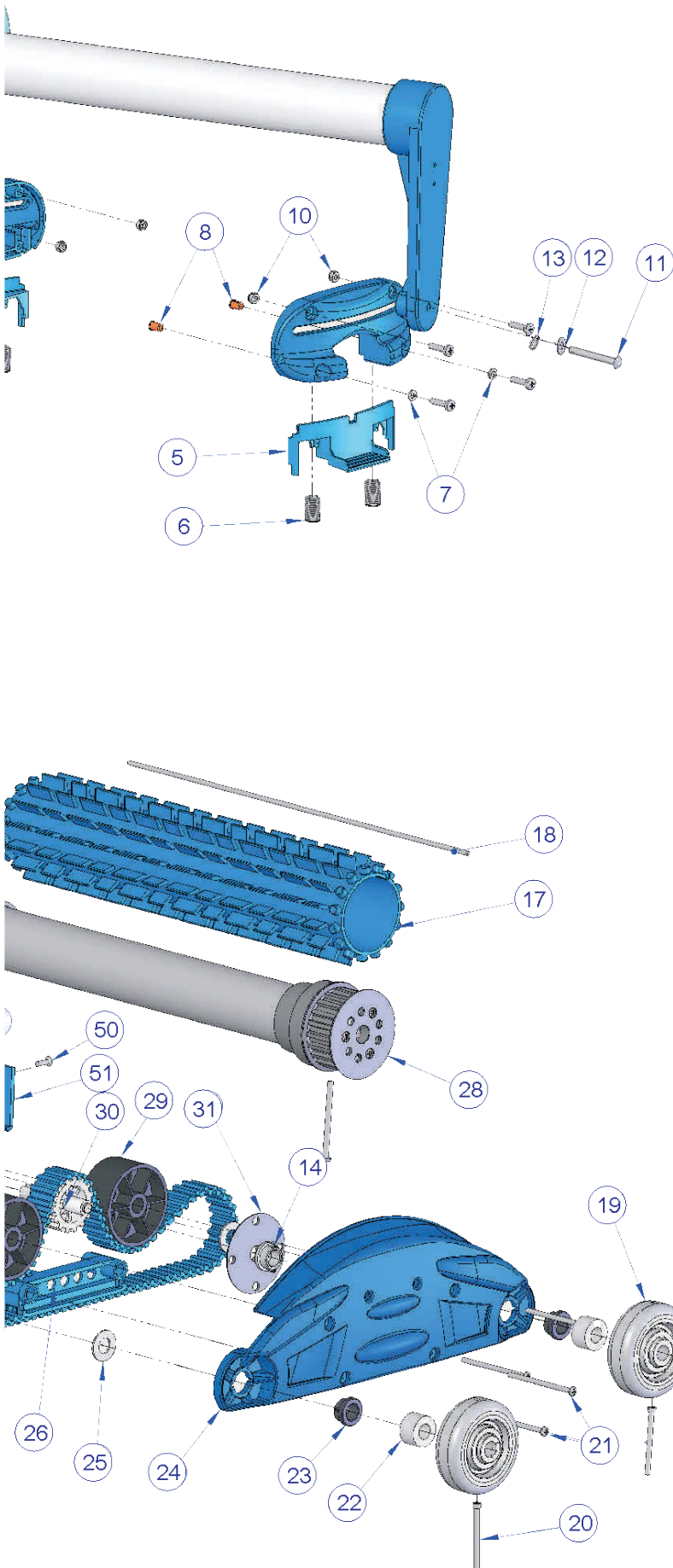


DuraMAX Jr. T RC REPLACEMENT PARTS



1	S2005WBL	TOP HOUSING, WHITE	1
2	3400B	SIDE PLATE	1
3	3203	DRIVE TRACK	2
4	3387WT	JET NOZZLE BRACKET	2
5	9204N	LOCK TAB	2
6	2303	LOCK TAB SCREW	2
7	7133	NUT	2
8	A6011	PUMP MOTOR ASSY.	2
9	2040BL	OVAL SWITCH	1
10	5087	SPRING	2
11	3402	LOCK NUT	4
12	S10003BL	HANDLE ASSY	1
13	5061	SCREW.	4
14	1110	BRASS INSERT	4
15	11065	WASHER	5
16	A8557	DRIVE MOTOR	1
17	2700	SCREW	12
18	2600	NYLON BUSHING	5
19	2600BKT2	BUSHING	1
20	3607	WASHER FOR PULLEY	2
21	S3605	PULLEY LARGE	1
22	3506	SLEEVE ROLLER	2
23	11058	RETAINING RING	4
24	3203	DRIVE BELT	2
25	5310	FILTER SCREEN	1
26	3603	NYLON WASHER	4
27	3101	UNDER MOTOR FLOAT	1
28	2250BL2	OUTLET BOTTOM	1
29	2250B1	OUTLET TOP	1
30	2901	SCREW	4
31	2260	SCREW	6
32	2302	SCREW	4
33	5310	STRING FILTER SCREEN	2
34	2109	P-CLIP	2
35	A9600BL	BOTTOM LID ASSY	1
36	2610	BUSHING FOR PIN	1
37	3700	ROLLER LARGE"	1
38	7088C-002	POWER SUPPLY	1
39	1628	GROMMET	1
40	3021	LOCK PIN FOR BRUSH	2
41	A1621001	CABLE ASSY.	1
42	A38205MG	WHEEL TUBE ASSY	2
43	3016BL	E-Z BRUSH	2
44	4709	PIN COVER	1
45	8111	FILTER BAG, LARGE	1
46	1602	BALL FLOAT	1
49	220115C	REMOTE	1
50	4400	PROPELLER	1

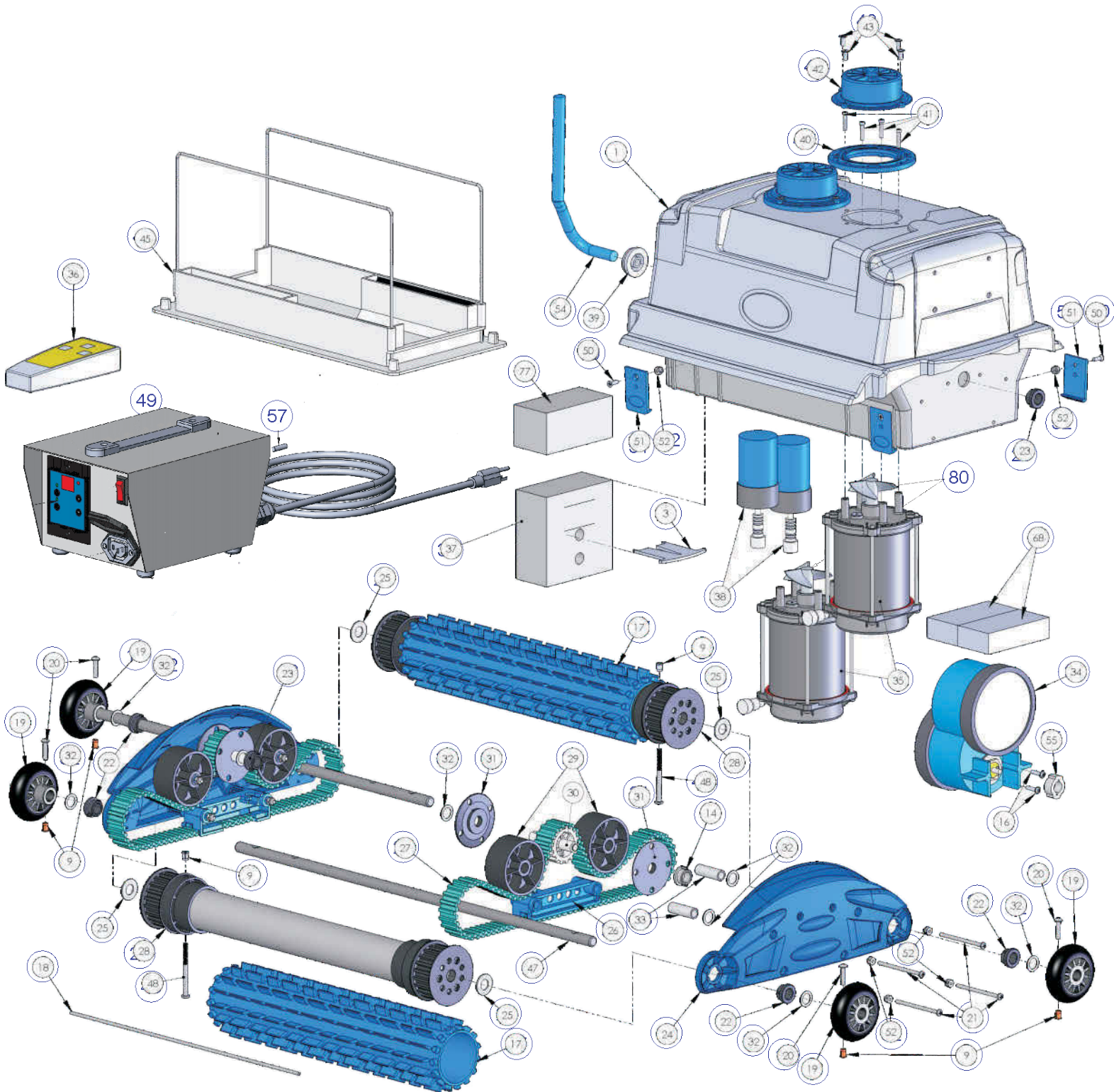
DuraMAX REPLACEMENT PARTS



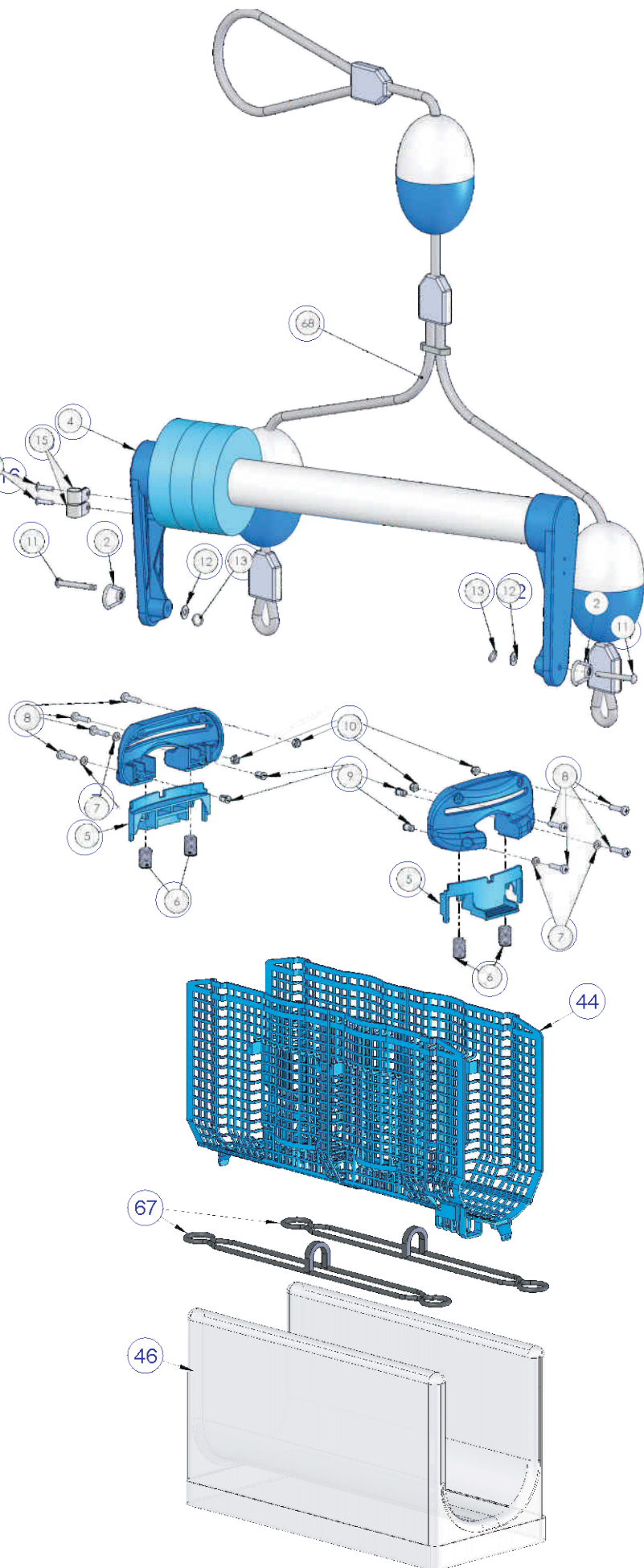
1	S22025W1H	TOP HOUSING, WHITE	1
2	22012	HOUSING, BOTTOM	1
3	3477	BRACKET IG JET	1
4	S10311	HANDLE, ASSY	1
5	2040BL	SWITCH , OVAL HANDLE BRACKET	2
6	5087	SPRING, LC042G-5	4
7	7109	WASHER	4
8	2304	SCREW, S/S 10-32 x 3/4"	8
9	5050	BRASS INSERT	4
10	3402	USE SP3102 - NUT, HEX LOCK M5	4
11	11003	CLEVIS PIN	2
12	11004	WASHER	2
13	11005	COTTER RING 3/16	2
14	2600	BUSHING, NYLON .5 ID, WHITE.	2
15	2110	P CLIP - BLUE ELASTICIZED 7/16"	2
16	2700	SCREWS	4
17	3017BL	EZ BRUSH , BLUE 15.25". SET OF 2	1
18	3019	PIN, LOCK,15"ODx 15.25 LONG	2
19	2691	WHEEL 2.75" HOLE FOR SCREW	4
20	2268	SCREW	4
21	2711	SCREW, 8-32 X 2 3/4"	8
23	2600BKT2	BUSHING BLACK	6
24	S2038BL	SIDE PLATE BLUE W/4 HOLES	2
25	3603	WASHER - NYLON	4
26	S3387	BRACKET, SIDE PLATE BLUE (PP)	2
27	SK3310	DRIVE BELT	2
28	A38225	WHEEL TUBE ASSY	2
29	3508	TENSION ROLLER 2008(BLACK)	4
30	S3624	DRIVE PULLEY,	2
31	3621	FLANGE, PULLEY	4
32	2606	WASHER, DELRIN 515 X .750 X .032	4
33	3626	BUSHING, S/S	4
34	A8557	DRIVE MOTOR	1
35	A6011	PUMP MOTOR ASSY	1
36	3101	FLOAT-UNDER MOTOR	2
37	3109	FLOAT	1
38	6012	CAPACITOR W/ 2 PIN CONNECTOR	1
39	1628	GROMMET FLOATING CABLE	1
40	2250BL2	OUTLET, BOTTOM BLUE LARGE	1
41	2251	SCREW, #8-18, 3/4	4
42	2230B1	OUTLET, TOP BLUE	1
43	2260	SCREW	6
44	S5313	FILTER SCREEN , ASSY BLUE	1
45	A9201XC	BOTTOM LID	1
46	8101	FILTER BAG (LARGE, FINE)	1
47	342625	AXLE, W/3 HOLES	2
49	7088C-002	POWER SUPPLY, D-TIMER	1
50	2303	SCREW	4
51	9204N	LOCK TAB FINGER ROLL, BLUE	4
52	7133	LOCK NUT - FOR LOCK TUBS	8
54	1621201	CABLE, 2 WIRE/120 FT W/ PLUG	1
57	220115C	REMOTE CONTROL	1
58	4709	DRIVE PIN COVER	1
59	4400	PROPELLER	1



DuraMAX BiTurbo T RC



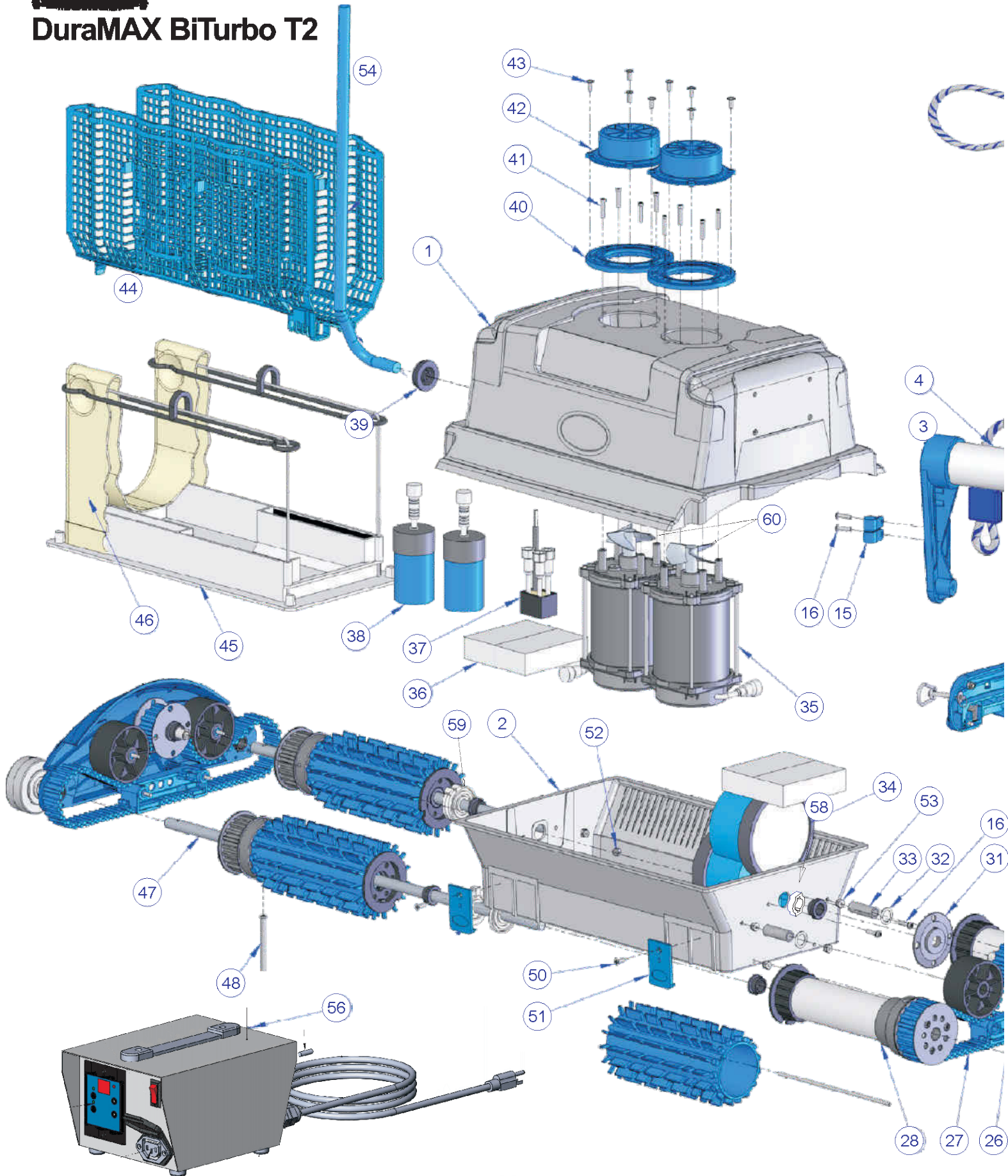
DuraMAX BiTurbo T RC REPLACEMENT PARTS



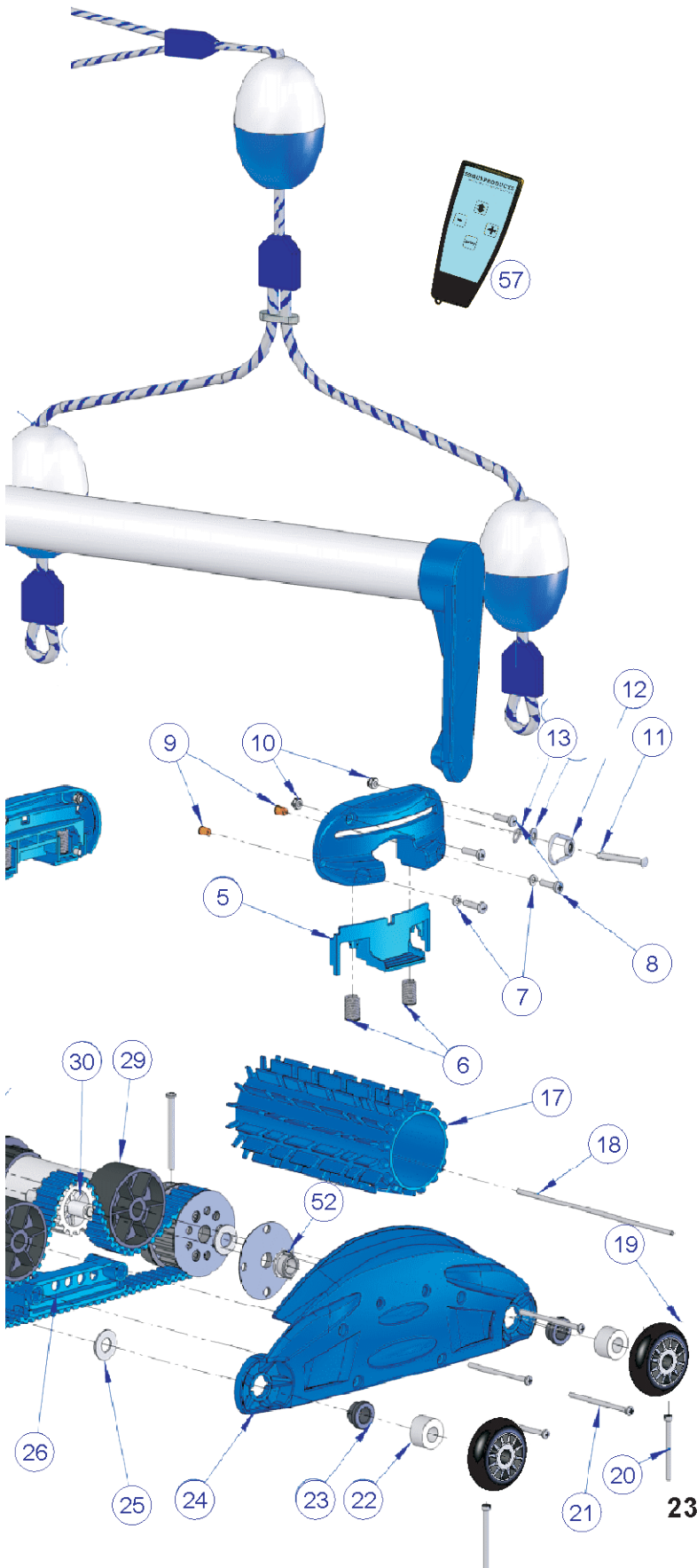
1	S22025WT2HTOP HOUSING, WHITE	1
2	11006 SNAP HOOK	2
3	3477 FLOAT BRACKET	1
4	S10311 HANDLE, ASSY	1
5	2040BL SWITCH, OVAL HANDLE BRACKET	2
6	5087 SPRING, LC042G-5	4
7	7109 WASHER	4
8	2304 SCREW, S/S 10-32 x 3/4"	8
9	5050 BRASS INSERT	4
10	3402 NUT, HEX LOCK M5	4
11	11008 CLEVIS PIN	2
12	11004 WASHER	2
13	11005 COTTER RING 3/16	2
14	2600 BUSHING, NYLON .5 ID, WHITE.	2
15	2110 P CLIP - BLUE ELASTICIZED 7/16"	2
16	2700 SCREWS	4
17	3017BL EZ BRUSH, BLUE 15.25". SET OF 2	1
18	3019 PIN, LOCK, 15"ODx 15.25 LONG	2
19	2691 WHEEL 3" HOLE FOR SCREW	4
20	2268 SCREW	4
21	2711 SCREW, 8-32 X 2 3/4"	8
22	2600BKT2 BUSHING BLACK	5
23	2600BKT2 BUSHING BLACK	1
24	S2038BL SIDE PLATE BLUE W/4 HOLES	2
25	3603 WASHER - NYLON	4
26	3387BL BRACKET, SIDE PLATE BLUE (PP)	2
27	SK3310 DRIVE BELT	2
28	A38225 WHEEL TUBE ASSY	2
29	3508 TENSION ROLLER 2008(BLACK)	4
30	S3624 DRIVE PULLEY,	2
31	3621 FLANGE, PULLEY	4
32	2606 WASHER, DELRIN 515 X .750 X .032	4
33	3626 BUSHING, S/S	4
34	A8557 DRIVE MOTOR	1
35	A6011 PUMP MOTOR ASSY	2
36	220115C REMOTE	1
37	3109 FLOAT	1
38	6012 CAPACITOR W/ 2 PIN CONNECTOR	1
39	1628 GROMMET FLOATING CABLE - 3/8"	1
40	2250BL2 OUTLET, BOTTOM BLUE LARGE	1
41	2251 SCREW, #8-18, 3/4	4
42	2230B1 OUTLET, TOP BLUE	1
43	2260 SCREW	6
44	S5313 FILTER SCREEN, ASSY BLUE	1
45	A9201XC BOTTOM LID	1
46	8101 FILTER BAG (LARGE, FINE)	1
46a	8201 FILTER BAG (LARGE, MESH)	1
47	342625 AXLE, W/3 HOLES	2
48	2268 SCREW	2
49	A7102 POWER SUPPLY, D-TIMER	1
50	2303 SCREW	4
51	9204N LOCK TAB FINGER ROLL, BLUE	4
52	7133 LOCK NUT - FOR LOCK TUBS	8
54	16151 CABLE, 2 WIRE/120 FT W/ PLUG	1
55	4709 SHEAR PIN COVER	1
68	S3116 UNDER MOTOR FLOAT	2
78	3109 FLOAT	1
79	A8327 ROPE ASSEMBLY	1
80	4400 PROPELLER	2



DuraMAX BiTurbo T2



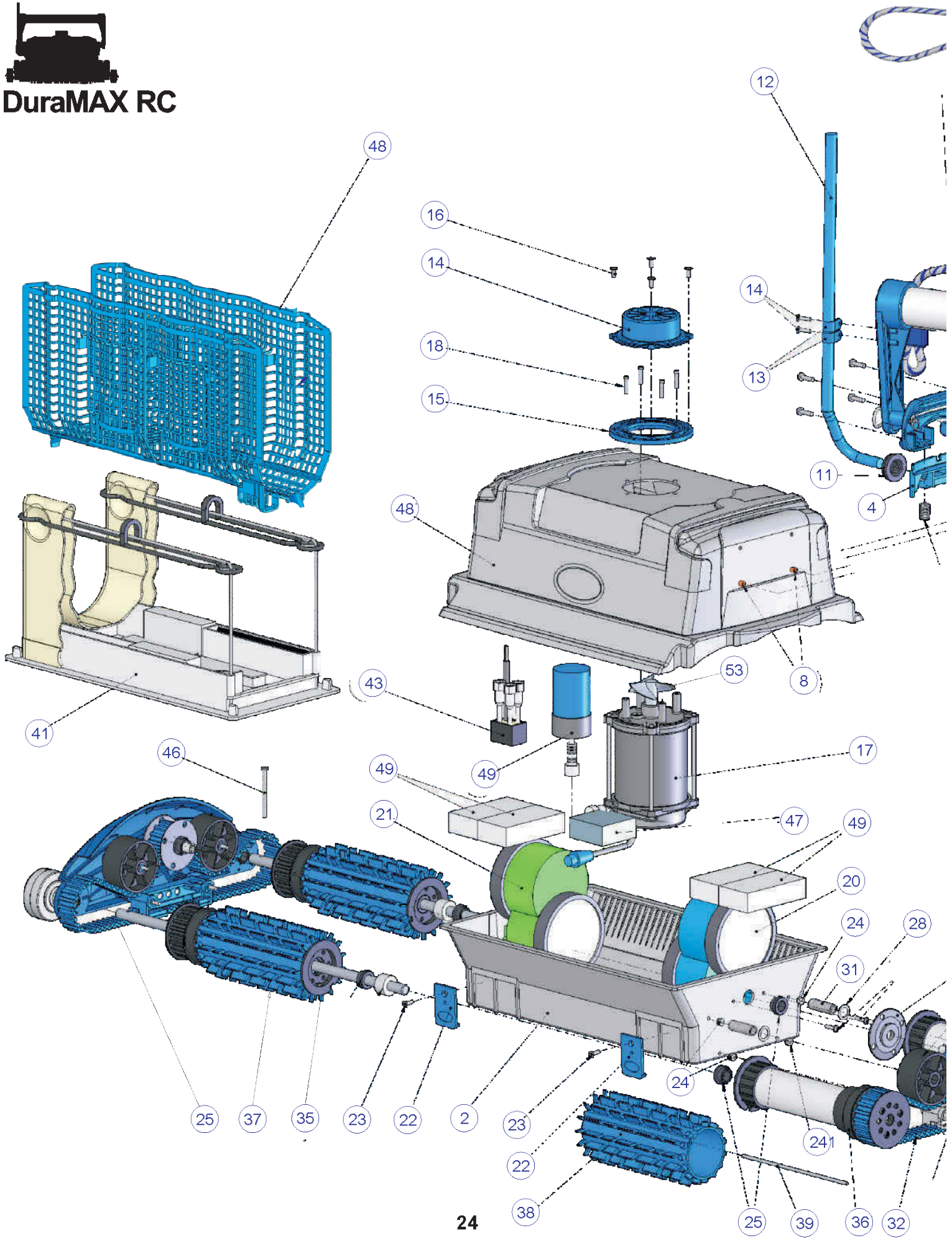
DuraMAX BiTurbo T2 REPLACEMENT PARTS



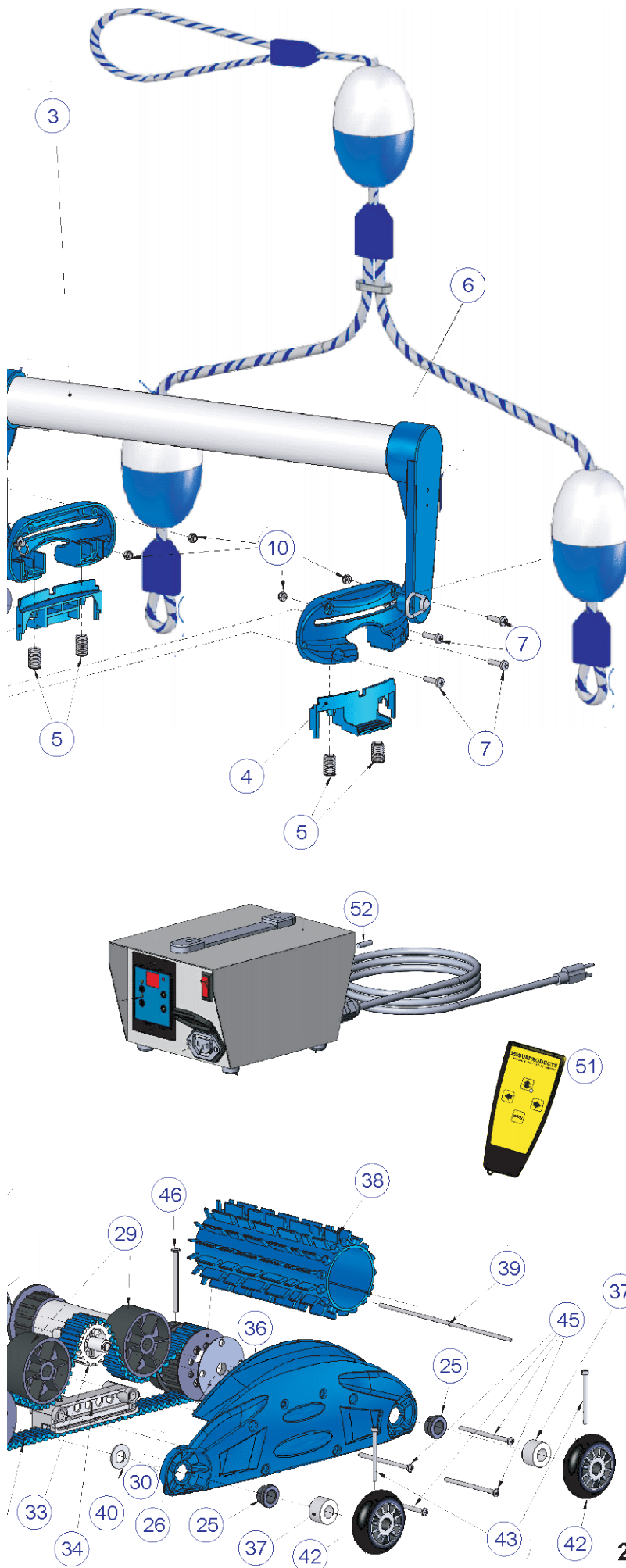
1	S22025W2H TOP HOUSING, W/2 PUMP HOLES	1
2	22012 HOUSING, AQUAMAX, BOTTOM	1
3	A8327 ROPE ASSY-UMAX PHV300	1
4	S10312 HANDLE W/ OVAL BRACKET	1
5	2040BL SWITCH, OVAL HANDLE BRACKET	2
6	5087 SPRING, LC042G-5 S/S	4
7	7109 WASHER, S/S 0.195x0.345x0.063	4
8	2304 SCREW 10-32x3/4 S.S.	8
9	5050 INSERT, BRASS, 10-32x0.371	4
10	3402 LOCK NUT M5 SS, NYLON INSERT	4
11	11003 CLEVIS PIN-FOR BRACKET	2
12	11006 SNAP HOOK, S/S W/EYE	2
13	11005 COTTER RING	2
15	2110 CLAMP, BLUE, ELASTICIZED 7-16	2
16	2700 SCREW 8x11-16 PHIL PAN TYPE	4
17	S3002BM7 EZ BRUSH, BLUE 7.25 LG.	4
18	S30217 PIN, LOCK 0.15 ODx7.25 LG	4
19	2691 WHEEL, 2.75" W/ ADDITIONAL HOLE	4
20	2901 SCREW 10-32 x 1in,S.S.	2
21	2711 SCREW 8-32x2.75	8
23	2600BKT2 BUSHING BLACK	10
24	S2038BL SIDE PLATE, BLUE W/4 HOLES	2
25	3603 WASHER, NYL, 1 INC.ODx1/2D x1/16	4
26	3387BL BRACKET, SIDE PLATE, BLUE, (PP)	2
27	SK3310 DRIVE BELT	2
28	2606 WASHER, .515 X .750 X .062	6
29	3508 TENSION ROLLER	4
30	S3624 DRIVE PULLEY	2
31	3621 FLANGE, PULLEY DMX	4
32	2606 WASHER, DELRIN .510 x .750x .032	6
33	3626 BUSHING, S.S., .375ID, .5OD, 1.475L	4
34	A8562 DRIVE MOTOR, DuraMAX BITURBO	1
35	A6011 PUMP MOTOR ASSY DMX, DMXBT	2
36	3101 UNDER MOTOR FLOAT	4
37	A2306 JUNCTION BOX ASSY	1
38	6012 CAPACITOR MOTOR W/ 2 PIN MALE	2
39	1628 GROMMET FLOATING CABLE - 3/8"	1
40	2250BL2 OUTLET, BOTTOM, BLUE, LARGE	1
41	2251 SCREW #8-18 S.S. 3-4 LG. PHIL FLAT	8
42	2230B1 OUTLET, TOP, BLUE	1
43	2260 SCREW S.S. #6x7-16	4
44	S5313 FILTER SCREEN, ASSY BLUE	1
45	A9201XC BOTTOM LID	1
46	8101 FILTER BAG (LARGE, FINE)	1
47	342625 AXLE, 3 HOLES, L24.25	2
48	2268 SCREW,10-32 x 2.5in, 18-8 SS	2
50	2303 LOCK TAB S.S. SCREW 8-32x0.5	4
51	9204N LOCK TAB FINGER-ROLL, BLUE	4
52	2600BKT2 BUSHING, NYLON, BLACK	10
53	7133 LOCK NUT 8-32 NYLON INSERT	12
54	16151 CABLE,2 COND W/PLUG, 120FT	1
56	A7185 POWER SUPPLY ASSY, DMXBTT2	1
57	220112C REMOTE CONTROL	1
58	4709 GROOVE PIN COVER	1
59	11085W CLUTCH	4
60	4400 PROPELLER	2



DuraMAX RC



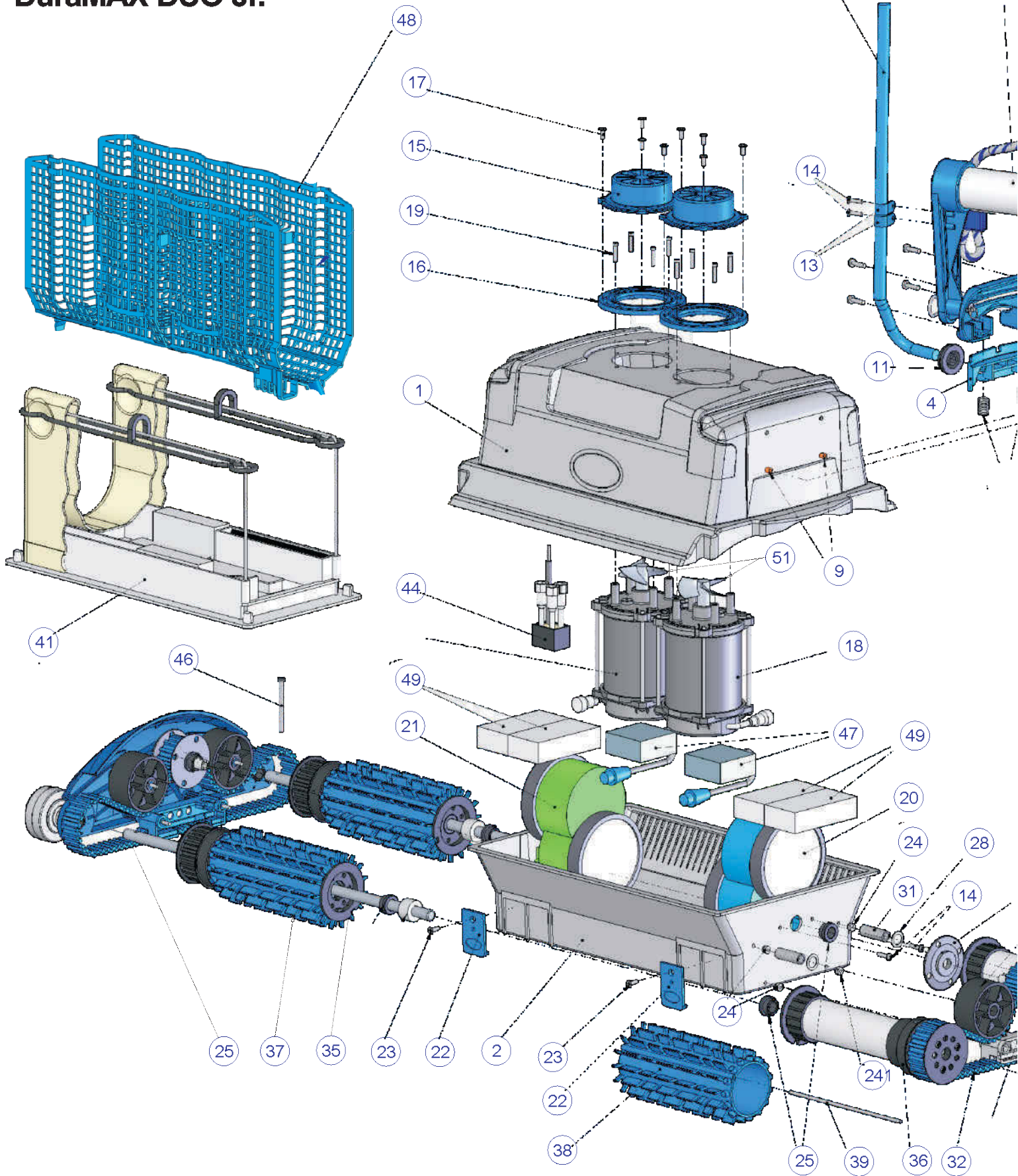
DuraMAX RC REPLACEMENT PARTS



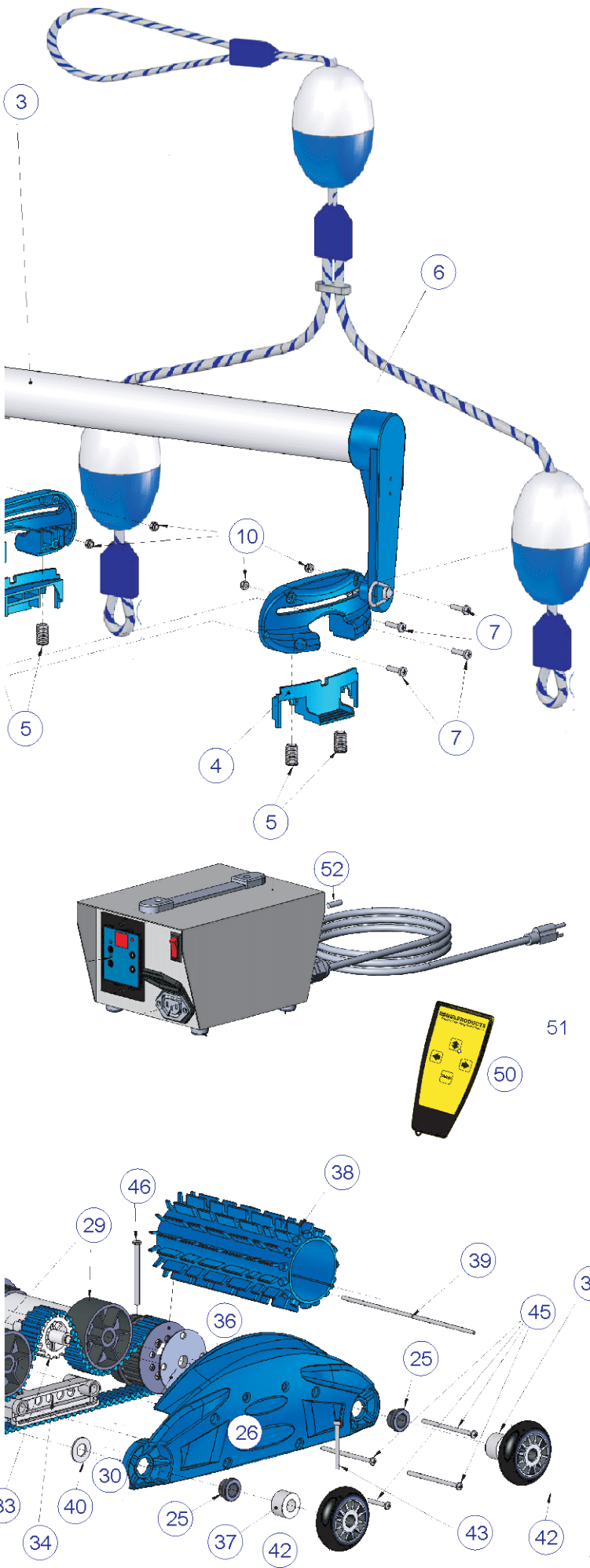
1	22012	HOUSING, AQUAMAX, BOTTOM	1
2	S10312	HANDLE S.ASSY, W/OVAL BRACKET	1
3	2040BL	SWITCH, OVAL HANDLE BRACKET	2
4	5087	SPRING, LC 042G-5 S.S.	4
5	A8327	ROPE ASSY-UMAX PHV300	1
6	7109	S.S. WASHER 0.195x0.345x0.063	4
7	1105	SCREW 10-32x7/8 S.S.	8
8	5050	INSERT, BRASS, 10-32x0.371	4
9	3402	LOCK NUT M5 SS, NYLON INSERT	4
10	1628	GROMMET 0.375 IDx 1.375 OD	1
11	1621201	CABLE, FLOATING 2 COND. W/PLUG	1
12	2109	CLAMP, BLUE, ELASTICIZED 7-16	2
13	2700	SCREW 8x11-16 PHIL PAN TYPE	6
14	2230B1	OUTLET, TOP, BLUE	1
15	2250BL2	OUTLET, BOTTOM, BLUE, LARGE	1
16	2260	SCREW S.S. #6x7-16	4
17	A6011	PUMP MOTOR ASSY, DMX, DMXBT	1
18	2251	SCREW #8-18 S.S. 3-4 LG. PHIL FLAT	4
19	A8581	DRIVE MOTOR,	1
21	9204N	LOCK TAB FINGER-ROLL, BLUE	4
22	2303	LOCK TAB S.S. SCREW 8-32x0.5	4
23	7133	LOCK NUT 8-32 NYLON INSERT	12
24	2600BKT2	BUSHING, NYLON, BLACK	10
25	S2038BL	SIDE PLATE, ROUND, W/ 4 HOLES	2
26	2600	NYLON BUSHING ID 0.5	2
27	2606	WASHER, DELRIN .510 x.750x .032	4
28	3508	TENSION ROLLER	4
29	3621	FLANGE, PULLEY DMX	4
30	3626	BUSHING, S.S., .375ID. .50D, 1.475L	4
31	SK3310	DRIVE BELT, W/ LASER	2
32	S3624	DRIVE PULLEY	2
33	3387BL	BRACKET, SIDE PLATE, BLUE, (PP)	2
34	342625	AXLE, 3 HOLES, L24.25	2
35	S38226	WHEEL TUBE	4
36	11087	CLUTCH SPACER	6
37	S3016BL7	EZ BRUSH, BLUE 7.25 LG.	4
38	S30217	PIN, LOCK 0.15 ODx7.25 LG	4
39	3603	WASHER, NYL, 1 INC.ODx1/2D x1/16	4
40	A9201XC	BOTTOM LID ASSY AMX	1
41	2691	WHEEL, 2.75 INC. W/HOLE	4
42	2901	SCREW 10-32 x 1in, S.S. SLOTTED	4
43	A2307	JUNCTION BOX	1
44	2711	SCREW 8-32x2.75	8
45	2714	SCREW, 10-32 x 2.5in, 18-8 SS	2
46	S5313	FILTER SCREEN ASSY, DuraMAX	1
47	3101	UNDER MOTOR FLOAT	4
48	S22025WT	TOP HOUSING, WHITE	1
49	6012	CAPACITOR, MOTOR RUN W/ 2 PINS	1
51	220120C	REMOTE CONTROL	1
52	7088C-001	POWER SUPPLY	1
53	4400	PROPELLER	1



DuraMAX DUO Jr.

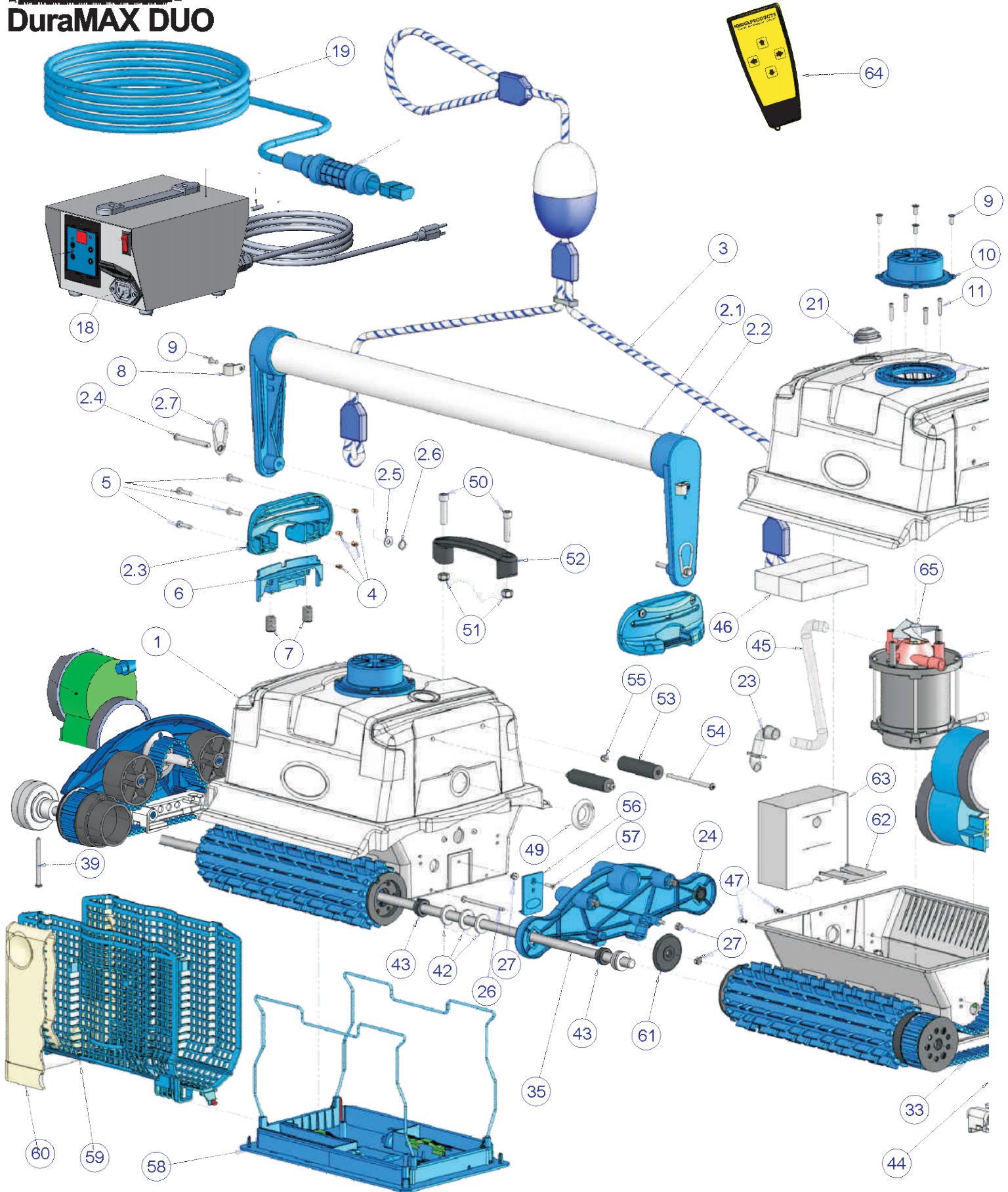


DuraMAX DUO Jr. REPLACEMENT PARTS

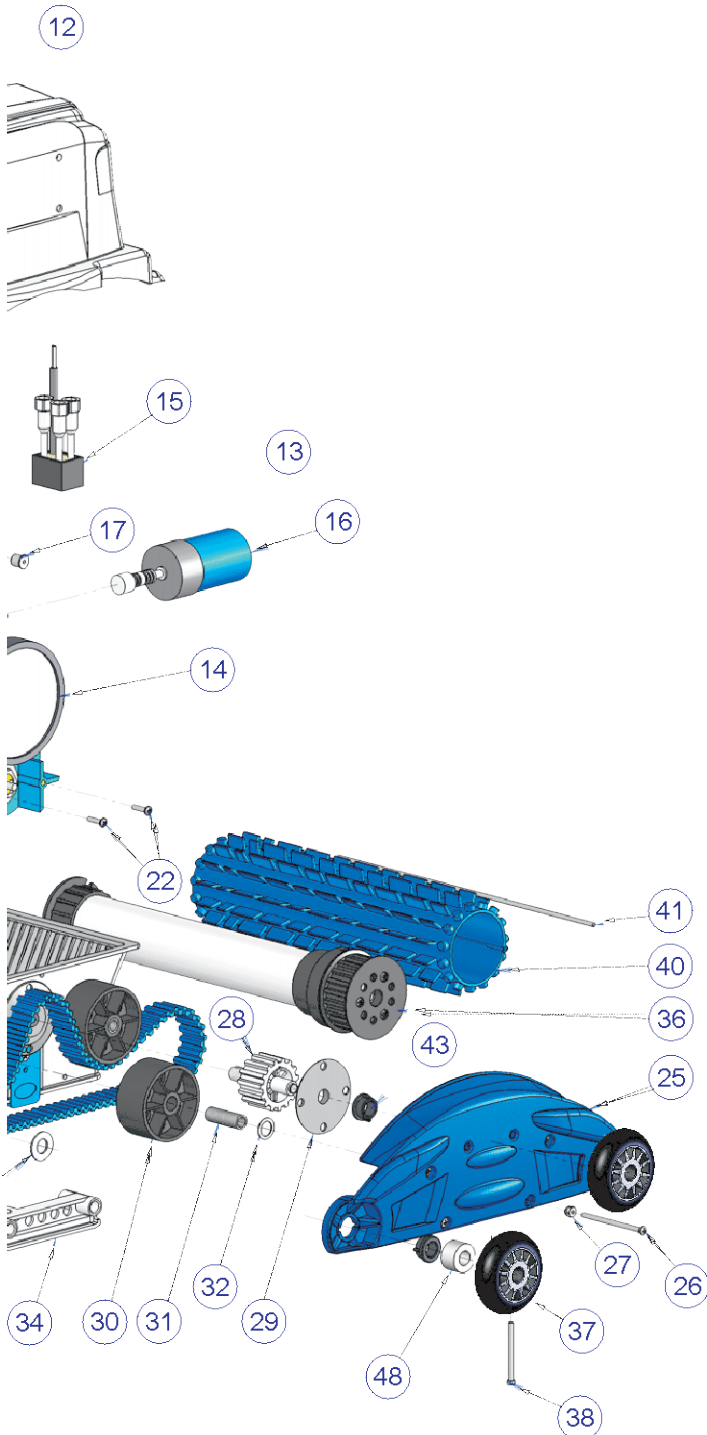


1	S22025WT2H	TOP HOUSING	1
2	22012	HOUSING, AQUAMAX, BOTTOM	1
3	S10312	HANDLE S.ASSY, W/OVAL BRACKET	1
4	2040BL	SWITCH, OVAL HANDLE BRACKET	2
5	5087	SPRING, LC 042G-5 S.S.	4
6	A8326	ROPE ASSY-UMAX PHV300	1
7	7109	S.S. WASHER 0.195x0.345x0.063	4
8	2304	SCREW 10-32x3/4 S.S.	8
9	5050	INSERT, BRASS, 10-32x0.371	4
10	3402	LOCK NUT M5 SS, NYLON INSERT	4
11	1628	GROMMET 0.375 IDx 1.375 OD	1
12	16151	CABLE, FLOATING 2 COND.W/PLUG	1
13	2109	CLAMP, BLUE, ELASTICIZED 7-16	2
14	2700	SCREW 8x11-16 PHIL PAN TYPE	6
15	2230B1	OUTLET, TOP, BLUE	2
16	2250BL2	OUTLET, BOTTOM, BLUE, LARGE	2
17	2260	SCREW S.S. #6x7-16	4
18	A6011	PUMP MOTOR ASSY, DMX, DMXBT	2
19	2251	SCREW #8-18 S.S. 3-4 LG. PHIL FLAT	4
20	A8582	DRIVE MOTOR, MASTER DMXDUO	1
21	A8578	DRIVE MOTOR, SLAVE W/4 PIN CON.	1
22	9204N	LOCK TAB FINGER-ROLL, BLUE	4
23	2303	LOCK TAB S.S. SCREW 8-32x0.5	4
24	7133	LOCK NUT 8-32 NYLON INSERT	12
25	2600BKT2	BUSHING, NYLON, BLACK	10
26	S2038BL	SIDE PLATE, ROUND, W/ 4 HOLES	2
27	2600	NYLON BUSHING ID 0.5	2
28	2606	WASHER, DELRIN .510 x .750x .032	4
29	3508	TENSION ROLLER	4
30	3621	FLANGE, PULLEY DMX	4
31	3626	BUSHING, S.S., .375ID. .5OD, 1.475L	4
32	SK3310	DRIVE BELT, W/ LASER	2
33	S3624	DRIVE PULLEY	2
34	3387BL	BRACKET, SIDE PLATE, BLUE, (PP)	2
35	342625	AXLE, 3 HOLES, L24.25	2
36	S38226	WHEEL TUBE	4
38	S3016BL7	EZ BRUSH, BLUE 7.25 LG.	4
39	S30217	PIN, LOCK 0.15 ODx7.25 LG	4
40	3603	WASHER, NYL, 1 INC.ODx1/2D x1/16	4
41	A9201XC	BOTTOM LID ASSY AMX	1
42	2691	WHEEL, 2.75 INC. W/HOLE	4
43	2901	SCREW 10-32 x 1in, S.S.	4
44	A2306	JUNCTION BOX	1
45	2711	SCREW 8-32x2.75	8
46	2714	SCREW, 10-32 x 2.5in, 18-8 SS	2
47	6012	CAPACITOR, MOTOR RUN W/ 2 PINS	2
48	S5313	FILTER SCREEN ASSY, DuraMAX	1
49	3101	UNDER MOTOR FLOAT	4
50	220120C	REMOTE CONTROL	1
51	4400	PROPELLER	2

DuraMAX DUO

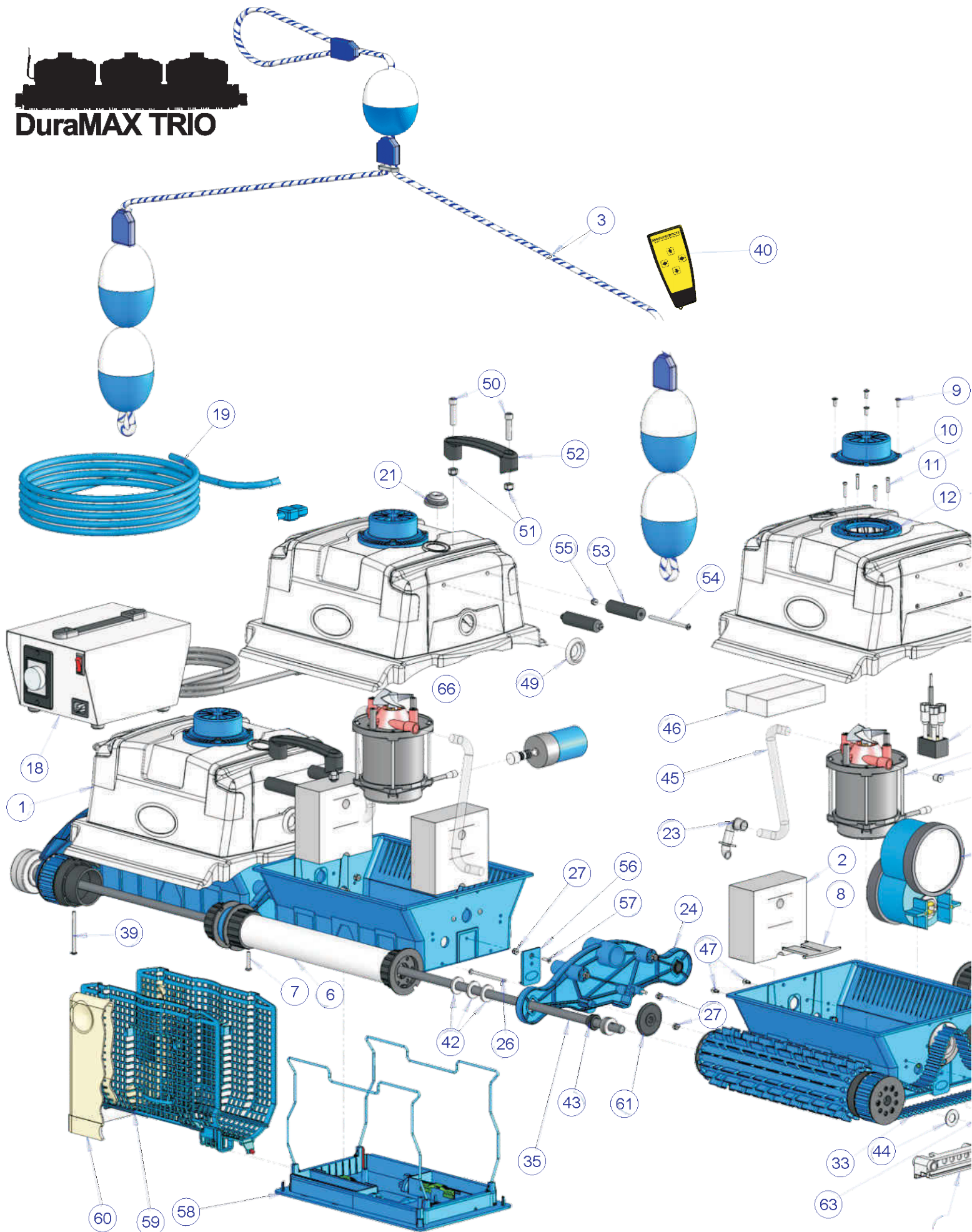


DuraMAX duo REPLACEMENT PARTS

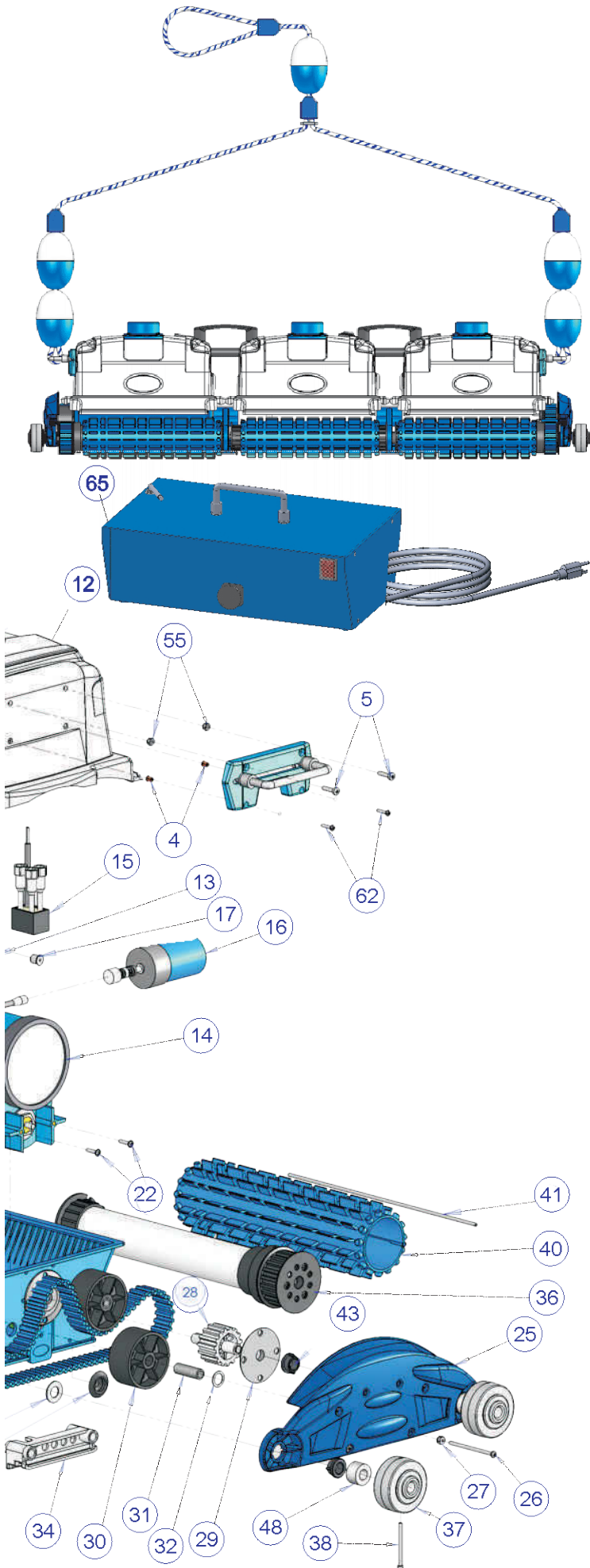


1	S2005WBL	BODY WHITE/BLUE	2
2	S10313	HANDLE, ASSY	1
2.1	1010	TUBE, ROUND, 26 - 1 1/2	2
2.2	100B	HANDLE, BLUE	2
2.3	S2039BL	HANDLE BRACKET, OVAL, BLUE	2
2.4	11003	CLEVIS PIN	2
2.5	11004	WASHER - FOR HANDLE BRACKET	2
2.6	11005	COTTER RING 3/16	2
2.7	11006	SNAP HOOK	2
3	A8328	ROPE ASSY - UMAX, PHV300	1
4	5050	BRASS INSERT - REVERS	8
5	2304	SCREW, S/S 10-32 x 3/4"	8
6	2040BL	SWITCH, OVAL BRACKET, BLUE	2
7	5087	SPRING, LC042G-5 S/S	4
8	2112	P CLIP - BLUE ELASTICIZED 7/16"	2
9	2260	SCREW - DUMAX	10
10	2230B1	OUTLET, TOP BLUE/DUMAX	2
11	2251	SCREW	8
12	2250BL2	OUTLET, BOTTOM BLUE LARGE	2
13	A601503	PUMP MOTOR 2 CONNECTORS	2
14	A8578	DRIVE MOTOR SLAVE	1
14	A8582	DRIVE MOTOR, MASTER 2 WIRES	1
15	A2306	JUNCTION BOX ASSY	1
16	6012	CAPACITOR RUN 2 PIN MALE	2
17	6011	PLUG, OIL	2
18	A7185	POWER SUPPLY ASSY	1
19	16151	CABLE, FLOATING 2 COND120FT	1
21	1626	GROMMET FLOATING CABLE - 3/8"	1
22	2700	SCREWS - SIDE PLATE /DRIVE	4
23	3386WT	NOZZLE - JET BRACKET WHITE	2
24	3388BL	BLUE MIDDLE PLATE	1
25	S2038BL	SIDE PLATE, BLUE W/4 HOLES	2
26	2711	SCREW, 8-32 X 2 3/4"	12
27	7133	LOCK NUT - FOR LOCK TUBS	16
28	S3624	DRIVE PULLEY, S/S DMX	2
29	3621	FLANGE, PULLEY DMX	4
30	3508	TENSION ROLLER 2008(BLACK)	4
31	3626	BUSHING, S/S DMX	4
32	2606	WASHER, .515 X .750 X .032	4
33	SK3310	DRIVE BELT, BLUE W/TH LABOR	2
34	3387BL	BRACKET, SIDE PLATE BLUE (PP)	2
35	342626	AXLE - S/S W/3 HOLES	2
36	S38228	WHEEL TUBE S/ASSY, DUO 2009	4
37	2691	WHEEL - 2.75" W/ HOLE	4
38	2901	SCREW- WHEEL TUBE - OUTER	4
39	2268	SCREW-WHEEL TUBE -INNER	2
40	3016BL	EZ BRUSH BLUE 12"	4
41	3021	PIN FOR SUPER-BRUSH- ABTRT	4
42	2607	WASHER, .515 X 1.00 X .125.	12
43	2600BKT2	BUSHING BLACK	14
44	3603	WASHER - NYLON	4
45	300096	TUBING - CLEAR-- JET BRACKET	2
46	3101	FLOAT-UNDER MOTOR -DUMAX	4
47	300106	PLASTIC SNAP HEAD RIVET	4
48	3603	WASHER, NYLON FLAT 1"OD X 1/2"IDX1/164	2
49	8351	CAP PLUG - -WHITE PLASTIC	2
50	2716	SCREW-for top handle	2
51	2717	NUT, LOCK 5/16-18 NYLON INSERT	2
52	S7010	HANDLE, ASSY	1
53	2905	TOP SPACER, BLACK ABS 0.75"x 2.5"	2
54	8323	SCREW LONG MIDL/JMAX/DUMAX	2
55	3402	USE SP3102 - NUT, HEX LOCK M5	2
56	9204N	LOCK TAB	4
57	2303	SCREW - LOCK TAB	4
58	A9600BL	BOTTOM LID, BLUE	2
59	5310	FILTER SCREEN	2
60	8111	FILTER BAG- FINE	2
61	3393BK	WHEEL- BLACK-SMALL	2
62	3477	BRACKET IG JET	2
63	3109	FLOAT THUNDERJET IG/AQUAJET	2
64	220120C	REMOTE CONTROL	1
65	4400	PROPELLER	2

DuraMAX TRIO



DuraMAX TRIO REPLACEMENT PARTS



1	S2005WBL	BODY BRIGHT WHITE/BLUE.	3
2	3109	FLOAT THUNDERJET IG/AQUAJET	4
3	A8324	ROPE ASSY	1
4	1110	INSERT, BRASS, 6-32	4
5	2304	SCREW, S/S 10-32 x 3/4"	4
6	S38228	WHEEL TUBE ASSY, CENTER	2
7	3401	SCREW CENTER WHEEL TUBE	2
8	3477	BRACKET IG JET	4
9	2260	SCREW	12
10	2230B1	OUTLET, TOP BLUE/DUMAX	3
11	2251	SCREW	12
12	2250BL2	OUTLET, BOTTOM BLUE LARGE	3
13	A601503	PUMP MOTOR ASSY, 2 PIN M/F	3
14	A8561	DRIVE MOTOR SLAVE DUMAX	1
14	A8559	DRIVE MOTOR, MASTER	1
15	A2302	JUNCTION BOX ASSY	1
16	6012	CAPACITOR W/2 PIN MALE CONN	3
17	6011	PLUG, OIL.	2
18	A7168	POWER SUPPLY ASSY	1
19	A164150	CABLE ASSY, 4 WIRES, 150FT	1
21	1626	GROMMET FLOATING CABLE - 3/8"	1
22	2700	SCREW	4
23	3386WT	NOZZLE - JET BRACKET WHITE	4
24	3388BL	BLUE MIDDLE PLATE	2
25	S2038BL	SIDE PLATE, BLUE W/4 HOLES	2
26	2711	SCREW, 8-32 X 2 3/4"	16
27	7133	LOCK NUT - FOR LOCK TUBS	22
28	S3624	DRIVE PULLEY, S/AS DMX	2
29	3621	FLANGE, PULLEY DMX	4
30	3508	TENSION ROLLER 2008(BLACK)	4
31	3626	BUSHING, S/S DMX	4
32	2606	WASHER, .515 X .750 X .032	4
33	SK3310	DRIVE BELT, LASERED	2
34	3387BL	BRACKET, SIDE PLATE BLUE (PP)	2
35	342627	AXLE, SS, WITH 4 HOLES	2
36	S38228	WHEEL TUBE ASSY, DUO 2009	4
37	2691	WHEEL -2.75" W/ HOLE	4
38	2718	SCREW- WHEEL TUBE - OUTER	4
39	2268	SCREW-WHEEL TUBE -INNER	2
40	3016BL	SUPER BRUSH	6
41	3021	PIN FOR SUPER-BRUSH	6
42	2607	WASHER, .515 X 1.00 X .125.	24
43	2600BKT2	BUSHING BLACK	20
44	3603	WASHER - NYLON	4
45	300096	TUBING JET BRACKET	4
46	3101	FLOAT-UNDER MOTOR	4
47	300106	PLASTIC SNAP HEAD RIVET	8
48	2606	WASHER	4
49	8351	CAP PLUG PLASTIC	4
50	2716	SCREW-for top handle	4
51	2717	NUT, LOCK 5/16-18 NYLON INSERT	4
52	S7010	HANDLE, ASSY	2
53	2905	TOP SPACER, BLACK 0.75"x 2.5"	4
54	8323	SCREW LONG	4
55	3402	USE SP3102 - NUT, HEX LOCK M5	8
56	9204N	LOCK TAB WHITE	6
57	2303	SCREW - LOCK TAB -BODY	6
58	A9600BL	BOTTOM LID, BLUE	3
59	5310	FILTER SCREEN	3
60	8111	FILTER BAG- FINE	3
61	3393BK	WHEEL- BLACK-SMALL	4
62	1129	SCREW, PAN HEAD 6-32 L1/2	4
63	700014	CAP PLUG 3/4, BLACK	2
64	220120C	REMOTE CONTROL	1
65	A7168	POWER SUPPLY	1
66	4400	PROPELLER	2

WARRANTY

Servicing

On a Yearly/Seasonal basis we recommend that you have your cleaner inspected by Aqua Products Inc. or one of its Authorized Service Centers. This will help ensure that your cleaner will continue to provide you with years of trouble free operation. Contact our Commercial Service Department Toll-free at 1-888-278-2832 or e-mail CommercialService@AquaProducts.com to schedule servicing, review warranty, or inquire about technical service issues. To service your cleaner properly, a Return Authorization Number must be assigned to your cleaner. To receive this number please contact our customer service department. **NO UNITS CAN BE SERVICED WITHOUT A PRIOR RETURN AUTHORIZATION NUMBER FROM AQUA PRODUCTS. UNITS WITHOUT A PROPER RETURN AUTHORIZATION NUMBER WILL BE REFUSED.**

This automatic pool cleaner has been manufactured, tested and inspected in accordance with carefully specified engineering requirements. Aqua Products Inc. warrants that your automatic pool cleaner is free from defects in workmanship and materials under normal use and service, subject to qualifications, conditions and limitations as described below.

1. TO WHOM EXTENDED - This warranty extends to the first consumer purchaser only for the specified period from the date of the original purchase.
2. PARTS NOT COVERED BY WARRANTY - Wear and tear items, such as drive belts, drive tracks, brushes, axles, wheels and filter bags are not covered. These items require replacement in the ordinary course of use due to normal wear. Therefore, these parts are not covered by this warranty.
3. PREVENTATIVE MAINTENANCE - Your cleaner requires a minimum amount of preventative maintenance as outlined in your operator's manual. Failure to observe this will void the warranty.
4. IMPROPER USE - This warranty covers only normal use for commercial pools in the United States of America only. Damage, defects or any use which does not comply with the instructions in the Operator's Manual are excluded.
5. UNAUTHORIZED REPAIR - Damage, defects, malfunctions or other failure caused by repair, which is done by anyone other than an Authorized Service representative of Aqua Products Inc., shall not be covered.
6. TRANSPORTATION COSTS : All shipping and/or transportation costs incurred to and from the Company and/or its authorized dealer/service center agent(s) in presenting a cleaner for repair under this warranty are excluded. Such costs are the sole responsibility of the purchaser.
7. LEGAL LIMITATIONS : No agent, representative, dealer or employee of Aqua Products Inc. has the authority to increase or alter the obligations of this warranty.
8. TO VALIDATE THIS WARRANTY - The enclosed warranty registration card must be mailed within ten (10) days of purchase accompanied with a copy of the original proof of purchase or sales slip. No warranty service will be performed unless Aqua Products Inc. has received this material.

NOTE: This limited warranty is in lieu of all other express warranties, obligations or liabilities. ANY IMPLIED WARRANTIES, OBLIGATIONS OR UTILITIES INCLUDING, BUT NOT LIMITED TO, ANY IMPLIED WARRANTY OF MERCHANTABILITY, SHALL BE LIMITED IN DURATION TO THE PERIOD OF TIME OF THIS EXPRESS WRITTEN LIMITED WARRANTY. ANY ACTION FOR BREACH OF ANY WARRANTY HEREUNDER, INCLUDING, BUT NOT LIMITED TO, ANY IMPLIED WARRANTY OF MERCHANTABILITY, MUST BE BROUGHT WITHIN A PERIOD OF EIGHTEEN (18) MONTHS FROM DATE OF ORIGINAL PURCHASE. IN NO CASE SHALL AQUA PRODUCTS INC. BE LIABLE FOR ANY CONSEQUENTIAL DAMAGES FOR BREACH OF THIS OR ANY OTHER WARRANTY, EXPRESS OR IMPLIED, WHATSOEVER.

Some states do not allow the exclusion or limitations of incidental or consequential damages, so the above exclusion may not apply to you. This limited warranty is valid and enforceable only in the United States of America on units owned and normally operated in the United States of America. This warranty gives you specific legal rights and you may also have other rights, which vary from state to state.

2 YEAR LIMITED WARRANTY - Duration of Limited Warranty: Two (2) year from original date of purchase except for plastic parts (covered during first year only). Subject to the warranty conditions above, during the twenty-four (24) months from original date of purchase, Aqua Products, Inc., shall make any necessary repairs, including parts and labor, at no charge.

1 YEAR LIMITED WARRANTY for DuraMAX Jr. HT and Duramax Jr.T RC. Duration of Limited Warranty: One (1) year from original date of purchase except for plastic parts (covered during first year only). Subject to the warranty conditions above, during the twelve (12) months from original date of purchase, Aqua Products, Inc.,