

8" ROUND RETROFIT MOFLOW™ SUCTION OUTLET COVER WITH SCREW AND BUSHING KIT

VGB Series

The AquaStar line of suction outlet covers, compliant with the Virginia Graeme-Baker Pool and Spa Safety Act (ANSI/APSP 16-2011 and NSF/ANSI 50-2009a)

FEATURES

For single or multiple drain use in existing frames and sumps
3" sump depth
(see installation instructions)

Single –
Floor: 146 GPM at 2.9 fps
Wall: 130 GPM at 2.6 fps

16.1 square inch opening

Three sets of different stainless steel screws

Manufactured from superior UV-resistant engineered polymers

Easily and safely retrofits most brands' existing 8" frames and sumps that the 8MFxxx does not fit. Does not include mud frame

Meets or exceeds ANSI/APSP 16-2011 and NSF/ANSI 50-2009a national standards and ASTM G154 UV testing

Replace drain cover every five years from the date of installation

32 per case



Part # R8MFxxx

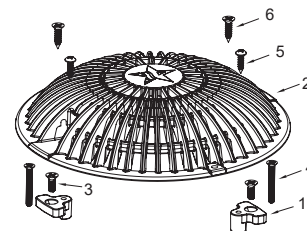
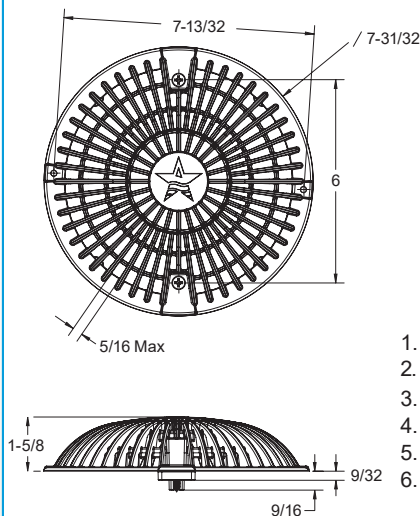
Fits: AquaStar "R" 8" models, Alloy Brass Foundry (ABF), Afras, Splash, Sta-Rite, Swimquip, Caretaker/Polaris, Advanced (APP), Hayward and certain Custom Molded (CMP). At least two mud frame screws must be used to secure cover.

STANDARD COLORS

- R8MF101 – White
- R8MF102 – Black
- R8MF103 – Light Gray
- R8MF104 – Blue
- R8MF105 – Dark Gray
- R8MF108 – Tan

Replaces p/n RLP8AVxxx/
R8HPxxx

VGB 2008 Compliant



1. 8" Round Retrofit Suction Outlet Adapter, Qty 2
2. 8" Round Retrofit MoFlow Suction Outlet Cover
3. 10 x 3/4" Flat Head Phillips, 316 SS, Qty 2
4. 10 x 1" Flat Head Phillips, 316 SS, Qty 2
5. 8 x 5/8" Pan Head Phillips, 316 SS, Qty 2
6. 10-24 x 1/2" Flat Head Machine, 316 SS, Qty 2

NOT ALL SCREWS AND HARDWARE USED FOR ALL INSTALLATIONS