

New! ML300



The ML300 is a flanged mounted pool lift that is ideal for a wide range of pool applications. The ML300 comes standard with our new LiftOperator® Control System.

- Third party tested & verified ADA Compliant
- 300 lb/136 kg lifting capacity
- Retrofit anchor jig is standard
- Flange mounted with 4 anchor bolts
- LiftOperator® Intelligent Control includes a 24 Volt rechargeable battery
- Powder-coated stainless steel and aluminum construction



Lift Color



Due to printing technology actual color may differ.

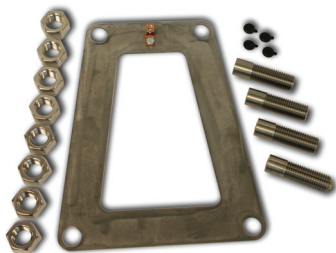
Model No.	Description	Shipping – (Class 85)			
		Weight	Length	Width	Height
575-3000	ML300	190 lbs	56"	23"	23"
575-3000N	ML300, no anchor	190 lbs	56"	23"	23"
575-3005	ML300 with armrest	190 lbs	56"	23"	23"
575-3005N	ML300 with armrest, no anchor	190 lbs	56"	23"	23"

Note:

- Includes battery, charger, battery console cover, water-resistant hand control, footrest, seat belt assembly and retrofit anchor jig.

Parts & Accessories

- 170-1000 Arm Rests
- 500-5200 Total Cover
- 1001495 Battery
- 300-6900 New multiLift Anchor Kit
- 970-0000 Seat Saver Cover



New Construction Jig with Anchors
500-5000A

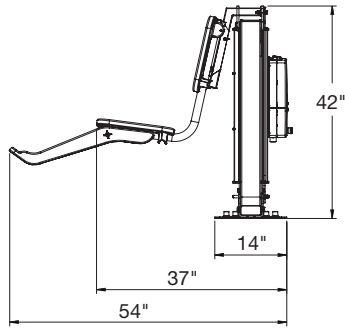
ML300 and multiLift Comparison

FEATURES	ML300	multiLift™
Weight Capacity	300 lbs.	350 lbs.
3rd Party Verified ADA Compliant	YES	YES
Arm Rests	YES	YES
Total Cover Option	YES	YES
Key Activation System	NO	YES
Folding Seat Option	NO	YES
Wheel-A-Way Option	NO	YES

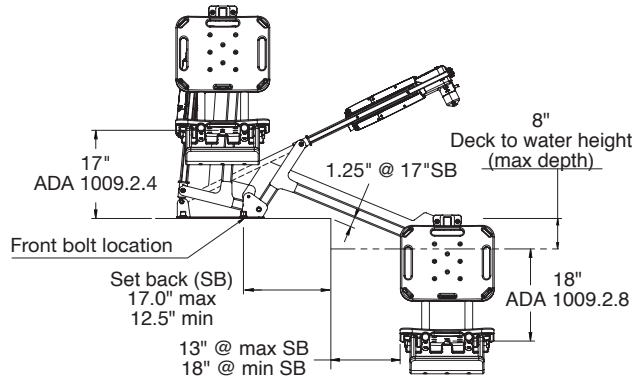
A completed Deck Profile form is required with your pool lift order.

New Construction Guidelines

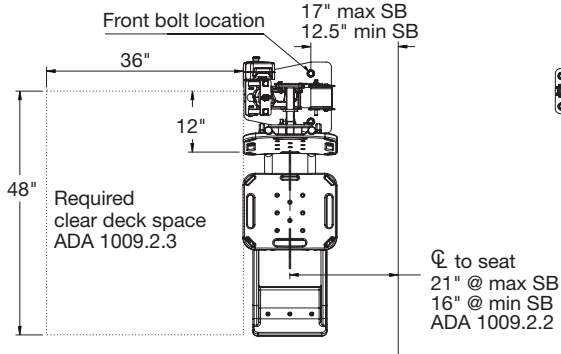
Scenario	Pool Lift	Anchor Jig
Order pool lift and new construction jig at same time	575-3000	500-5000 (no anchors)
Order new construction jig ahead of pool lift	575-3000N	500-5000A (comes with anchors)



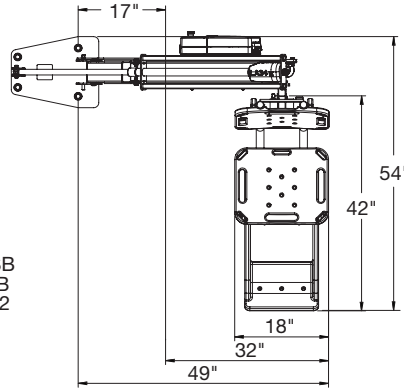
**FRONT VIEW
(Retracted)**



RIGHT VIEW



**TOP VIEW
(Retracted)**



**TOP VIEW
(Extended)**