

8" ROUND MOFLOW[™] SUCTION OUTLET COVER AND MUD FRAME

VGB Series

The AquaStar line of suction outlet covers, compliant with the Virginia Graeme-Baker Pool and Spa Safety Act (ANSI/APSP 16-2011 and NSF/ANSI 50-2009a)

FEATURES

For single or multiple drain use
3" sump depth
(see installation instructions)

Single –

Floor: 166 GPM at 3.2 fps
Wall: 113 GPM at 2.2 fps

Floor/wall: 77.8 GPM at 1.5 fps
Floor/wall: 51.9 GPM at 1.0 fps

16.6 square inch opening

Additional sump and frame versions
also available

#316 stainless steel screws

Manufactured from superior
UV-resistant engineered polymers

Meets or exceeds ANSI/APSP 16-2011 and
NSF/ANSI 50-2009a national standards
and ASTM G154 UV testing

Replace every five years from the date
of installation

36 per case

U.S. patent D621009



Part # 8MFxxx

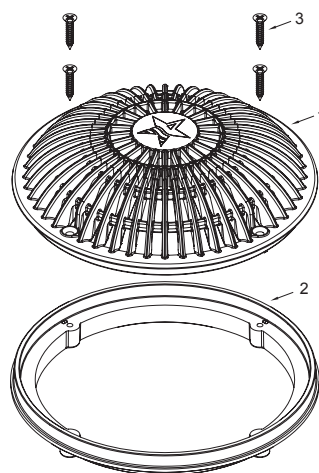
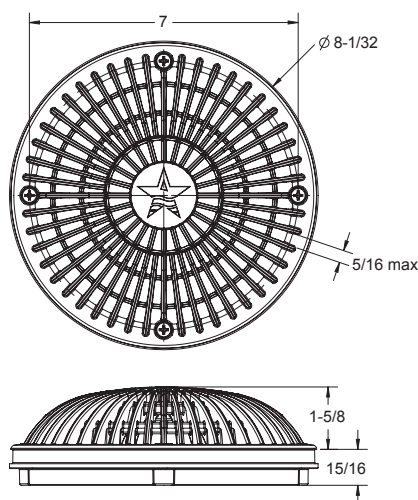
Fits: AquaStar (all standard 8" models), American, Pentair, Color Match, Waterway and most Custom Molded (CMP). At least two mud frame screws must be used to secure cover.

STANDARD COLORS

- 8MF101 – White
- 8MF102 – Black
- 8MF103 – Light Gray
- 8MF104 – Blue
- 8MF105 – Dark Gray
- 8MF108 – Tan

Replaces p/n
8AVWRxxx, 8HPxxx and 8FUWxxx

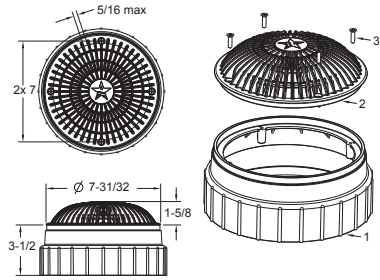
VGB 2008 Compliant



1. 8" round MoFlow suction outlet cover
2. 8" round mud frame
3. #10 x 1" lg flat head Phillips Type A screw, 316 ss, qty 4

ADDITIONAL PRODUCT CONFIGURATIONS FOR 8MFXXX

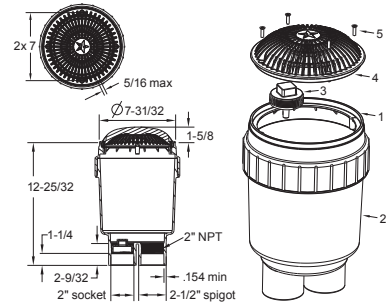
Double-Deep Sump



1. 8" round double deep frame
2. 8" MoFlow suction outlet cover
3. #10 x 1" flat head Phillips screw, 316 ss, qty 4

Part #
8MFxxxA
4 per case

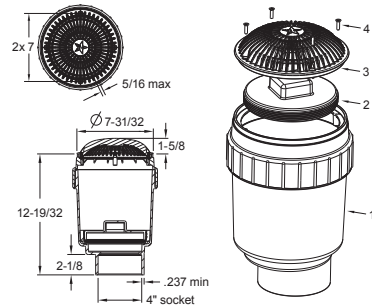
Dual-Port 2 1/2" Spigot x 2" Socket Deep PVC Sump



1. 8" round double deep frame
2. Dual-port 2-1/2" spigot x 2" socket deep PVC sump
3. 2" tapered pipe thread plug
4. 8" MoFlow suction outlet cover
5. #10 x 1" flat head Phillips screw, 316 ss, qty 4

Part #
8MFxxxB
4 per case

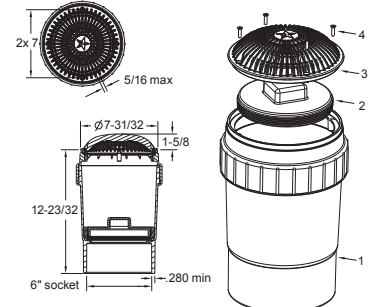
4" Socket Deep PVC Sump



1. 4" socket deep PVC sump
2. 4" NPT plug, deep sump bucket
3. 8" MoFlow suction outlet cover
4. #10 x 1" flat head Phillips screw, 316 ss, qty 4

Part #
8MFxxxD
4 per case

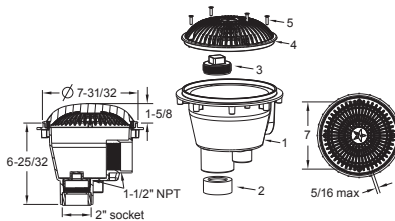
6" Socket Deep PVC Sump



1. 6" socket deep PVC sump
2. 4" NPT plug, deep sump bucket
3. 8" MoFlow suction outlet cover
4. #10 x 1" flat head Phillips screw, 316 ss, qty 4

Part #
8MFxxxF
4 per case

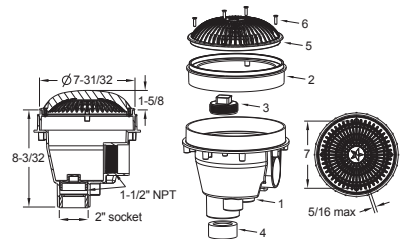
Standard ABS Sump with 1 1/2" NPT and 2" Socket



1. 8" sump bucket for 8" drain cover
2. 2" socket x 1-1/2" socket pipe reducer
3. 2" NPT port plug
4. 8" MoFlow suction outlet cover
5. #10 x 1" flat head Phillips screw, 316 ss, qty 4

Part #
8MFSBxxx
8 per case

Standard ABS Sump with Adjustable Collar, 1 1/2" NPT, 2" Socket



1. 8" sump bucket for adjustable collar
2. 8" sump bucket adjustable collar
3. 2" NPT port plug
4. 2" socket x 1-1/2" socket pipe reducer
5. 8" MoFlow suction outlet cover
6. #10 x 1" flat head Phillips screw, 316 ss, qty 4

Part #
8MFSBACxxx
8 per case