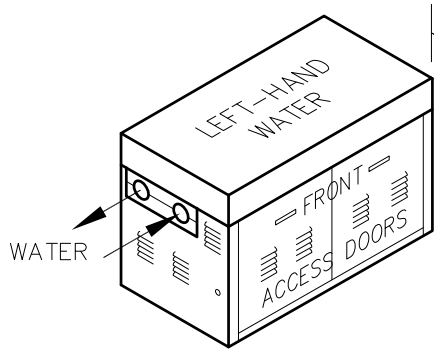
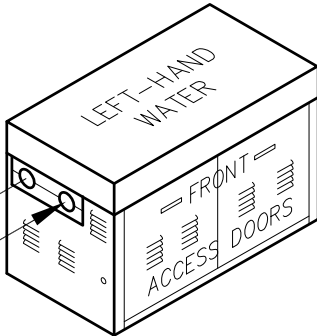


CATALOG NO.: **8600.10D** EFFECTIVE: **6-2-08**

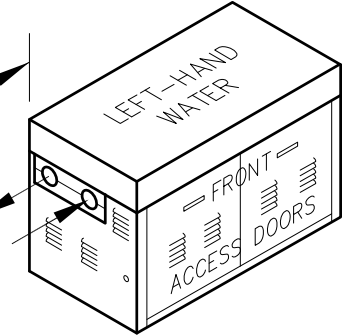
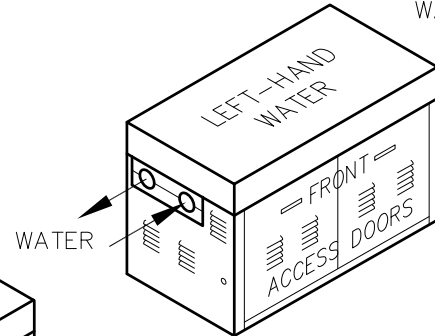
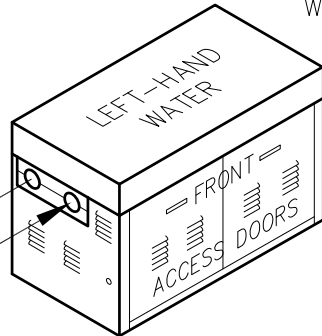
REPLACING: **8600.10C** EFFECTIVE: **2-15-99**



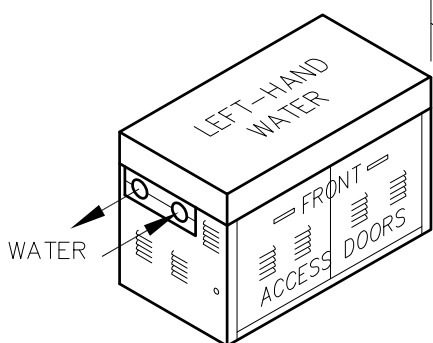
FRONT TO BACK



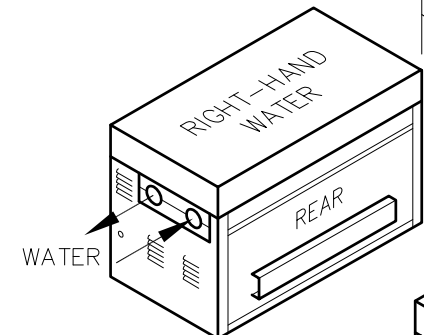
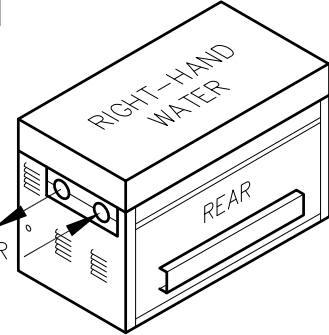
STANDARD



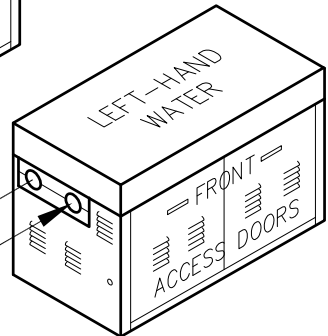
END TO END



FRONT TO FRONT



BACK-TO-BACK



- NOTES:
- 1 SIZES 181-1826: 30" MINIMUM.
SIZES 2100-4001: 50" MINIMUM.
 - 2 SIZES 181-1826: 30" MINIMUM.
SIZES 2100-4001: 61" MINIMUM.

- 3. SEE MANUAL FOR CLEARANCES TO COMBUSTIBLE SURFACES.
- 4. ENSURE THAT INSTALLATION COMPLIES WITH LOCAL AND STATE CODES.

MINIMUM CLEARANCES BETWEEN RAYTHERM BOILERS FOR MULTIPLE-BOILER INSTALLATIONS SIZES 181 - 4001

REVISED:	Raypak OXNARD CA	
DRAWN: D BALDWIN		
DATE: 3-5-98	8127	C

ACAD: 8127. DWG