



# **INSTALLATION AND USERS GUIDE**

***X STREAM SOL DRIVER (COLOR) J,H,P and SAVI Series  
X STREAM BLANCO PRO DRIVER (WHITE)***

## **IMPORTANT WARNING & SAFETY INSTRUCTIONS**

---

**DANGER** - SERIOUS BODILY INJURY OR DEATH CAN RESULT IF THESE LIGHTS ARE NOT INSTALLED AND USED CORRECTLY

**DANGER** - INSTALLERS, POOL OPERATORS AND POOL OWNERS MUST READ THESE WARNINGS AND ALL INSTRUCTIONS BEFORE USING THESE LED LIGHT DRIVERS

**WARNING** - Before installing this product, read and follow all warning notices and instructions in this Guide. Failure to follow warnings and instructions can result in severe injury, death or property damage. For more information contact company at numbers contained within Guide.

**WARNING** - These LED Light Drivers MUST BE installed by a licensed or certified electrician or a qualified pool professional in accordance with the National Electric Code (NEC) or the Canadian Electric Code (CEC), CSA C22.1. All applicable local installation codes and ordinances must also be adhered to. Improper installation will create an electrical hazard which could result in death or serious injury to pool users, installers or others due to electrical shock.

**ALWAYS DISCONNECT THE POWER BEFORE SERVICING.**

---

**IMPORTANT NOTICE - ATTENTION INSTALLER:** This Installation and Users Guide contains important information about the installation, operation and safe use of this LED Light Driver. This Guide should be given to the owner and/or operator of this equipment.

**READ AND FOLLOW ALL INSTRUCTIONS**  
**SAVE THESE INSTRUCTIONS**

Products in this Guide are covered under one or more of the following patents: 6,827,464 7,244,037 6,971,760  
5,617,496 5,617,497 5,789,471  
5,528,714 5,33,228 6,200,012  
6,48,952 6,422,730 6,367,100  
6,398,397 6,393,192 6,375,342  
7,204,602 7,229,027

9400 Southridge Park Ct #200 Orlando FL 32819  
Tel: 407.855.5630 Fax: 407.210.8679  
savilight.com

The following are registered trademarks and designs of Zodiac Pool Systems: Savi, Endglow, Sideglow Oasis

# INSTALLATION INSTRUCTIONS



## SERVICABLE PRODUCT

## X Stream LED Drivers

READ AND FOLLOW ALL INSTRUCTIONS CAREFULLY

### ⚠ CAUTION! SAFETY PRECAUTIONS

⚠ SAVI Lights are a low voltage light and should NEVER be electrically connected to a power source other than an approved pool "Safety Rated" UL Listed outdoor rated Class 3, 12VAC Transformer. Failure to comply will either damage or destroy SAVI Lights and VOID the Warranty.

### ⚠ TURN OFF MAIN POWER TO LIGHT BEFORE INSTALLATION /SERVICE

**NOTE:** No separate ground or bonding wire is required for the Blanco Pro or SOL low voltage lights which have no exposed metal.

Product Names    WATTS    AMPS

X Stream BLANCO PRO    20    1.67

X Stream SOL    28    2.3

All products listed above come in a variety of cord length  
Typical Lengths are: 100 & 150FT

LIGHTS ARE SERVICABLE - DO NOT REMOVE ENCLOSURE/CORD FROM CONDUIT

Welcome to the most innovative LED Feature Lighting Devices in the pool & spa market today. These Light Drivers produce a powerful LED Lighting source that when combined with numerous Savi X Stream Lighting Feature Products, allow for incredible lighting effects to occur in and around swimming pools and spas.

### X Stream Sol (color) or X Stream Blanco Pro (white)



The driver identified is for use with ONLY a Class 3 UL Listed 12VAC Transformer and can be identified by the 2 conductor cord. We highly recommend the use of Intermatic PX100 or PX300 transformers.

An example of an approved pool transformer is the Intermatic model PX-100 or PX-300. Refer to WIRE GAUGE AND WIRE LENGTH guide for proper wire gauge size in reference to the use of Junction Boxes installations. NOTE: SAVI Lights can be used with any UL Listed outdoor rated Class 3, 12VAC transformer provided the wattage and amperage is not exceeded by the total wattage and amperage in use.

# OPERATION INSTRUCTIONS

## Synchronization Process for LED Color Lights & Drivers

**Important Note: All fixtures must be tied into the same transformer, circuit or switch for synchronization to occur.**

### LIGHT SYNCHRONIZATION

1. Turn the lights on and wait for 20 seconds. The lights will first come on white for 10-15 seconds and then return to the color mode it was on prior to being turned off. (If this is the initial installation, the lights will return to whatever mode they were in when last receiving power).
2. Do not move to the next step until step one is complete.
3. To synchronize lights, turn the lights off, wait 6-9 seconds and then turn them back on. You should see three quick flashes (red, green & blue), and then all the lights will reset to the first color mode (Treasure Island).
4. (A) If you do not see three quick flashes then the lights did not reset.  
(B) If you did not wait long enough (shorter than 6 seconds) the lights will advance to their next color mode. They are not synched as each light could be in different color modes.  
(C) If you wait too long (longer than the 9 seconds) they all will go to white for 10-15 seconds, looking like they're synched BUT AFTER 15 seconds they will return to their previous color mode (which at this point the lights are still unsynchronized).
5. Repeat step 1 - 3 until synchronization is accomplished.
6. To confirm the lights have been synchronized (Treasure Island Mode) - the best way is to: turn the lights off for 1-2 seconds and turn back on – DO THIS TWICE. All the lights should be in the SAVI BLUE color mode. If they are all fixed on BLUE – you have now synchronized your lights. If not – turn the lights off for more than 20 seconds – Turn back on and proceed to Step 1.

### OPERATING THE LIGHT

7. To move to the next color mode, Turn the lights off for 1-2 seconds and turn back on. Repeat until desired color mode is found.

Example: If you followed step six and are now on SAVI Blue and want the lights to be White, then the lights must be turned off and on (7) seven times to bring you to Moonlight White.

1. Treasure Island / Slow color change
  2. Moonlight White / Fixed White
  3. SAVI Blue / Fixed Blue
  4. Sargasso Sea / Fixed Green
  5. Blue Lagoon / Fixed Light Blue
  6. Passion Pink / Fixed Magenta
  7. Caribbean Hues / Blue and Green Slow Color Change
  8. Copacabana / Magenta, Yellow and Orange Slow Color Change
  9. Dance party / Multi Color Strobe Effect
8. The lights have memory. If the lights are off for 10 seconds or more, the next time the lights are turned on, they will go to white for approximately 10-15 seconds and then return to the last color mode they were on prior to being turned off (Step 1 listed above). This function allows you to keep your lights returning to your favorite color mode every time the lights are turned back on.

# IMPORTANT: READ FIRST

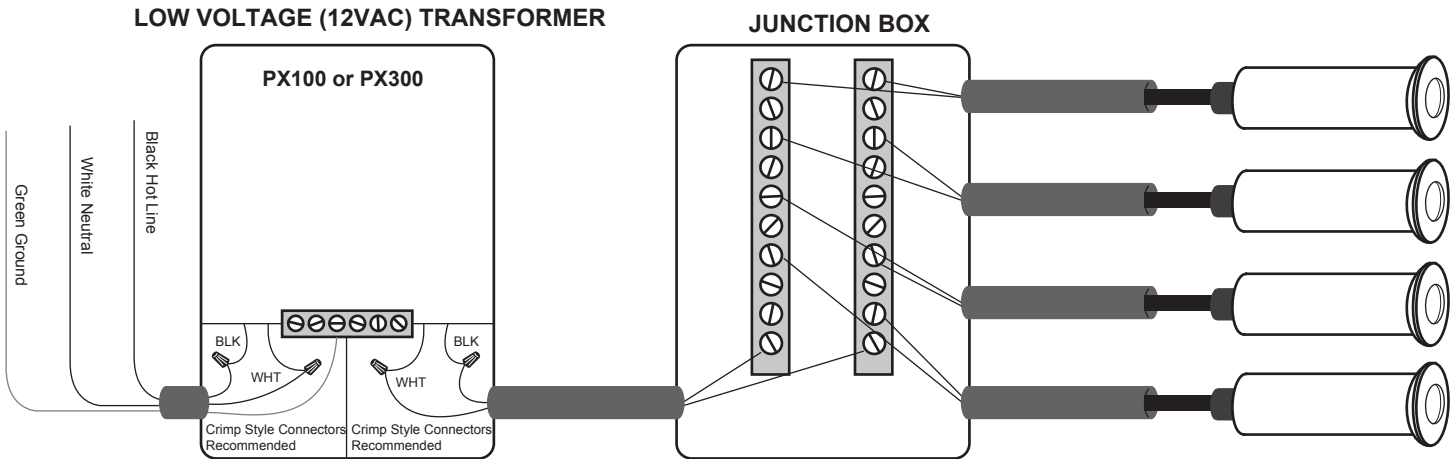


**SAVI LED LIGHT DRIVERS ARE LOW VOLTAGE FIXTURES. IMPROPER WIRE GAUGE AND WIRE LENGTH CAN AFFECT THE PERFORMANCE OF THESE PRODUCTS. FOLLOW THE GUIDES BELOW TO DETERMINE THE PROPER OPERATION AND OPTIMUM PERFORMANCE OF SAVI LIGHT DRIVERS.**

## WIRE GAUGE & WIRE LENGTH GUIDE

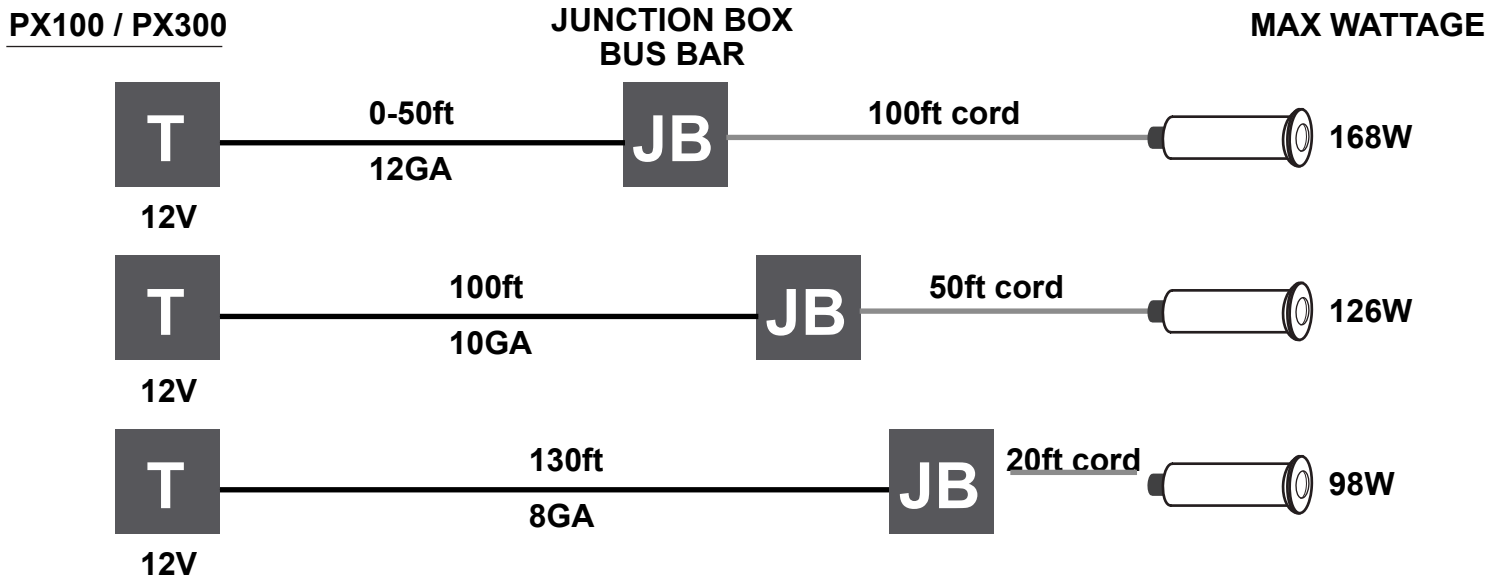
**NOTE:** Min. 12VAC: / Max 13VAC. The maximum run of service between transformer and lights should not exceed 150ft in total length, inclusive of the use of J Box or not.

**When J-Box used all voltage readings are to be taken at J-Box when all Lights are set on WHITE. When Lights are connected directly to transformer, voltage readings are taken at transformer with Lights on WHITE.**



**NOTE:** This Diagram is to be used as a guide line only for a typical System Installation and should only be used as such. It is the Installers sole responsibility to verify and assure that proper gauging of secondary wiring from the Transformer to the J-Box are in compliance with your local, State and National Electrical Codes.

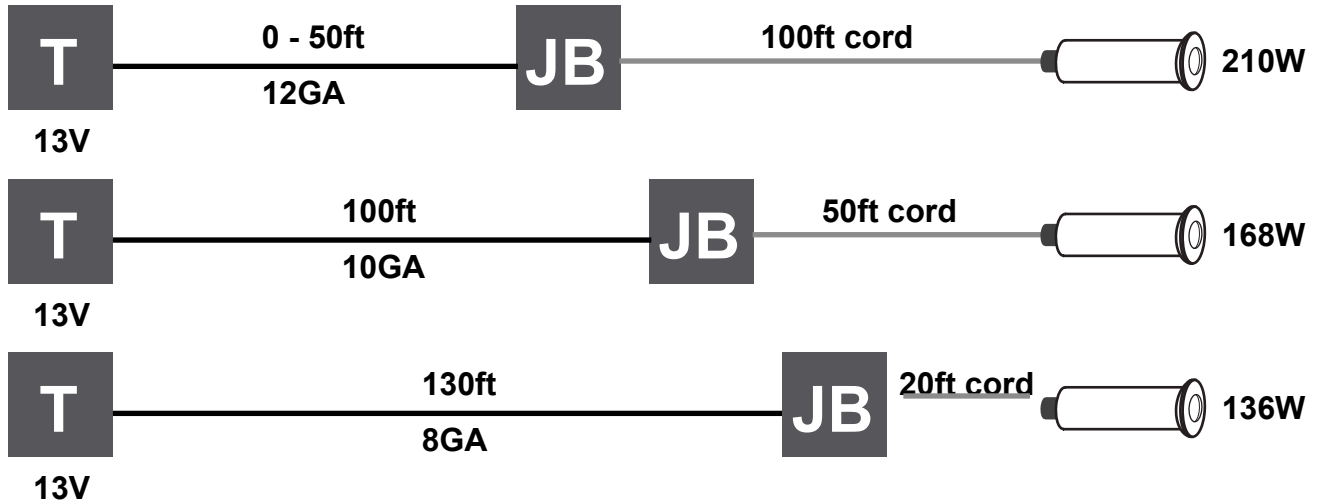
**NOTE:** The use of Solid Core over Stranded wire and terminating at Bus Bars is strongly recommended.



**PX100 / PX300**

**JUNCTION BOX  
BUS BAR**

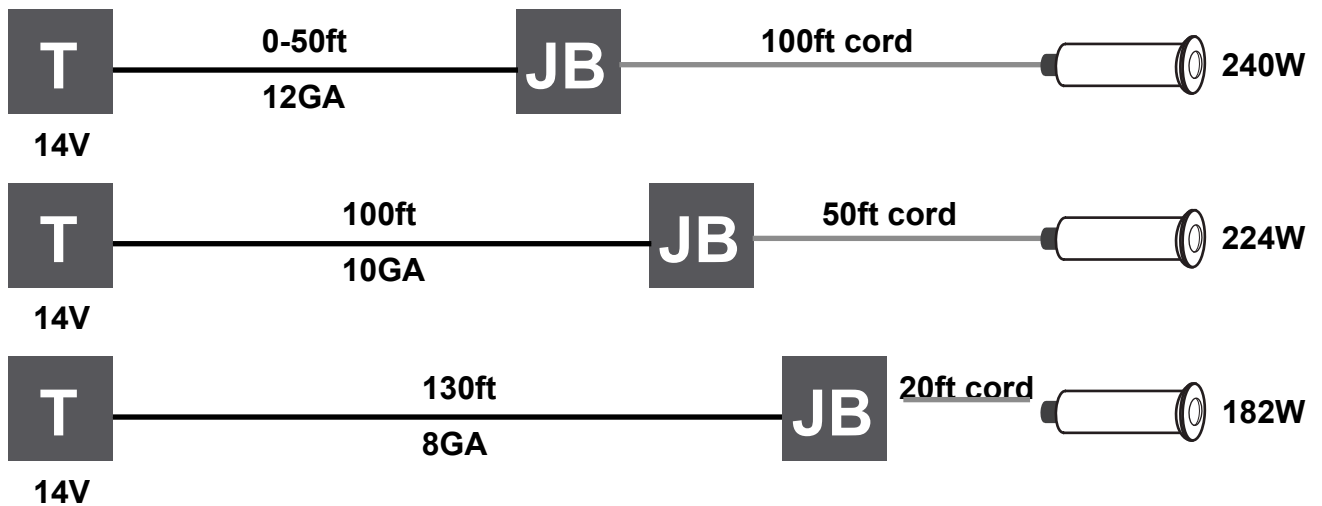
**MAX WATTAGE**



**PX300 ONLY**

**JUNCTION BOX  
BUS BAR**

**MAX WATTAGE**



**NOTE:** Please use appropriate low voltage supply to pool lights, ie. if 12V is appropriate voltage DO NOT use 13V or 14V tap on transformer output (if so equipped),

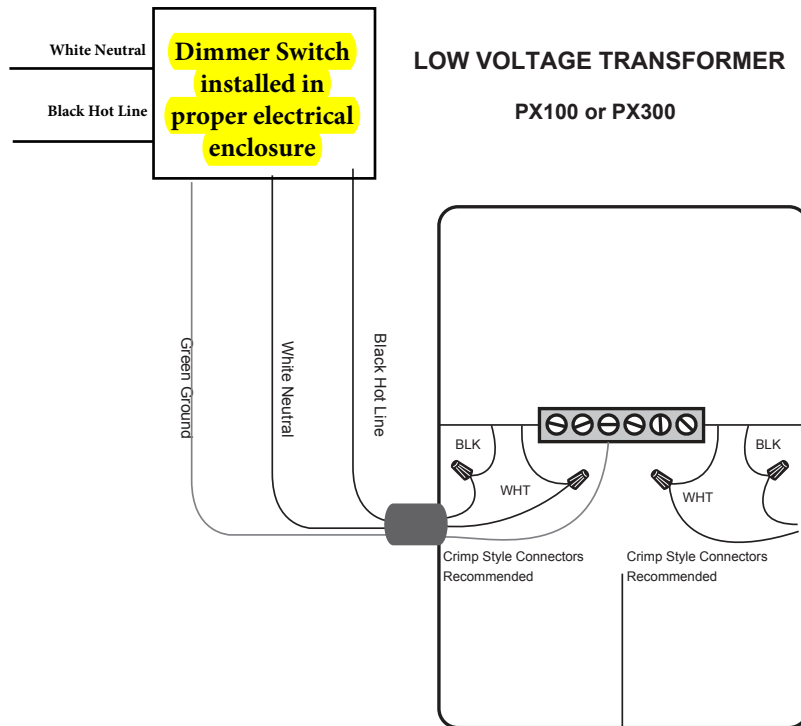
**WARNING** - DO NOT run 120V and Low Voltage wires in the same conduit or enclosures.

ALL Savi LED Colored Lights including Savi Color LED Light Drivers are designed to work or synchronize with each other. Please follow all installations for proper installation and follow Synchronization Instructions for proper operation.

All Savi White LED Lights and White LED Drivers are designed to allow for the option of dimming or light output reduction. See enclosed information regarding general guidelines for dimming of our Savi LED White Lights.

**THE FOLLOWING INFORMATION IS FOR GENERAL INSTALLATION OF DIMMING SWITCHES OR CONTROLS FOR USE WITH SAVI BLANCO, BLANCO PRO WHITE LED LIGHTS. THIS INCLUDES BLANCO PRO WHITE LED LIGHT DRIVERS.**

All WHITE LED Savi Lights can be dimmed by the use of simplistic dimming switches. These directions specify those switches that are for independent or stand a lone use. For achieving dimming by the use of automatic or home based energy control systems please consult those controls systems instructions. **AT NO TIME SHALL ANY SWITCH OR CONTROL BE INSTALLED ON THE 12V SIDE OF THE TRANSFORMER IN AN ATTEMPT TO DIM LIGHTS. DOING SO MAY DAMAGE THE LED LIGHT CARTRIDGE AND VOID WARRANTY.**



## Minimum and Maximum Cord Lengths Per Voltage Input

**Voltages** are determined by the measured Voltage level @ the Bus Bar where the Transformer and Cords are connected while on White

### MELODY & BLANCO MIN/MAX VOLTAGE PER CORD LENGTH

CORD LENGTH	Min. Voltage	Max. Voltage
15 Feet	7.8Vac	12.0Vac
30 Feet	8.6Vac	12.2Vac
50 Feet	9.4Vac	12.4Vac
100 Feet	10.7Vac	13.2Vac
150 Feet	11.82V	13.8Vac

### MEL-SOL & BLANCO PRO MIN/MAX VOLTAGE PER CORD LENGTH

CORD LENGTH	Min. Voltage	Max. Voltage
20 Feet	9.8Vac	12.0Vac
30 Feet	9.92Vac	12.2Vac
50 Feet	10.34Vac	12.56Vac
100 Feet	10.9Vac	13.5Vac
150 Feet	11.43Vac	14.1Vac

Next Step Products provides these guidelines as a reference for proper operation. Failure to adhere specifications could result in improper operation or synchronization of lights.

**ALL VOLTAGE READINGS ARE TAKEN WHILE LIGHTS ARE ALL SET TO WHITE**

As these Charts address the Minimum - please remember that at no time should the MAXIMUM distance with or without J Box extend past 150 ft.



**Read and follow all safety and installation instructions carefully.**  
**Read instruction completely before start of your installation.**

The conduit size required for the cord on either Savi X Stream Light driver should be a minimum of 1" in diameter. The conduit needs to be supplied from the location of either the M4 or the Class 2 or Class 3 12VAC transformer.

All Savi X Stream Light drivers are designed to accept up to 200 strands of fiber. This is the maximum capacity of fiber. Depending upon the Savi X Stream Feature Products being used there could be excess capacity still available in the X Stream Light driver tip. Other individual X Stream Feature products can be added **AS LONG AS THE MAXIMUM COUNT OF 200 STRANDS IS NOT EXCEEDED.**

**ETL Listed for installation outside 5 ft (1.5M) of the outer edge of the pool water**

**NOTE: All Savi X Stream Light Drivers are waterproof and are not required to be installed in a dry environment -see SPECIAL NOTE below**

**SPECIAL NOTE: Though the Savi X Stream Light Drivers are waterproof, it is important to provide MINIMUM DRAINAGE so the fiber bundles being installed do not develop dirt and possibly algae within their strands. Neither one will damage the fiber but could, over time, interfere with the light transmission from the Savi X Stream Light Drivers LED light source.**

**LOCATING THE SAVI X STREAM DRIVERS**

The location of each driver is dependent upon the Savi X Stream Feature product being installed. The X Stream driver needs to be located within the fiber length of the X Stream Feature product being installed. For instance: The Savi X Stream Bubbler come with 40ft of 100 strand fiber, therefore the Savi X Stream Light Driver needs to be with the 40ft radius of the fiber. In other words, not further than 40 ft away from the Savi X Streams Bubblers location.

**BE VERY CAREFUL REGARDING THIS AS FIBER CANNOT BE SPLICED OR ADDED TOO.**

Note: If multiple Savi X Stream Feature products are being installed, the Savi X Stream Driver needs to be located **within the length of all fiber on the products being installed into that driver.** An example would be if 2 Savi X Stream Bubblers are being installed, the Savi X Stream Driver needs to be located in a position so that both lengths of fiber (1 from each bubbler) can be installed into that driver. Each fiber run will require a separate 1" conduit run.

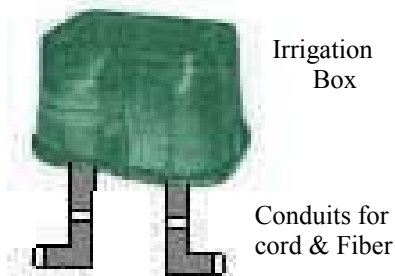


**Physical Install Enclosures**

The Savi X Stream Light drivers, based upon the products being installed into the driver, could end up needing to be physically located in the pool deck area or in near by softscape. Depending upon where these Light Drivers need to be located, Savi Pool & Spa suggest 1 of the following 2 enclosures.

**FOR LANDSCAPE INSTALLATION:**

Savi Pool & Spa recommends the use of a typical Irrigation Box. This box will serve as a junction box in which the fiber optic cables from the Savi X Stream Feature Product, the Savi X Stream Light Driver and the Light drivers cord conduit will all come together.



Savi Pool & Spa recommends when the irrigation box is used in a landscaping environment, that the deck lid be located 2” HIGHER than the grade level.

This will prevent materials from intruding or washing down into the irrigation boxes interior under heavy sprinkler operation or rainfall.

**NOTE:**

**It is important that the irrigation box have proper drainage. Savi Pool & Spa recommends that he irrigation box be installed or placed on at least 12” minimum of gravel or similar drainage material. If located in a heavy water area, we recommend that a drainage pipe be located in the gravel bed and installed in such a manner as to remove as much as possible any water build up. The Savi X Stream Light Drivers are completely waterproof but this drainage is required to prevent dirt and debris building up between the LED light source in the Light Driver and the Fiberoptic bundles be installed in the tip.**

At this time run the fiber optic bundles that are coming from the Savi X Stream Feature Product though their respective 1” conduits and bring them into the irrigation box’s interior. Leave as much extra fiber as possible within the irrigation box as service loop for future use.

Pull the cord from the Savi X Stream Light driver from the irrigation box back to the electrical installation location for the 12 Vac transformer (SOL & BLANCO PRO drivers).

Connect the Fiberoptic bundle(s) to the Savi X Stream Light driver. Position the Light driver and fiber optic bundles in the interior of the irrigation box and secure the top.

Final wiring connections should be done at this time.

If a Savi X Stream Melody Light driver is being installed, connect to the UL Listed Outdoor Rated Class 2 or Class 3 transformer per that manufacturers instructions.

**SAVI POOL & SPA RECOMMENDS THAT ALL ELECTRICAL CONNECTION, REGARDLESS OF VOLTAGE, BE DONE BY A LISCENCED ELECTRICAL CONTRACTOR OR OTHER LIS-CENCED CONTRACTORS CERTIFIED TO SUCH INSTALLATIONS.**

**WE DO NOT RECOMMEND ANY HOMEOWNER TRY AND PERFORM THESE INSTALLATIONS.**

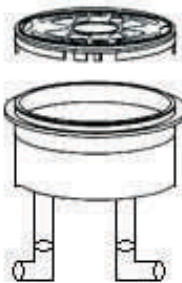
**FOR IN-DECK INSTALLATIONS:**

When the installation requires that the Savi X Stream Light driver be installed within the pool decking area, we have the following 2 suggestions:

1. Use the same irrigation box mentioned above in Landscaping Installations and follow the same installation instructions as previously mentioned.

**OR**

2. Use a skimmer lid and a skimmer extension collar to create an area for the conduits and Light driver to come together. This installation requires all the same steps as required in the Landscape Installation section. This is especially important regarding drainage.



Skimmer Lid

Skimmer Extension Collar

Conduits for Light Driver cords & Fiber optic

Each Savi X Stream Feature product contains specific installation instruction. Follow those directions for proper installation.

For additional information or answers to questions - contact Savi Pool & Spa Technical Department at 407.855.5942

# SAVI LED LIGHTING PRODUCTS

## BASIC TROUBLESHOOTING GUIDE - FOR ADDITIONAL INFORMATION CONTACT TECHNICAL SERVICES AT TELEPHONE NUMBERS LISTED BELOW

**ALL LIGHTS FAIL TO ILLUMINATE** - Check 120V power supply into transformer - Check for 12V output at transformer - check or reset GFCI. Make sure 120 volts has not been used in the installation of these lights - damage is assured and is NON WARRANTY.

**ONE OR MORE LIGHTS DIM** - This is generally caused by a poor connection or improper wire gauge. To determine if light or lights has fault - separate each light from all other lights and independently wire 12V to this light only. Repeat process on each light. If junction box is used - recheck for proper connection of light cord. **AGAIN IF A JUNCTION BOX IS BEING USED - VERIFY THAT THE CORRECT WIRE GAUGE IS BEING USED BETWEEN TRANSFORMER AND JUNCTION BOX. EVEN THOUGH OTHER LIGHTS MIGHT WORK CORRECTLY - IMPROPER WIRE GAUGE SIZE COULD ALLOW 1 OR MORE LIGHTS TO WORK IMPROPERLY.** Measure and verify that proper low voltage is being supplied to lights - see **WIRE GAUGE & WIRE LENGTH GUIDE CHART**.

**BLINKING, FLASHING, NON WORKING LIGHTS** - This is generally caused by a poor connection or improper wire gauge. To determine if light or lights has fault - separate light from all other lights and independently wire 12V to this light only. Repeat process on each light. If junction box is used - recheck for proper connection of light cord. **AGAIN IF A JUNCTION BOX IS BEING USED - VERIFY THAT THE CORRECT WIRE GAUGE IS BEING USED BETWEEN TRANSFORMER AND JUNCTION BOX. EVEN THOUGH OTHER LIGHTS MIGHT WORK CORRECTLY - IMPROPER WIRE GAUGE SIZE COULD ALLOW 1 OR MORE LIGHTS TO WORK IMPROPERLY.** Measure and verify that proper low voltage is being supplied to lights - see **WIRE GAUGE & WIRE LENGTH GUIDE CHART. MOST IMPORTANTLY SEE CHART FOR MIN/MAX VOLTAGE & CORD LENGTH CHART.**

**COLORED LIGHTS OUT OF SYNCH** - Follow Synchronization Instructions in this Guide. Be very patient and read instruction carefully. If lights fail to synchronize - verify that proper wire connections are being achieved for those lights that are out of step with others. Generally a lights failure to sync with the rest is: improper voltage supply or poor connection to light.

**NOTE:** In most situations problems come down to 4 main faults: improper voltage supply, improper wiring gauge, improper/poor wiring connections or the light itself.

**SAVI LED LIGHT DRIVERS ARE FIELD SERVICABLE AND THE CORD AND LIGHT BODY FIXTURE SHOULD NOT BE REMOVED COMPETELY FROM THE CONDUIT.**

**DO NOT PULL LIGHT DRIVER AND CORD ENTIRELY FROM CONDUIT UNLESS INSTRUCTED BY COMPANY. SAVI POOL AND SPA WILL NOT ACCEPT ENTIRE LIGHTS BEING RETURNED FOR SERVICE UNLESS INSTRUCTED BY COMPANIES TECHNICAL SERVICES DEPARTMENT ONLY LED LIGHT CARTRIDGES SHOULD BE REPLACED OR EXCHANGED WITH THE 2013 PRODUCT**

Refer to the Light Cartridge Replacement Instructions included in this Guide for light replacement.

**WARNING:** All servicing of Savi LED Lights should be done by a licensed or certified electrician or a qualified pool professional in accordance with the National Electric Code (NEC) or Canadian Electric Code (CEC)

For additional troubleshooting assistance or installation advice please contact Technical Services at telephone number below.



9400 SOUTHRIDGE PARK COURT, SUITE 200, ORLANDO, FL 32819 USA  
TEL: 407.855.5630 FAX: 407.210.8679 savilight.com

11.2014

# LIGHT CARTRIDGE REPLACEMENT

**SAVI LED LIGHT FIXTURES AND DRIVERS SHOULD NEVER BE ELECTRICALLY CONNECTED TO A POWER SOURCE OTHER THAN AN APPROVED POOL "SAFETY" UL LISTED OUTDOOR RATED CLASS 3, 12VAC TRANS-FORMER. THE SAVI NOTE SHOULD ONLY BE CONNECTED TO THE SAVI M4 CONTROLLER. FAILURE TO COMPLY WILL EITHER DAMAGE OR DESTROY THE LIGHT FIXTURE AND VOID THE WARRANTY.**

**! TURN OFF MAIN POWER TO LIGHT BEFORE INSTALLATION**

## STEP 1

TURN OFF MAIN POWER TO LIGHT BEFORE REPLACING LIGHT CARTRIDGE. Be sure the light fixture is in a dry environment. Remove the (8) eight screws from the lens with the tool provided. Pull the lens from the fixture body. Remove and discard the O-ring between the Lens and Fixture Body.

## STEP 2

Using the tool provided, insert and turn the threaded portion into the extraction hole in the face of the Light Cartridge. Pull the Light Cartridge from the housing body.

## STEP 3

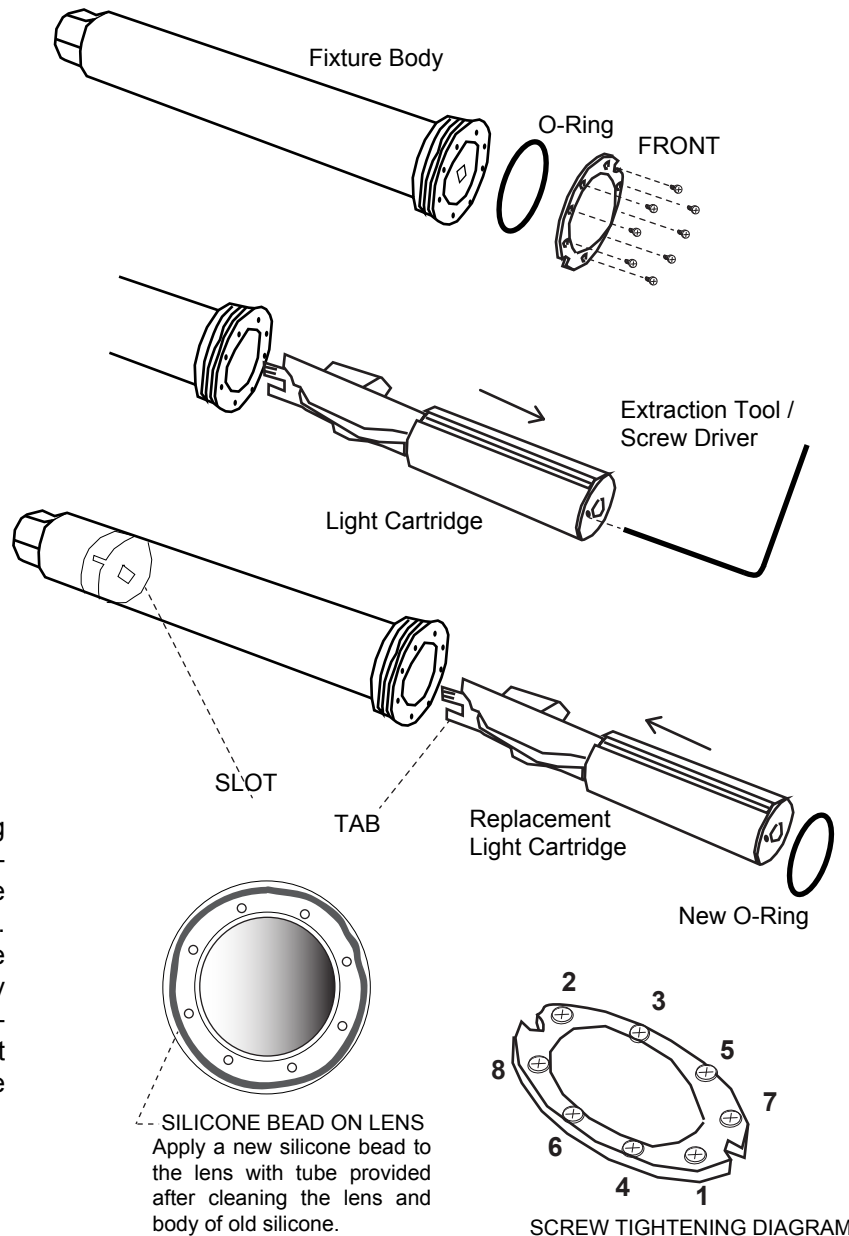
Insert the replacement cartridge into the housing body. Line up the TAB at the end of the circuit board with the receiving slot inside the housing body. It may be necessary to slowly turn the Light Cartridge until the TAB lines up with the SLOT.

## STEP 4

Clean the Lens and the Enclosure of any remaining old Silicone before applying new Silicone and replacing the Lens. Replace the O-ring with the new one provided. Attach the lens onto the fixture body. Tightly secure the eight (8) screws indicated in the diagram to the right. Once all screws are tight, slowly submerge in water, checking for any air bubbles - quickly remove from water bubbles appear as it indicates the seal is not water tight. Retighten the screws and test for bubbles again.

## STEP 5

Reset the fixture and turn the power ON.



REPLACEMENT LIGHT CARTRIDGE KIT PART NUMBERS

**BLANCOPRO-CARTRIDGE-KIT  
SOL-CARTRIDGE-KIT  
NOTE-CARTRIDGE-KIT**

## LIMITED PRORATED WARRANTY

Savi Pool & Spa (herein referred to as "the Company"), warrants its products, excluding lamps, to be free from defects in material and/or workmanship, under normal condition, use and service, for a period of Five (5) years from the original invoice date. During the first two (2) years 100% coverage on all parts, 3rd (3) year all warranty parts will be replaced at 35% of the then current List Price of such part and in years Four & Five (4&5) all warranty parts will be replaced at 50% of the then current List price of such part. This specific warranty is for parts only and specifically excludes all labor charges associated with warranty items.

### TERMS AND CONDITIONS:

This warranty only applies when the Company's products are properly wired and installed together as a system; and operated within the electrical values shown on the Company's specification sheets; used in lighting equipment designed and approved for the application and environmental conditions (temperature, humidity) within the normal specified operating range of the system. This warranty does not apply to any abnormal use in violation of any applicable standard, code or instructions for use in installations including those contained in the latest National Electrical Code (NEC), the Standards for Safety of Underwriters Laboratory, Inc. (UL), Standards for the American National Standards Institute (ANSI), in Canada, the Canadian Standards Association (CSA), Europe (CE), Australia (C-Tick). This warranty will not apply in the event of conditions demonstrating abnormal use or stress, including under/over voltage conditions, excessive switching cycles, excessive operating hours, alterations, accident, theft, misuse, abuse and damaged caused by negligent installation, improper maintenance or where adequate care has not been taken to prevent damage to the lighting system. Replacement of the Company's product components with any other manufacturer will void the entire warranty.

### WARRANTY SERVICE CLAIMS:

The Company must issue a Return Material Authorization (RMA) number for all requests for warranty review. To expedite service, please contact the Company's Customer Representative where you purchased the product. If you are unsure whether a situation exists that is covered by this warranty, please contact the Company's customer service department from the company or division where you purchased the product for assistance. In the event of a defect in material or workmanship during the warranty period, the Company will repair or replace (at its own discretion) its products under the conditions of the warranty.

A complete list of the Company's brands and their warranty service contact information can be found at the end the warranty.

### RETURN OF DEFECTIVE PRODUCT:

After contacting the proper company or division and receiving the RMA#, the purchaser / user shall promptly return the product after receiving instructions regarding if, when and where to ship product. Product must be returned within 30 days of receiving RMA#. Shipping box must be clearly marked with RMA#. Failure to follow this procedure shall void this warranty. The company will cover expenses for material but will not cover shipping costs. Products returned without an RMA# will be refused and returned to sender at the senders expense.

### REPLACEMENT OF PRODUCT, LIMITS OF LIABILITY:

The foregoing shall constitute the exclusive remedy of the purchaser and the sole liability of Savi Pool & Spa regarding its products and component warranty. NO WARRANTY OF MERCHANTABILITY OR FITNESS FOR A PARTICULAR PURPOSE IS MADE OR IS TO BE IMPLIED. In no event shall Savi Pool & Spa be liable for any other costs or damages including labor charges, lost profits or revenues, incidental, special or consequential damages. The Company reserves the right to examine all failed products and components to determine the cause of failure and patterns of usage and reserves the right to be the sole judge as to whether any product or component is defective and covered under this warranty. THIS WARRANTY IS ONLY TO THE ORIGINAL PURCHASER OF PRODUCT AND DOES NOT TRANSFER.



9400 SOUTHRIDGE PARK COURT SUITE 200 ORLANDO, FLORIDA 32819 USA  
Tel: 407.855.5630 Fax: 407.210.8679 savilight.com

11.2014