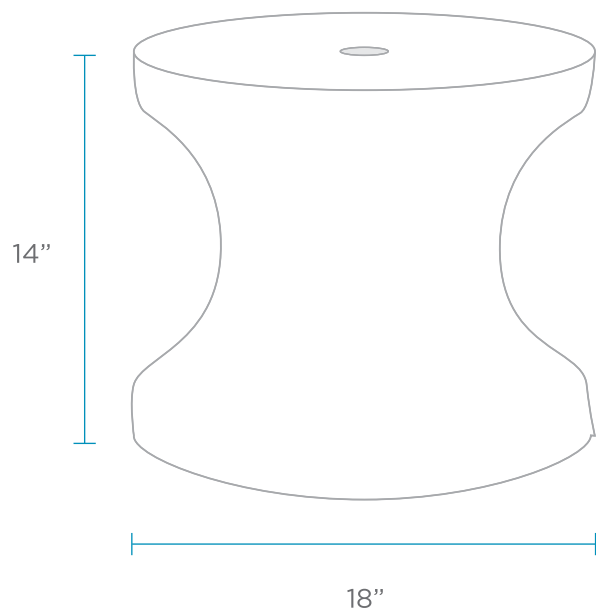


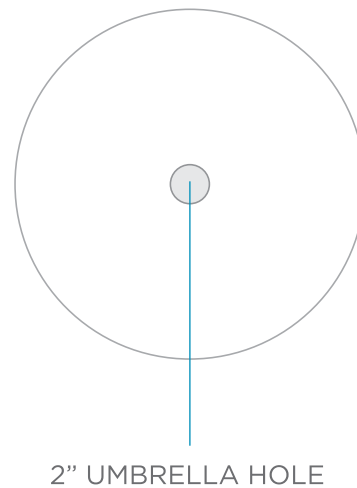
SIDE TABLE SPECIFICATIONS

WEIGHT EMPTY: 12 LBS | WEIGHT FULL: 78 LBS
DESIGNED FOR UP TO 10" OF WATER OR ON DECK

SIDE VIEW



TOP VIEW



FEATURES

- Designed for up to 10" of water or on deck
- Perfect for residential or commercial use
- Built to withstand sun, weather, and chemicals of any aquatic environment
- Compatible with all pool types, including vinyl
- Crafted of an ultra-strong, UV8 rated resin, color stabilized for up to 8000 hours of direct sun
- Easy application via threaded plug system
- Features a minimalist design and a built in 2" umbrella sleeve

AVAILABLE RESIN COLORS



Over 400 fabric options available. See website for details.