

PS3000

Surge Protective Device



Protect it all with the PS3000 Surge Protective Device

Did you know most power surges are caused by the on-and-off cycling of typical home appliances, not by adverse weather conditions? Homeowners rely on surge strips to protect expensive home electronics, such as computers, high definition TV's and surround sound systems, but what about expensive pool equipment? The easy-to-install PS3000 Surge Protective Device is perfect for pool and spa equipment. It is typically installed at the pool electrical panel and uses state-of-the-art TPMOV® surge technology to protect all equipment downstream of the connection point.



APPLICATIONS

All Pool and Spa equipment powered by the electrical pool sub-panel, including:

- Automation systems
- Heaters
- Pumps
- Sanitizers
- Spa Equipment

Pool & Spa Surge Protection

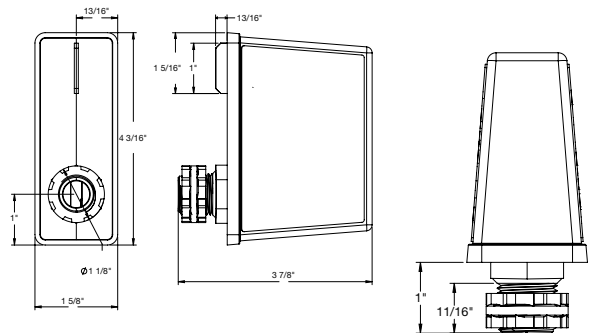
Features

- TPMOV® Surge Protection Technology
- Meets ANSI UL1449 4th Edition Standards
- 120/240 VAC single-phase SPD for use on a variety of pool equipment
- Green LED protection indicator
- Type 4X watertight and UV resistant plastic enclosure
- Three modes of protection
- Includes (3) 18", #10 AWG leads
- 3-year warranty
- \$7,500 connected equipment warranty



Ratings	
Service Voltage	120/240 VAC, 50/60 Hz
SPD Type	1 or 2
Nominal Discharge Current	10 kA
SCCR**	20 kA
Voltage Protection Rating (VPR)	
L-N/G	700
L-L	1200
MCOV*	
L-N	150
L-L	300
Dimensions H x W x D	3 7/8" x 1 5/8" x 4 3/16" (98 mm x 41 mm x 106 mm)
Warranty	3-year

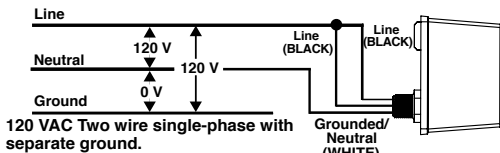
Dimensions



*MCOV Maximum Continuous Operating Voltage

**SCCR Short Circuit Current Rating

Wiring



120 VAC Two wire single-phase with separate ground.
Found at connections for individual pieces of equipment such as motors, cleaner pumps, heaters, lights and spa blowers.
NOTE: Both Black wires connect to Line.

