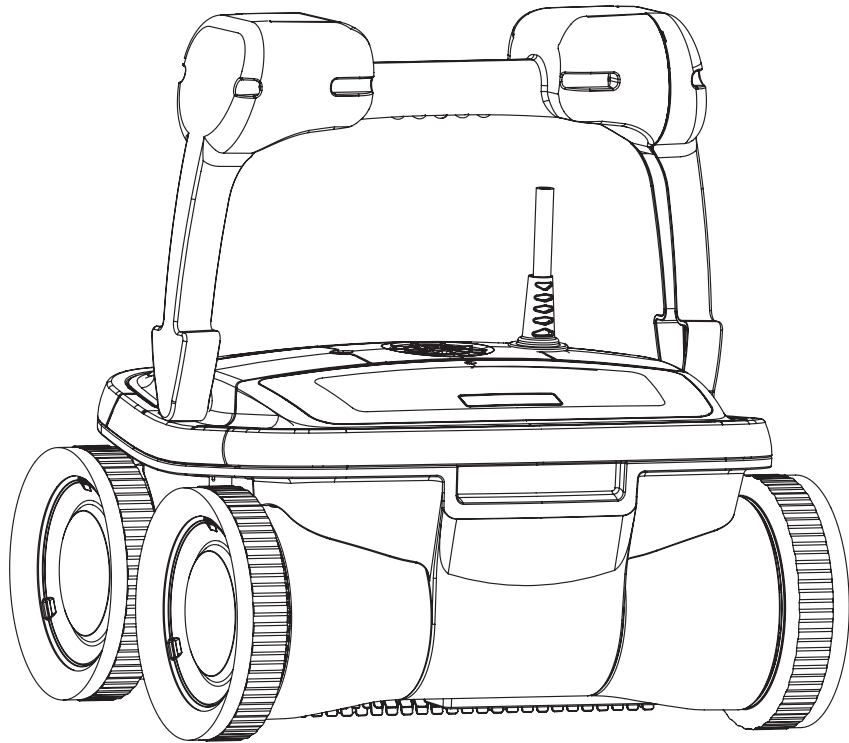


## QUICK START OPERATOR MANUAL FOR THE FOLLOWING CLEANERS



### Thank You


Thank You for entrusting us with keeping your pool clean. We strive to enhance your pool experience by keeping your pool environment healthy for you, your family and your friends. Please read this Quick Start Manual in its entirety to ensure proper operation and care of your cleaner. Please feel free to leave a review online.

FOR YOUR RECORDS, PLEASE KEEP A COPY OF YOUR  
SERIAL NUMBER AND DATE OF PURCHASE HERE

## IMPORTANT: PLEASE READ BEFORE OPERATING CLEANER

- SAFETY INSTRUCTIONS
- WHAT TO EXPECT
- QUICK START
- POWER SUPPLY
- HOW TO GUIDE
- TROUBLESHOOTING

# WARNINGS & SAFETY PROCEDURES

- A Ground Fault Current Interrupter (GFCI) outlet must be installed to protect your electric outlet and prevent any possible electric shock.
  - The connection to the branch circuit should be consistent with local and national wiring electrical codes.
  - To prevent possible electric shock hazard this unit must be connected to an RCD (Residual Current Device) with a related residual operating current not exceeding 30mA.
- Do not turn the Power Supply on, unless the pool cleaner is in the water.
- Operating the cleaner out of water will immediately cause severe damage and will result in loss of warranty.
- The Power Supply must be placed at least 12 feet / 4 meters from the pool's edge at all times! See diagram below.
- The Power Supply should not be subject to standing water, puddles or rain.
- If the cable is damaged, it must be replaced by the manufacturer's authorized service agent or a qualified and trained person in order to avoid hazards.
- **To avoid a possible electrical shock, do not use this product if the floating cable appears to be damaged.**
- Allow the cleaner to remain in the pool for 20 minutes following the end of its cleaning cycle. This will allow the motors to cool adequately. Following this period remove the cleaner from the pool - Do not leave the cleaner in the pool.
- Always remember to turn the power supply "OFF" and unplug it from the power outlet before removing the cleaner from the pool.
- **Do not operate your machine while people swimming in the pool.** 
- For use in residential swimming pools only
- Before performing any troubleshooting maintenance procedures, your Cleaner should be disconnected from the Power Supply (transformer) and the Power Supply should be unplugged from the electrical outlet to prevent the possibility of personal injury or damage to your Cleaner!

## OPERATION AND STORAGE TEMPERATURES:

Please be sure to always keep temperatures in mind when storing or using your pool cleaner:

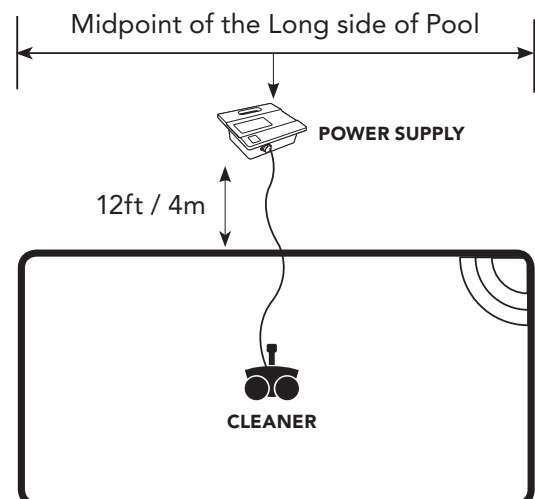
- Proper Storage Temperature Ranges: **10°C – 40°C (50°F – 104°F)**. This will keep the motors, plastics and seals protected.
- Minimum / Maximum Usage Temperature Ranges: **13°C to 35°C (55°F to 95°F)**.
- Optimal Usage Temperature Ranges: **22°C and 32°C (72°F and 90°F)**

## USE OF THE CLEANER IN A VINYL LINER POOL:

Some vinyl liner patterns are specifically susceptible to rapid surface wear and pattern removal caused by objects coming into direct contact with the vinyl surface, including pool brushes, pool toys, floats, fountains, chlorine dispensers, and automatic pool cleaners. Vinyl liner patterns can be seriously scratched or abraded simply by rubbing the surface with a pool brush. Additionally, ink from the pattern can also rub off during the installation process or when it comes into contact with objects in the pool. The manufacturer is not responsible for, and the Limited Warranty does not cover, pattern removal, abrasion, cuts or markings on vinyl liners.



This appliance is not intended for use by persons (including children) with reduced physical, sensory or mental capabilities, or lack of experience and knowledge, unless they have been given supervision or instruction concerning use of the appliance by a person responsible for their safety. Children should be supervised to ensure that they do not play with the appliance.



# WHAT TO EXPECT

## YOUR ROBOT'S TYPICAL CLEANING METHOD

Your robotic pool cleaner is designed to clean the dirt and debris from the pool bottom; and in some pools the cove and lower wall. Below is the typical pattern your cleaner will attempt in your pool. Pool dimensions and cleaning surfaces vary from pool to pool so coverage and cleaning patterns may vary.

This cleaner will move about your pool even in the following pool environments:

- Pools with 90 degree floor-to-wall transitions
- Pools with curved (radius) floor-to-wall transitions
- Pools with cove or dished bottoms



## CLEANER'S MOVEMENT

The robot uses a back/forth motion to clean your pool. Because the axle is able to be positioned on an angle, this helps the cleaner move in a wider / tighter curve on its return path. The illustrations highlight this pattern. The amount of time it takes for the cleaner to make a pass in either direction is set and cannot be overridden. You may, however, adjust the duration of the overall cleaning cycle via the power supply.

## CLEANER'S PERFORMANCE

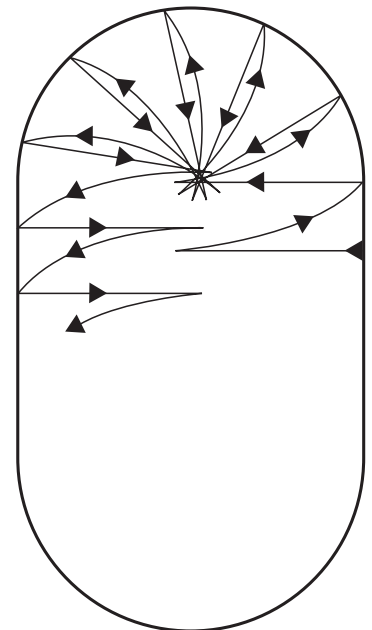
Your cleaner is vacuuming at a rate that is over 75 gallons per minute. This means that it's picking up a lot of debris and it is recommended to keep the filter baskets clean at all times. For optimal performance the filter baskets should be cleaned after each cleaning cycle.

## IMPORTANT: OPENING YOUR POOL

If you're opening your pool for the first time this season, we recommend that you clean your pool manually to rid the pool of the heavy debris first and then use the robotic pool cleaner to maintain your clean pool.

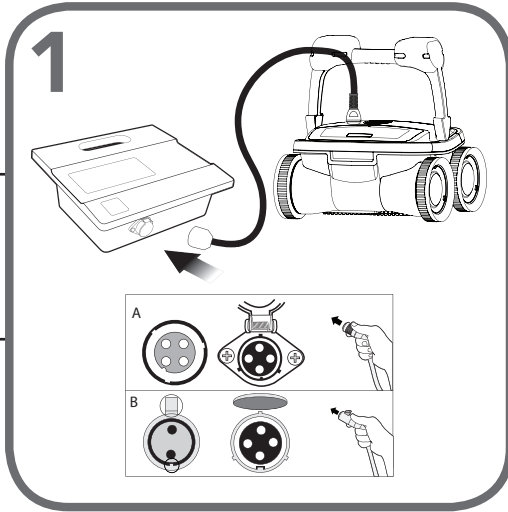
The reason: If your pool collects a massive amount of debris during the off-season, putting the robot in first will cause the filter baskets to fill much faster which means they will need to be cleaned more often.

Sometimes when using the cleaner to vacuum an area that has heavy debris, it is normal to see a small portion of the debris leave the exit valve and go back into the pool or get pushed aside due to the small wave of water caused by the cleaner's movement. After the cleaner's cycle is complete, it is suggested to wait a few hours for the remaining debris in your pool to settle to the bottom and run the cleaner again to vacuum it up completely.

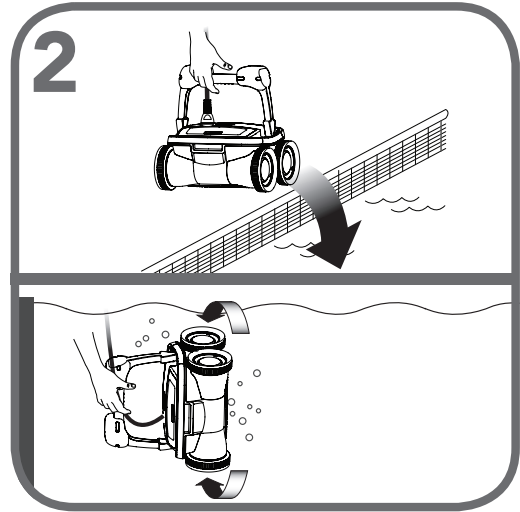


# QUICK START

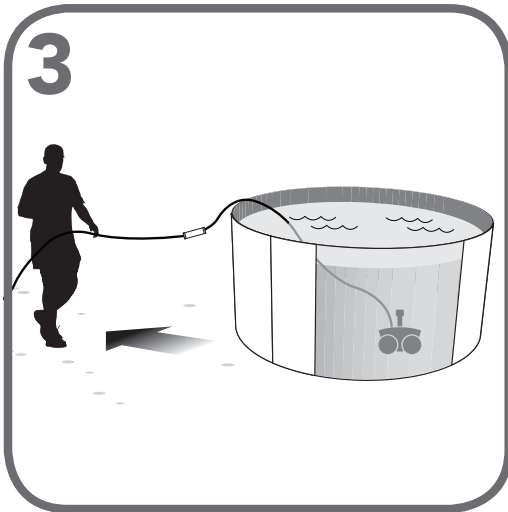
\*Please see Page 5 for power supply variations.



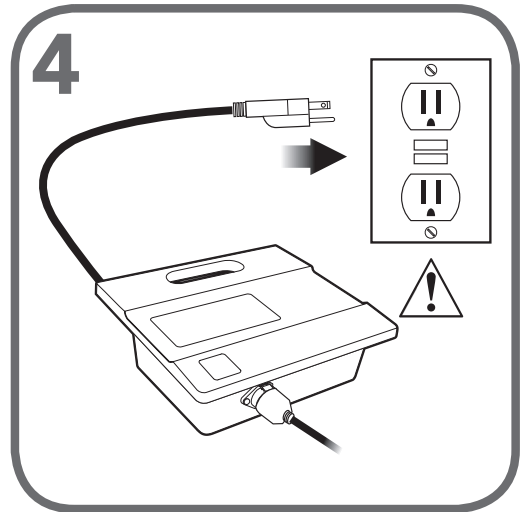
Straighten out the floating cable and plug the cleaner into the power supply. DO NOT plug the power supply's power cord into the wall outlet at this point.



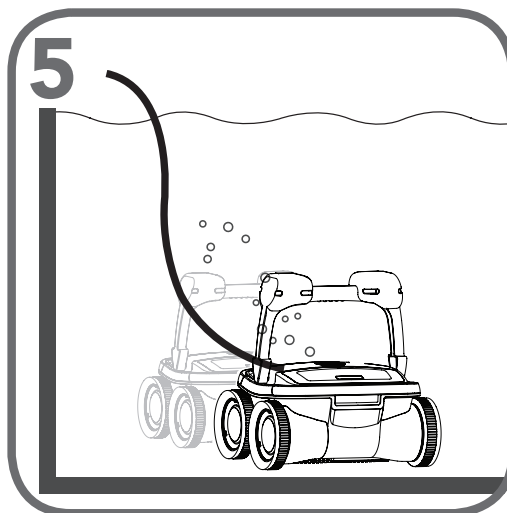
Place the cleaner in your pool in the shallow end and turn upside down to remove any air bubbles. Let the cleaner fall to the bottom of the pool right side up.



Use only as much cable as you need. Limit the amount of cable to reach the furthest wall. This will help prevent cable tangling.



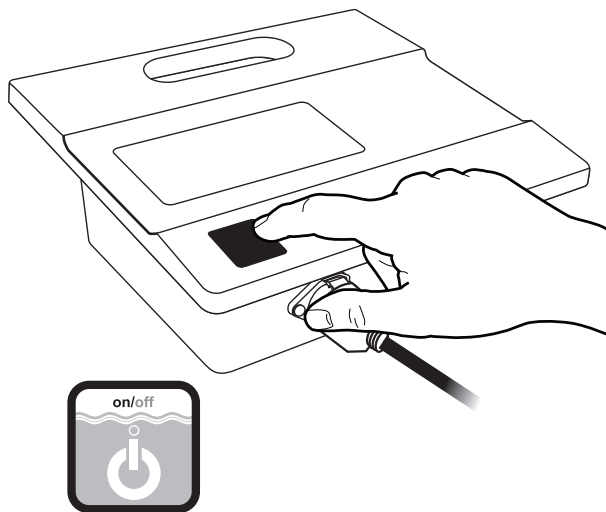
Plug power supply into a GFCI outlet (Ground Fault Circuit Interrupter) (Power Supply must be 12 ft. from the pool's edge)



Your cleaning should now be moving along the bottom of the pool!

# POWER SUPPLY OPERATION

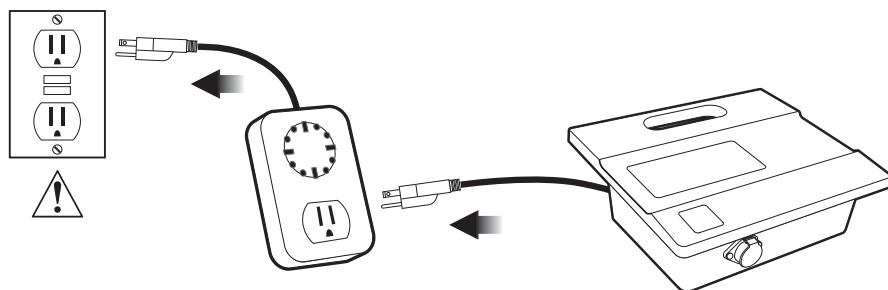
## STANDARD POWER SUPPLIES



The pool cleaner will start working as soon as the power supply is plugged into the wall outlet and the floating cable is plugged into the power supply socket. The indicator light on the power supply lights up to confirm that the cleaner is working.

- To turn the power supply OFF while the cleaner is running its cycle, press and release the power ON/OFF button. The indicator light will turn off.
- Once the cleaner has finished its cleaning cycle, it will enter a "stand-by" mode where the indicator light will start blinking. To restart the cleaning cycle press and release the ON/OFF button. Should you wish to completely turn the power supply off, unplug the power cord from the wall outlet, then unplug the floating cable from the power supply.

## USING AN EXTERNAL TIMER WITH THE POWER SUPPLY



There are situations where you might want to override the power supply's run time. Perhaps you'd like your cleaner to run while you're on vacation, or early in the morning or late in the evening. In any case, this cleaner's power supply is capable of connecting to any \*external timer. It is recommended to do the following (in order) to run this feature:

1. Connect the external timer to your GFCI outlet,
2. Connect the power supply to the external timer.
3. Power Supply should automatically turn **ON**
4. After the cleaner starts, configure the timer as needed.

To exit this mode:

1. Press the ON / OFF button to turn **OFF** the cleaner.
2. Disconnect the Power Supply from the external timer.
3. Disconnect the external timer from the GFCI outlet.
4. Plug the power supply back into your GFCI outlet.

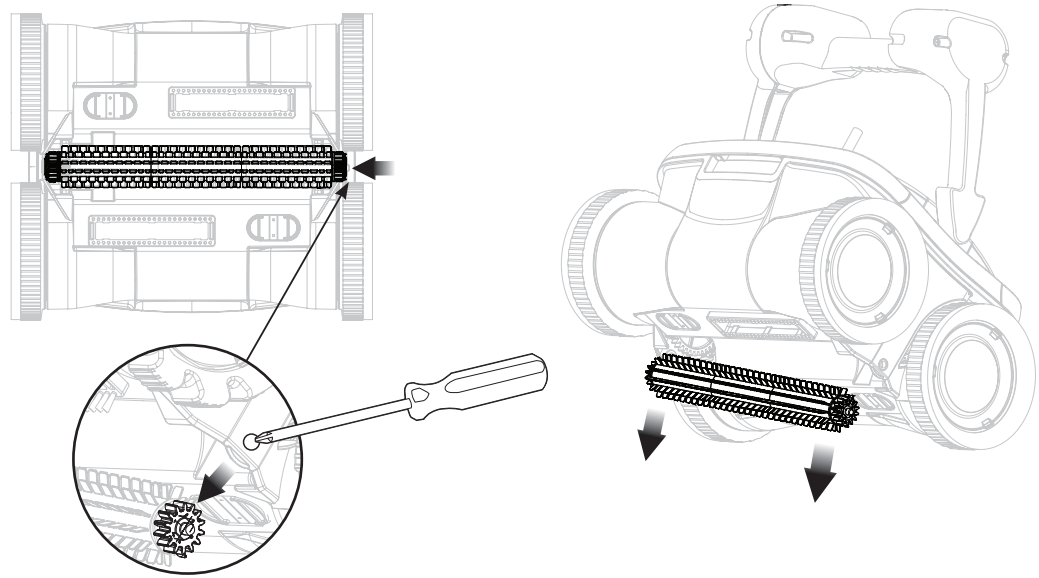
\*Please note that the external timer is not included with the cleaner and must be purchased separately.

# HOW TO...

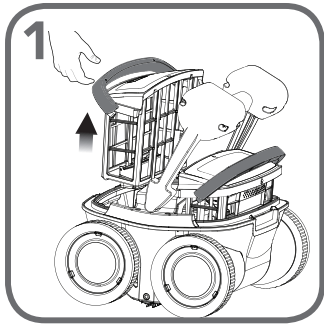
## REMOVE THE ROTATING SCRUBBING BRUSH

This model comes complete with a rotating scrubbing brush located underneath the cleaner. This brush is a moving part and is powered by your cleaner. It is meant to pass over surfaces and scrub as an additional complimentary cleaning method.

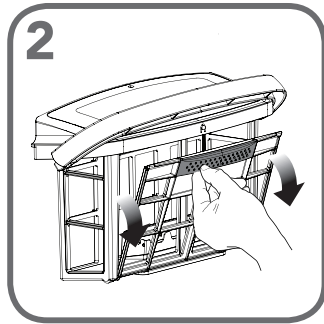
This brush may be removed for easy maintenance. This section shows you the location and how to remove the brush.



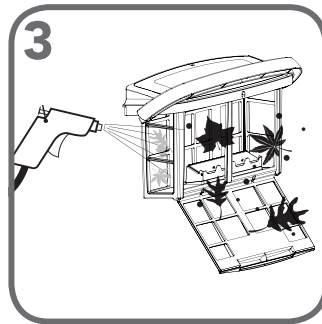
## CLEAN THE FILTERS



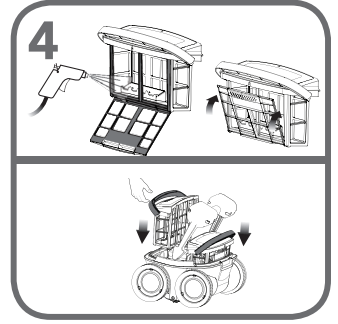
Grab the handle on the filter basket and gently pull upward to remove the baskets on each side.



Open the basket by using the tab on the basket door.



Use a hose to clean out the debris from the basket. Spray into the basket from the outside.

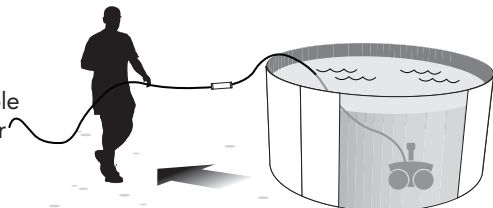


Make sure to clean the inside areas of the basket door.

## RETRIEVE CLEANER FROM POOL

1

**GENTLY** pull the cable and bring the cleaner toward you.



2

Should your cleaner have a Swivel: Grab cable between the cleaner and swivel. **DO NOT** grab swivel



3

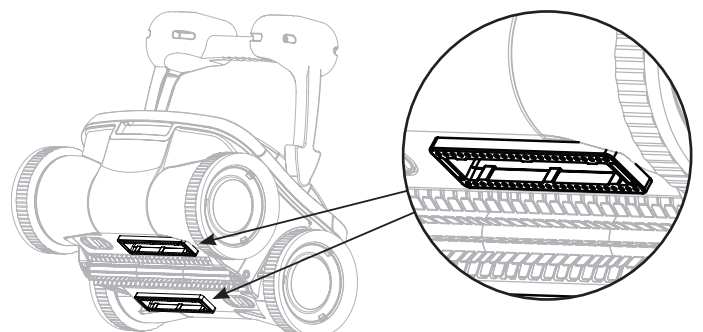
Lift cleaner by using the handle attached to the cleaner. **DO NOT** lift cleaner by the cable.



## ADJUSTING PORT EXTENSIONS

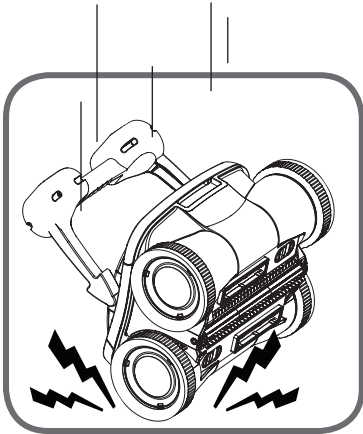
Your cleaner is equipped with two adjustable suction ports on the underside of the unit. Both can be lowered to maximize the suction strength for picking up smaller debris. The suction ports are set to the lowest position by default.

To adjust the ports, use your hand to pull or push the extensions into place. When you hear a click sound, this means the extension is locked into position and ready. To change again, repeat the same action.



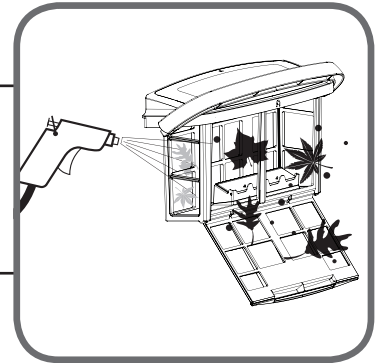
# EXTEND THE LIFE OF YOUR CLEANER

Your pool cleaner does a lot of work behind the scenes during the season. To help you get the most out of your product, we've listed some important tips on how to extend the life of your pool cleaning investment. Take care of your robot and it'll take care of you.



## TIP #1: DO NOT DROP THE UNIT OR POWER SUPPLY!

Dropping your cleaner or power supply will cause damage and your robot will not work properly.



\*Cleaning the filter baskets is best done when the filter baskets are still wet.

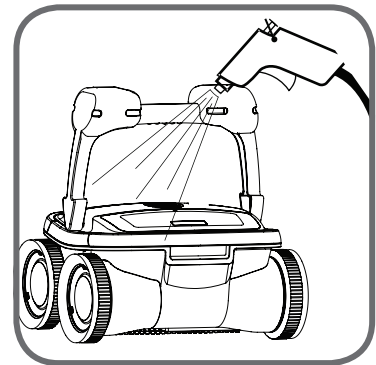
## TIP #2: CLEAN THE FILTER BASKETS!

Make sure to clean your robot's filter bags/baskets! Cleaning these keeps your robot running smoothly, quickly, prevents clogging, and keeps re-circulated water crystal clear! "My robot isn't picking up debris..." - Clean. The. Filter.



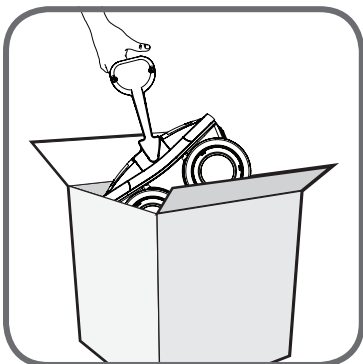
## TIP #3: PREVENT CABLE TANGLING

Use only as much cable as you need. Limit the amount of cable to reach the furthest wall. This will help prevent cable tangling.



## TIP #4: GIVE IT A RINSE

After use, remove your Aquabot from the pool and rinse the outside AND inside thoroughly. Doing so will help prolong the life of the product by rinsing off any pool water that probably contains chlorine. Rinse off its internal components as well. *Note: It is recommended to leave the cleaner in the pool for 20 minutes after each cycle to let the motor cool down properly.*



## TIP #5: STORAGE WHEN NOT IN USE

DO NOT leave your cleaner in the pool when not in use! Store it and the power supply in a dry / shaded area. Coiling the floating cable underneath the cleaner helps keep the integrity of the cable. A shaded area prevents any prolonged exposure to the hot summer heat. Removing the cleaner from the water prevents any over-exposure to pool water during the swimming season. Even whales come up for air once in a while, so should your pool cleaner. If storing your cleaner in a box, make sure cleaner is dry.

During the winter months it is important to make sure your cleaner is completely dry and kept at proper storage temperatures ranging from 10°C – 40°C (50°F – 104°F). This will keep the motors, plastics and seals protected.

# TROUBLESHOOTING

## **MOVES SLOWLY OR DOESN'T SEEM TO BE VACUUMING**

- The solution is to make sure that the filter basket is clean.
- Check to see that the suction ports are not clogged or blocked.

## **ALL LED LIGHTS ARE BLINKING ON THE POWER SUPPLY**

- Check to see if the unit is out of water.
- Check to see if the propeller is stuck.
- To restart, press the power button once. Cleaning program will resume from where it left off.

## **THE FLOATING CABLE IS COILED UP**

- Change the axle set-up using the slider. Unit is most likely turning too sharply or in the same direction for too many cycles.
- Let the tangled cable lay flat in the sun; this will make it more pliable and easier to straighten.
- Never place more cable in the pool than it takes to get to the other side. (TIP: Mark the cable with black electric tape at correct length)

## **UNIT IS NOT SUCKING UP DEBRIS**

- Check to see that you've properly set-up the unit and the power supply is ON.
- Check to see if the propeller is stuck.
- Adjust the suction ports on the bottom of the unit.
- Make sure the filter basket is clean.

## **UNIT IS STUCK IN THE MIDDLE OF THE POOL BUT THE UNIT STILL PUMPS OUT WATER**

- Check to see that there is nothing obstructing the cleaner or that the cleaner is not stuck on any loose objects in the pool.

## **UNIT LOOKS LIKE IT IS MOVING IN THE SAME AREA OF THE POOL AND DOES NOT CLEAN OTHER AREAS**

- Change the axle set up by adjusting the slider position. This will help move the cleaner in a different direction to clean.
- Always start your cleaner in the shallow end of your pool.
- Select the appropriate power supply setting be it Large or Small pool (certain models).

## **UNIT DOES NOT COVER THE ENTIRE POOL**

- Check to see that the filter basket is thoroughly clean.
- Adjust the timing cycle on the power supply (certain models).
- Check to see that the axle and slider area is not blocked.
- Check and change your slider configuration.

For any additional questions  
or concerns please call  
**1-800-221-1750**



280 Grove Avenue  
Cedar Grove, NJ 07009  
1-800-221-1750  
[www.aquaproducts.com](http://www.aquaproducts.com)