



INSTALLATION AND OPERATION MANUAL

ENGLISH | FRANÇAIS | ESPAÑOL



Jandy Pro Series TruClear™ Chlorine Generating System

⚠ WARNING

FOR YOUR SAFETY - This product must be installed and serviced by a contractor who is licensed and qualified in pool equipment by the jurisdiction in which the product will be installed where such state or local requirements exist. The maintainer must be a professional with sufficient experience in pool equipment installation and maintenance so that all of the instructions in this manual can be followed exactly. Before installing this product, read and follow all warning notices and instructions that accompany this product. Failure to follow warning notices and instructions may result in property damage, personal injury, or death. Improper installation and/or operation will void the warranty.



Improper installation and/or operation can create unwanted electrical hazard which can cause serious injury, property damage, or death.

ATTENTION INSTALLER - This manual contains important information about the installation, operation and safe use of this product. This information should be given to the owner/operator of this equipment.

Table of Contents

Section 1. Important Safety Instructions.....	3	Section 5. Operating Instructions	18
Section 2. General Description	6	5.1 Control Panel.....	18
2.1 Product Specifications.....	6	5.2 Turning Power Pack On/Off (Manually).....	18
2.2 Product Contents.....	7	5.3 Turning Power Pack On/Off (Using the Pump's External Timer).....	18
Section 3. Installation Instructions	8	5.4 Setting the Chlorine Output Level	18
3.1 Materials and Tools.....	8	5.5 Polarity Reversal	19
3.2 Installation Requirements.....	8	5.6 Backup Battery	19
3.3 Installing the Power Pack	9	Section 6. Maintenance Instructions	19
3.4 Installing the Cell	10	6.1 Weekly.....	19
3.5 Wiring the Power Pack to Power Source	11	6.2 Monthly.....	19
3.6 Bonding	12	6.3 Cleaning the Cell	20
3.7 Bypass Plumbing Instructions: If Flow Rate Exceeds 348 LPM (92 GPM)	13	6.4 Winterizing.....	21
3.8 Split Return Plumbing Instructions: For Infloor Cleaning Systems	13	Section 7. Troubleshooting	21
Section 4. Pool Water Preparation	13	7.1 Problems and Corrective Action	21
4.1 Determining Pool Size (Litres of Water in Your Pool).....	13	Section 8. Display Readings.....	25
4.2 Determining Pool Size (Gallons of Water in Your Pool)	13	8.1 Display Readings and Descriptions.....	25
4.3 Chemistry You Need to Know.....	13		
4.4 Optimum Pool Water Conditions	15		
4.5 Collecting a Water Sample	15		
4.6 Salt (NaCl Sodium Chloride)	15		
When to Add Salt	15		
What Type of Salt to Use	15		
How Much Salt to Use	15		
How to Add Salt to the Pool	16		

Section 1. Important Safety Instructions

READ AND FOLLOW ALL INSTRUCTIONS

1.1 Safety Instructions

All electrical work must be performed by a licensed electrician and conform to all national, state, and local codes. When installing and using this electrical equipment, basic safety precautions should always be followed, including the following:

WARNING

EQUIPMENT UNDER PRESSURE: Always turn pump off prior to installing or servicing the power pack or cell. Your pump/filter system is operated under pressure and the pressure must be released before you begin work. Please see your pump/filter owner's manual for further instructions.

WARNING

To reduce the risk of electric shock, fire or injury, service should only be attempted by a qualified pool service professional.

WARNING

Jandy Pro Series chlorine generating devices are designed for domestic (residential) swimming pool use only. Contrary use could affect performance, void warranty, and may result in property damage, serious injury, or death.

- Operating a chlorine generator without water flowing through the cell may cause a build up of flammable gases, resulting in fire or explosion.
- Keep equipment out of reach of children.
- A damaged supply cord should only be replaced by the manufacturer, service agent or electrician.
- When installing and using this electrical equipment, always follow basic safety precautions.
- Before performing installation, disconnect all power.
- Connect to a circuit that is protected by a ground fault circuit interrupter (GFCI).
- Do not install within an outer enclosure or beneath the skirt of a hot tub or spa.

WARNING

Installation must be done in accordance with the National Electrical Code® (“NEC®” or NFPA-70®) in the US, the Canadian Electrical Code (“CEC” or C22.1) in Canada, and/or any other local and national installation codes.

RISK OF ELECTRIC SHOCK, FIRE, PERSONAL INJURY, OR DEATH. Connect only to a branch circuit that is protected by a ground-fault circuit-interrupter (GFCI). Contact a qualified electrician if you cannot verify that the circuit is protected by a GFCI. Make sure such a GFCI should be provided by the installer and should be tested on a routine basis. To test the GFCI, push the test button. The GFCI should interrupt power. Push the reset button. Power should be restored. If the GFCI fails to operate in this manner, the GFCI is defective. If the GFCI interrupts power to the pump without the test button being pushed, a ground current is flowing, indicating the possibility of electrical shock. Do not use the device. Disconnect the device and have the problem corrected by a qualified service representative before using.

A green/yellow grounding wire is provided inside the power pack. To reduce risk of electric shock, connect the ground wire to the grounding wire that is supplying power to the unit.

WARNING

The power pack must be interlocked/interconnected with the pool pump motor power source to ensure that the chlorinator only operates when the pool pump is operating. The flow sensor feature of the Jandy TruClear is intended to be used as a backup only and should not be used as the sole source of flow detection.

⚠ WARNING

- The power pack must be installed at least 1.5 m (5 ft.) vertically off the ground.
- In the US, the power pack must be installed at least 1.5 m (5 ft.) from the inside wall of your swimming pool or spa; in Canada, the power pack must be installed at least 3 m (10 ft.) from the inside wall of your swimming pool or spa.

⚠ WARNING

This appliance is not intended for use by persons (including children) with reduced physical, sensory or mental capabilities, or lack of experience and knowledge, unless they have been given supervision or instruction concerning use of the appliance by a person responsible for their safety.

⚠ WARNING

To reduce the risk of injury, do not remove the suction fittings of your spa or hot tub. Never operate a spa or hot tub if the suction fittings are broken or missing. Never replace a suction fitting with one rated less than the flow rate marked on the equipment assembly.

⚠ WARNING

PREVENT CHILD DROWNING: Do not let anyone, especially small children, sit, step, lean or climb on any equipment installed as part of your pool's operational system. Locate the components of your operational system at least 1 m (3 ft.) from the pool so children cannot use the equipment to access the pool and be injured or drown.

⚠ WARNING

Prolonged immersion in hot water may induce hyperthermia. Hyperthermia occurs when the internal temperature of the body reaches a level several degrees above the normal body temperature of 37 °C (98.6 °F). The symptoms of hyperthermia include dizziness, fainting, drowsiness, lethargy, and an increase in the internal temperature of the body. The effects of hyperthermia include:

- Unawareness of impending danger
- Failure to perceive heat
- Failure to recognize the need to exit spa
- Physical inability to exit spa
- Fetal damage in pregnant women
- Unconsciousness resulting in a danger of drowning

⚠ WARNING**To Reduce the Risk of Injury -**

- The water in a spa should never exceed 40°C (104°F). Water temperatures between 38°C (100°F) and 40°C (104°F) are considered safe for a healthy adult. Lower water temperatures are recommended for young children and when spa use exceeds 10 minutes.
- Since excessive water temperatures have a high potential for causing fetal damage during the early months of pregnancy, pregnant or possibly pregnant women should limit spa water temperatures to 38°C (100°F).
- Before entering a spa or hot tub, the user should measure the water temperature with an accurate thermometer since the tolerance of water temperature-regulating devices varies.
- The use of alcohol, drugs, or medication before or during spa or hot tub use may lead to unconsciousness with the possibility of drowning.
- Obese persons and persons with a history of heart disease, low or high blood pressure, circulatory system problems, or diabetes should consult a physician before using a spa.
- Persons using medication should consult a physician before using a spa or hot tub since some medication may induce drowsiness while other medication may affect heart rate, blood pressure, and circulation.

⚠ WARNING

- People with infectious diseases should not use a spa or hot tub.
- To avoid injury, exercise care when entering or exiting the spa or hot tub.
- Do not use drugs or alcohol before or during the use of a spa or hot tub to avoid unconsciousness and possible drowning.
- Pregnant or possibly pregnant women should consult a physician before using a spa or hot tub.
- Water temperature in excess of 38°C (100°F) may be injurious to your health.
- Before entering a spa or hot tub measure the water temperature with an accurate thermometer.
- Do not use a spa or hot tub immediately following strenuous exercise.
- Prolonged immersion in a spa or hot tub may be injurious to your health.
- Do not permit any electric appliance (such as a light, telephone, radio, or television) within 1.5 m (5 ft.) of a spa or hot tub.
- The use of alcohol, drugs or medication can greatly increase the risk of fatal hyperthermia in hot tubs and spas.

⚠ CAUTION

This device is intended for use with permanent swimming pools and may also be used with hot tubs and spas if so marked. Do not use with storable pools. A permanently-installed pool is constructed in or on the ground or in a building such that it cannot be readily disassembled for storage. A storable pool is constructed so that it is capable of being readily disassembled for storage and reassembled to its original integrity.

⚠ CAUTION

It is important to note that certain materials used in and around swimming pools and spas may not be compatible with chemicals commonly used to purify pool and spa water (e.g. acids, chlorine, salt, stabilizers, etc.).

Zodiac Pool Systems, Inc. does not warrant or guarantee that the chlorinated water generated by the Jandy Pro Series chlorine generating device will not damage or destroy certain types of plants, decking, coping and other materials in and around your pool and/or spa. Before selecting materials to be used in and around your pool and/or spa, please discuss all options with your contractor to assess the compatibility of such materials and chemicals.

When mixing acid or other chemicals with water, **ALWAYS ADD THE ACID OR CHEMICALS TO WATER. NEVER ADD WATER TO THE ACID OR CHEMICALS.**

Some helpful considerations may include:

- Choosing plants that can withstand splash out of pool water containing chlorine and/or salt and other water purification chemicals.
- All metal components used in and around a pool should be of a high grade, quality stainless steel.
- Careful selection of masonry products. The porosity and hardness of natural stones varies greatly. Therefore we recommend you consult with your builder or stone contractor on the best choice for stone materials around your pool or spa.
- Sealing all masonry products. Professionals in the stone industry specify that even natural stone, especially when used outdoors, be sealed to prevent weathering, staining, and premature degradation. Consult with your stone or deck contractor for the proper sealer for the masonry products you have selected to use around your pool or spa.
- For the optimal results, sealers should be reapplied on a regular basis. Reapply the protective sealer on a schedule per the manufacturer's instructions.
- Use of chemicals other than those recommended may be hazardous. Follow the chemical manufacturers instructions.

SAVE THESE INSTRUCTIONS

Section 2. General Description

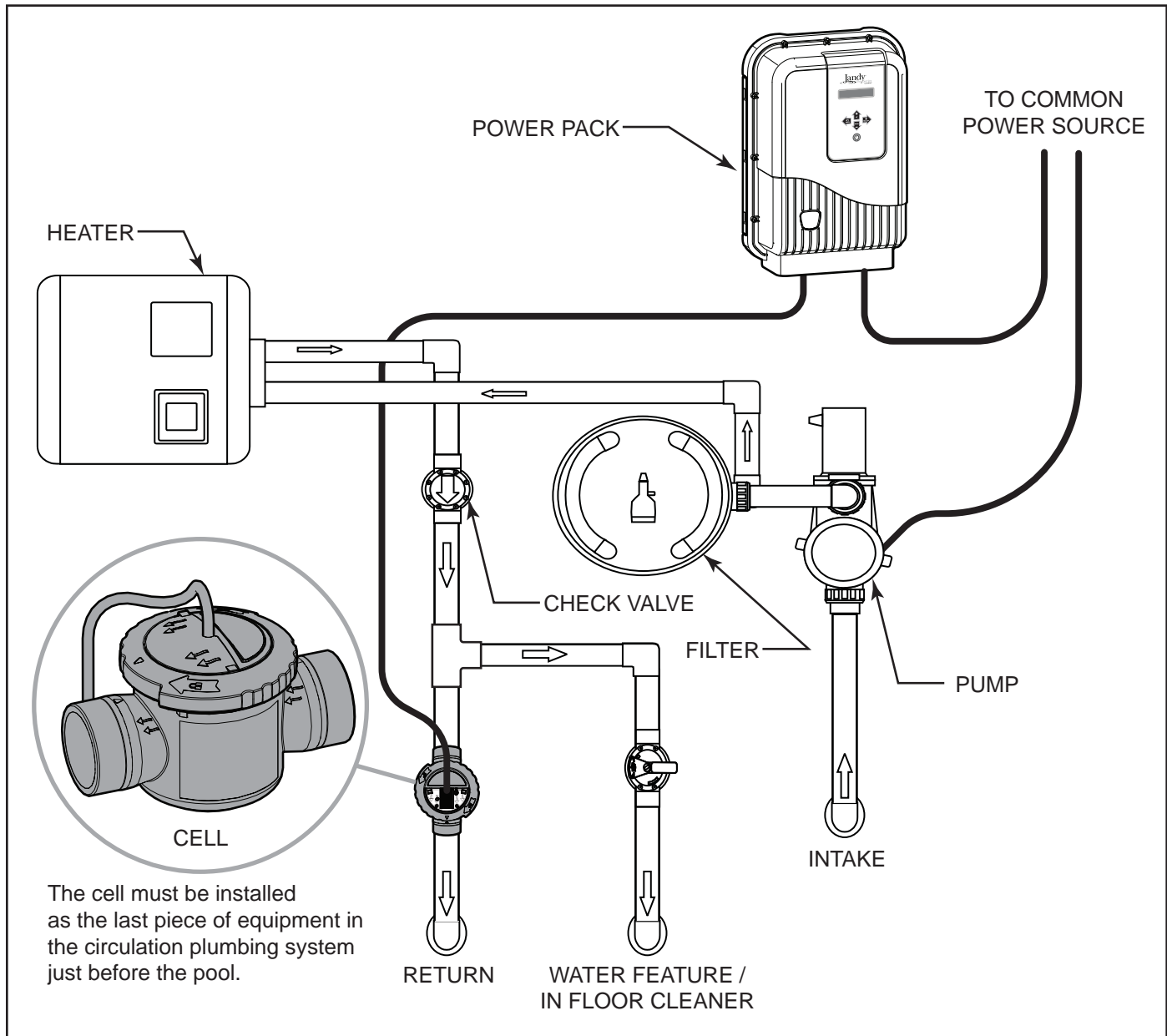


Figure 1. Example of Installation

2.1 Product Specifications

Maximum Operating Pressure: 50 psi	Input Freq: 60 Hz
Minimum Flow Rate: 76 lpm (20 gpm)	Output Voltage: 25V DC (max)
Required Salt Level: 3.0 gpl (3,000 ppm)	Dimensions: Power Pack (L x W x H): 25.4 cm x 11.4 cm x 33 cm (10 in. x 4.5 in. x 13 in.) Electrolytic Cell (L x W x H): 16.5 cm x 14 cm x 30.5 cm (6.5 in. x 5.5 in. x 12 in.)
Maximum water volume treated: 132,000 L (35,000 gal.)	
Chlorine Output: 0.42 kg (0.93 lbs.) per day	
Input Voltages: 240 VAC	Weight: Power Pack: 3.2 kg. (7 lbs) Electrolytic Cell: 0.9 kg (2 lbs.)
Input Current @ 240 VAC: ~1 A	

2.2 Product Contents

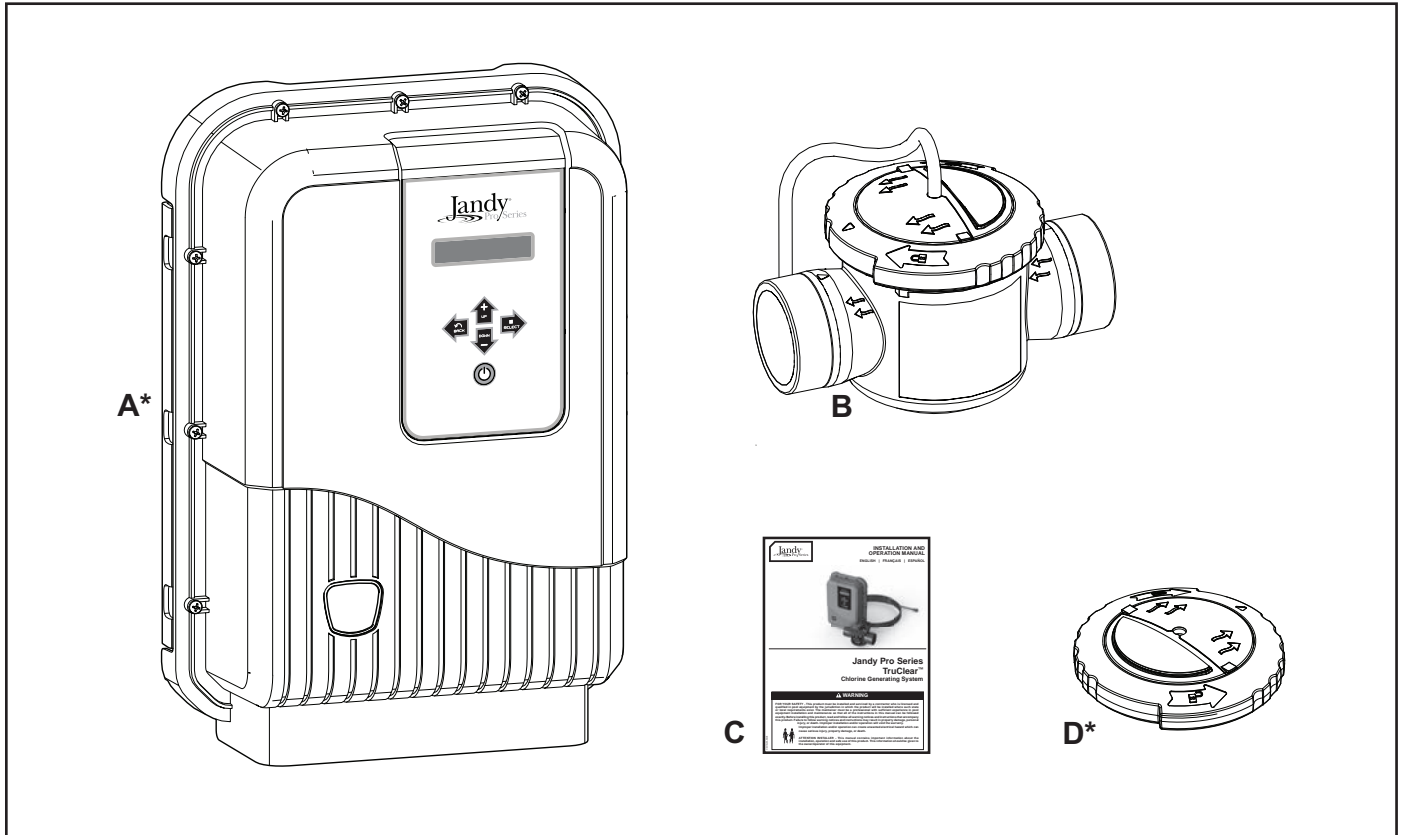


Figure 2. Carton Contents

Items Included

ITEM	DESCRIPTION	QTY
A	Power Pack	1
B	Cell (Item shown is the standard cell. A version with unions is an available option)	1
C	Installation and Operation Manual	1

* Items Sold Separately as Replacement Parts

ITEM	DESCRIPTION	Part #	
D	Winterizing Cap	R0621900	TRUCLEAR CELL
not shown	Cell Assembly Only (no Housing)	R0693900	
not shown	Housing Only with Unions (no Cell)	R0694000	
not shown	O-Ring	R0694100	
A	Power Pack	R0663700	POWER PACK
not shown	Cover Assembly with User Interface	R0663800	
not shown	PCB Assembly	R0663900	

Section 3. Installation Instructions

⚠ WARNING

FOR YOUR SAFETY: This product must be installed and serviced by a professional pool/spa service technician as described on the front cover of this manual. The procedures in this manual must be followed exactly. Failure to follow warning notices and instructions may result in property damage, serious injury, or death. Improper installation and/or operation will void the warranty.

⚠ WARNING

EQUIPMENT UNDER PRESSURE: Always turn pump off prior to installing or servicing the Jandy Pro Series chlorine generating device. Your pump/filter system is operated under pressure and the pressure must be released before you begin work. Please see your pump/filter owner's manual for further instructions.

Disconnect power to the system at the main circuit breaker before performing this procedure to avoid risk of electric shock which can result in property damage, severe injury or death.

Before you begin your installation, please check that you have the right tools and a suitable location to install the power pack and cell. Please ensure that you have read and understood the Important Safety Instructions section.

3.1 Materials and Tools

Tools and Materials Needed for Installation

- Screw Set (Plastic Anchors)
- Cordless Drill (or Power Drill)
- 6 mm (15/64 in.) Masonry Bit or Hammer Drill Bit (only necessary to drill into brick or concrete)
- Pencil or Marking Pen
- Phillips Head Screwdriver or Phillips Head Drill Bit
- WELD-ON® 724™ CPVC Gray Cement is recommended

3.2 Installation Requirements

⚠ WARNING

The Jandy Pro Series chlorine generating device must be installed horizontally with the cord facing upwards to avoid buildup of flammable gases which can result in FIRE OR EXPLOSION.

The installation requirements for the Jandy Pro Series chlorine generating device are as follows:

- The power pack must be installed at least 1.5 m (5 ft.) vertically off the ground.
- In the U.S., the power pack must be installed at least 1.5 m (5 ft.) from the inside wall of your swimming pool or spa; in Canada, the power pack must be installed at least 3 m (10 ft.) from the inside wall of your swimming pool or spa.
- The cell must be installed on a 0.4 m (16 in.) horizontal length of pipe after the heaters, pumps, and filters, as the last piece of equipment in the circulation plumbing system. (see Figure 3).
- The cell must be installed no more than 4.6 m (15 ft.) from the power pack (see Figure 3).
- It is recommended that the cell be installed 25 cm

(10 in.) from any 90° elbow.



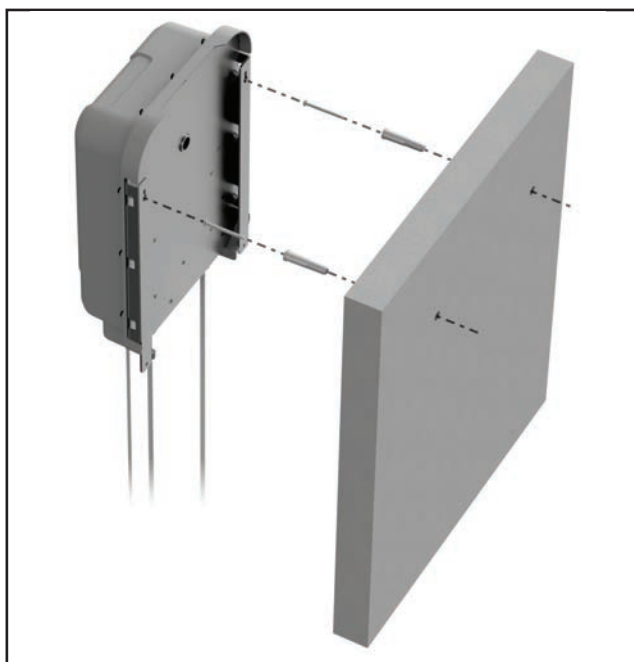
Figure 3. Installation Requirements

3.3 Installing the Power Pack

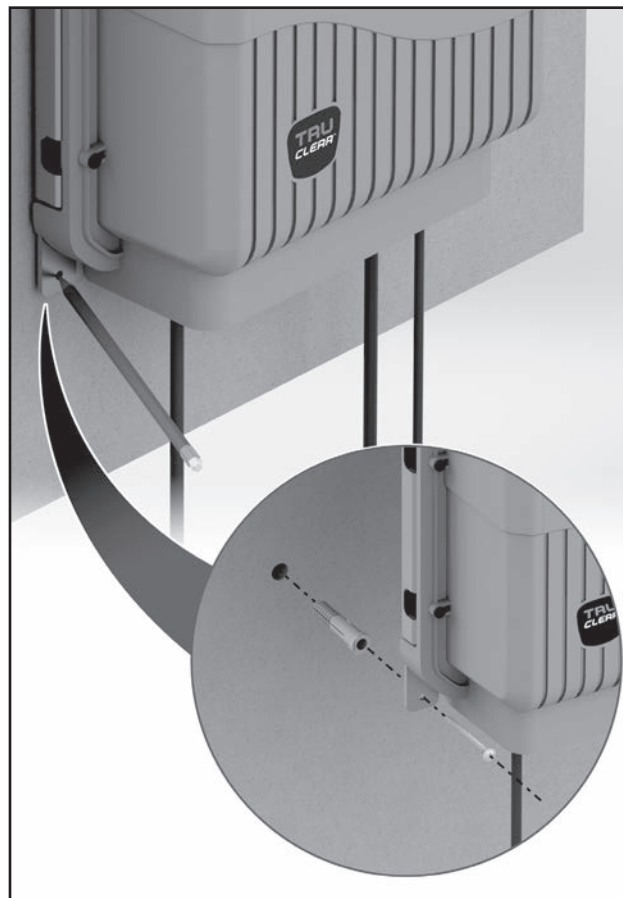
1. Ensure placement of the cell and the power pack will meet all the installation requirements outlined in Section 3.2.
2. Determine the desired location on the wall to mount the Power Pack.
3. Mark and drill the top two holes in the wall, using the template on the Quick Start Guide. The distance from the center of the two holes is 10". Use a level and the template to locate the exact position of the holes.



4. Drive the screws into the holes and hang the Power Pack from the top two holes of the backplate.



5. With the Power Pack in place, mark the position of the bottom two holes.



6. Remove the Power Pack, drill the bottom two holes and place the screw anchors in position.
7. Mount the Power Pack by hanging it from the top two screws already in place, then drive in the two bottom screws to complete the installation.

⚠ WARNING

To avoid property damage, serious injury or death, do not operate the electrolytic cell without water circulation. A buildup of flammable gasses which can result in FIRE OR EXPLOSION. The power pack must be interconnected with the pool pump motor power source to ensure that the chlorinator only operates when the pool pump is running. The flow sensor feature of the Jandy TruClear is intended to be used as a backup only and should not be used as the sole source of flow detection.

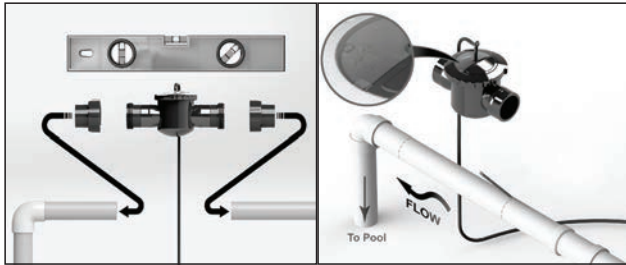
3.4 Installing the Cell

Standard Installation

The standard installation consists of plumbing the housing unit of the TruClear directly into the pool plumbing system, without the use of threaded unions.

1. Determine the desired location for the cell as the last piece of equipment before the return inlet to the pool, on a pipe segment at least 16 inches long. The cell must be mounted upright on pipe which runs within $\pm 5^\circ$ of level (parallel to the ground). The cell cannot be mounted on a vertical, or sloping pipe.

NOTE The cell must be installed on a 16 Inch (40cm) horizontal length of pipe after the heaters, pumps, and filters, as the last piece of equipment in the circulation plumbing system before the pool inlet (see Figure 1).



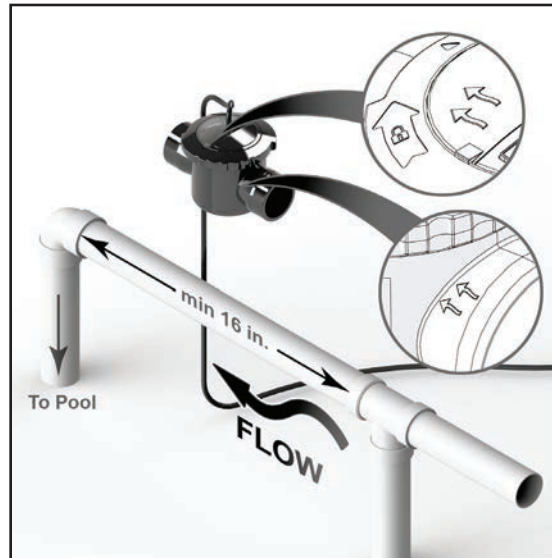
2. Make the appropriate cuts in the pipe where you will be installing the cell. The gap between the cuts should be 6 inches.



3. Remove the cell from the housing and plumb the housing into the pipe, making sure that the flow indicator arrows on the housing match the flow direction of the water. Pipes must be clean and dry before gluing.



NOTE If the flow direction of the water does not match the arrows on the housing, the cell will malfunction.



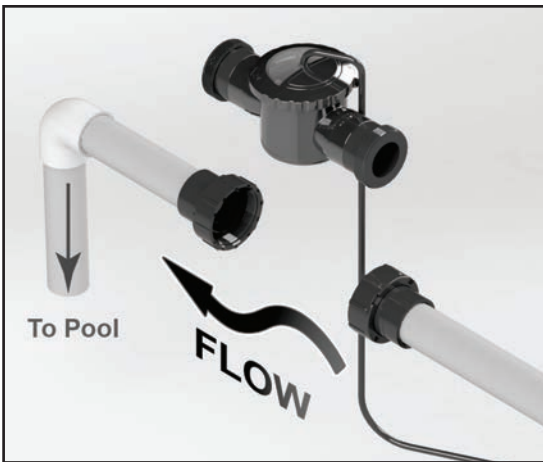
4. Let the system dry per instructions provided by the glue manufacturer. When the glue is dry, start the system and check for proper water flow.

Retrofitted Installation

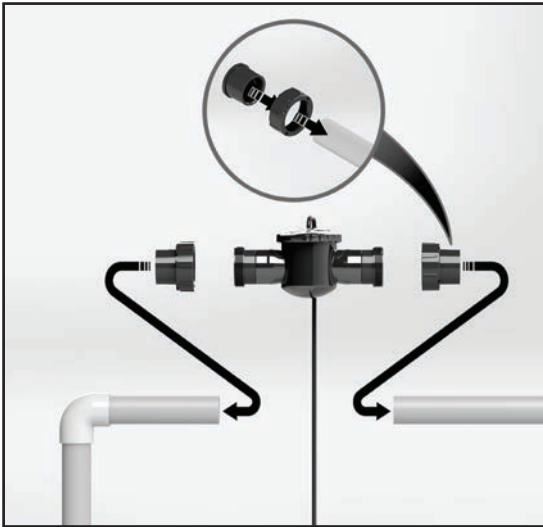
The retrofitted installation is a factory designed TruClear with threaded unions built into the housing unit. This method can be used to replace an existing chlorine generator or as a new installation.

1. Determine the desired location for the cell as the last piece of equipment before the return inlet to the pool, on a pipe segment at least 16 inches long. The cell must be mounted upright on pipe which runs within $\pm 5^\circ$ of level (parallel to the ground). The cell cannot be mounted on a vertical, or sloping pipe.

NOTE The cell must be installed on a 16 Inch (40cm) horizontal length of pipe after the heaters, pumps, and filters, as the last piece of equipment in the circulation plumbing system just before the pool (see Figure 1).



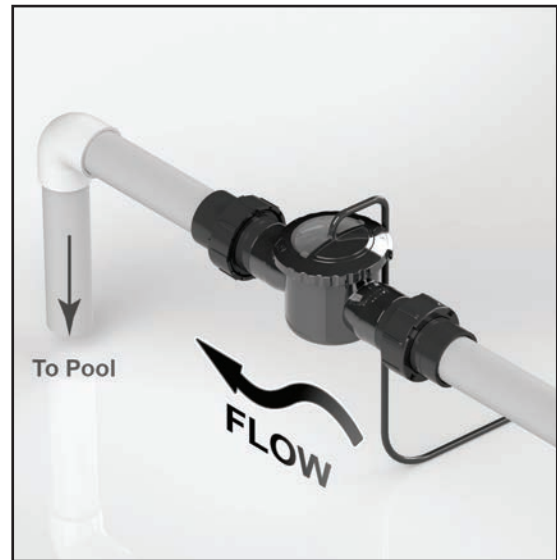
- Remove the existing equipment and make any appropriate cuts in the pipe where you will be installing the cell.



- Remove the cell from the housing and plumb the housing into the pipe, making sure that the flow indicator arrows on the housing match the flow direction of the water. Pipes must be clean and dry before gluing.



NOTE If the flow direction of the water does not match the arrows on the housing, the cell will malfunction.



- Let the system dry per instructions provided by the glue manufacturer. When the glue is dry, start the system and check for proper water flow. Make sure the cell is closed (locked into the housing) before you start the filter pump.

3.5 Wiring the Power Pack to the Power Source

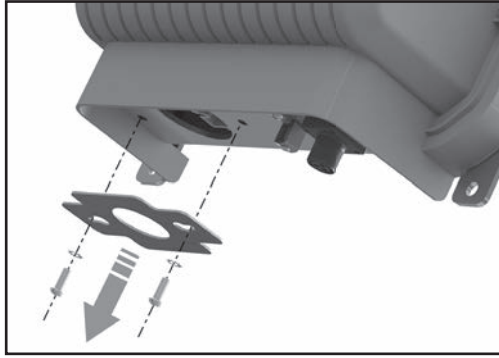
⚠ WARNING

When using electrical products, basic precautions should always be followed, including the following:

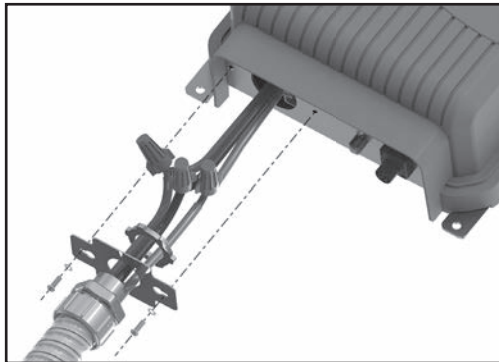
- **DANGER: RISK OF ELECTRIC SHOCK WHICH CAN RESULT IN SERIOUS INJURY OR DEATH.** Before attempting installation or service, ensure that all power to the device is disconnected/turned off at the circuit breaker. Connect only to a circuit protected by a ground-fault circuit-interrupter (GFCI).
- Grounding is required. The unit should be installed by a qualified service representative and should be properly grounded and bonded (See Section 3.6, Bonding).
- To avoid property damage, serious injury or death, never use the chassis backplate of the power pack to ground any other equipment.
- Install to permit access for servicing.
- Select field conductor size appropriately, taking into consideration length of circuit and in accordance with applicable installation codes. **Wiring should only be attempted by a qualified professional.**

- Wire power pack to pool pump power source using 3.3 mm² (12 AWG) insulated wire and conduit. Wire the power pack to the LOAD side of the filter pump or the LOAD side of the pool pump timer relay so that the chlorinator can only come on when the pool pump comes on (see Figure 4).

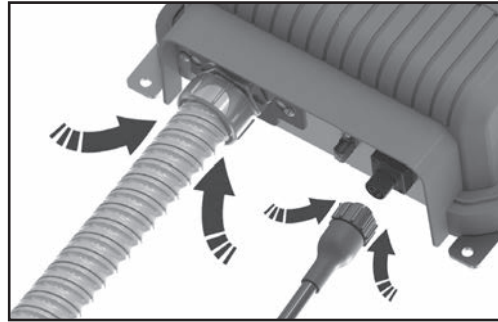
- Remove the electrical mounting plate that feeds the power cable to the power pack.



- Feed the power cable through the mounting plate.
- Connect the conduit to the mounting plate.
- Make the wire connections. Note: The green wire should be connected to the ground point.



- Place all of the wire connections and cables inside the power pack and secure the electrical mounting plate tightly.



- Plug the cell into the Power Pack.

3.6 Bonding

The National Electric Code® (NEC®) requires pool equipment to be bonded to each other. Check your local codes to determine if the NEC and/or other local installation codes are enforced by the Authority Having Jurisdiction (AHJ). A solid, copper 8.37 mm² (8 AWG) wire is recommended, per the NEC, for bonding the power pack to a permanent bonding connection that is acceptable to the local AHJ. Refer to your locally enforced codes for the acceptable bonding wire gauge. Attach the bonding point located on the bottom of the chassis backplate to a common bonding point. Do not use the power pack as the common bonding point. Each piece of non-related pool equipment requiring a ground should also be bonded to the common, approved bonding point. There should be one bonding connection to the power pack. In Canada, the Canadian Electrical Code (CEC) dictates that the bonding conductor be, minimum 13.3 mm² (6 AWG).

⚠ WARNING

Select field conductor size appropriately, taking into consideration length of circuit and in accordance with applicable installation codes. The ground conductor must be minimum 12 AWG

Use Copper Conductors Only – Rated for 90°C Minimum

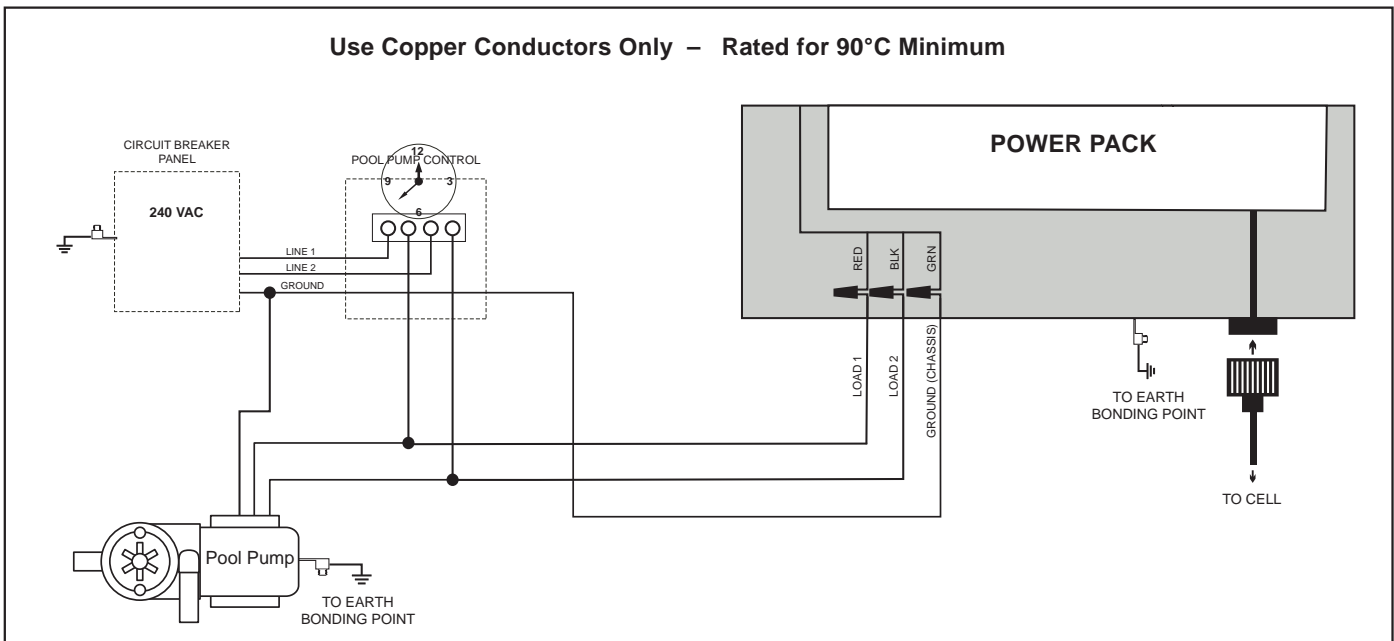


Figure 4. Wiring Diagram

3.7 Split Return Plumbing Instructions: For Infloor Cleaning Systems

If the chlorinator is used with an in-floor cleaning system, it must be installed in a separate dedicated return line or damage to the chlorinator will occur.

NOTE Do not install the chlorinator on in-floor systems that do not have a dedicated pool return as shown in Figure 5.

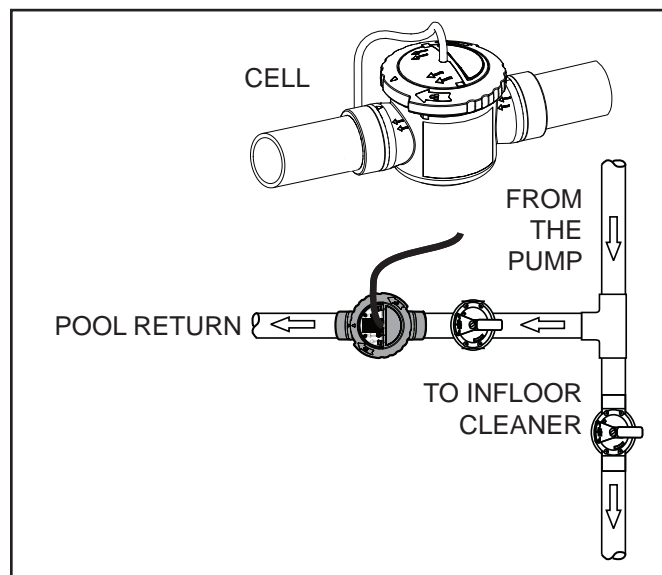


Figure 5. New Pool Plumbing for In-Floor Systems

Section 4. Pool Water Preparation

4.1 Determining Pool Size (Litres)

- **Rectangular Pools**
Length (metres) x width (metres) x average depth (metres) x 1000 = litres capacity.
- **Circular Pools**
Radius (metres) x Radius (metres) x 3.14 x average depth (metres) x 1000 = litres capacity.
- **Oval Pools**
Short Radius (metres) x long radius (metres) x 3.14 x average depth (metres) x 1000 = litres capacity.

4.2 Determining Pool Size (Gallons)

- **Rectangular Pools**
Length (feet) x width (feet) x average depth (feet) x 7.5 = gallon capacity.
- **Circular Pools**
Radius (feet) x radius (feet) x 3.14 x average depth (feet) x 7.5 = gallon capacity.
- **Oval Pools**
Long radius (feet) x short radius (feet) x 3.14 x average depth (feet) x 7.5 = gallon capacity.

4.3 Chemistry You Need to Know

- **Chlorine Stabilizer** (cyanuric acid) is needed to maintain proper levels of chlorine. Most non-stabilized chlorine is destroyed by the UV radiation from the sun within two (2) hours. Chlorine stabilizer should be maintained between 30 - 50 ppm. For indoor pools, it is not necessary to add chlorine stabilizer to the swimming pool water.
- **Nitrates** can cause extremely high chlorine demands and will deplete chlorine from your swimming pool. In some cases nitrates may even lower your chlorine levels to zero. Your local pool professional can test for nitrates. Make sure nitrates are not present in your pool.
- **Metals** (some metals) can cause loss of chlorine and stain your pool. Have your local pool professional check for metals and recommend methods of removal.
- **Combined Chlorine (Chloramines)** should not be present in pool water. When organic materials combine with free chlorine, chloramines are formed. This ties up the free chlorine in your pool and does not allow the chlorine in your pool to disinfect. Chloramines also cloud pool water and burn the eyes. Shock to remove chloramines at the initial startup of the pool.
- **Shocking or Super Chlorination** enhances chlorine's ability to oxidize organic waste by eliminating combined chlorine (CC). To measure combined chlorine (CC), subtract the Free Chlorine (FC) from the Total Chlorine (TC). ($TC - FC = CC$).
To determine how much shock (fast dissolving chlorine) it will take to properly shock your pool, you'll need to calculate the Breakpoint Chlorine (BPC) level. To determine the Breakpoint Chlorine (BPC) needed, multiply the Combined Chlorine (CC) level by 10. Then, subtract the Free Chlorine (FC) level. Here's the Formula:
Breakpoint Chlorine (BPC) = $((CC \times 10) - FC)$
for example: If $FC=1.0\text{ppm}$, and if $CC=0.7\text{ppm}$, the BPC level would be 6.0 ppm. formula: $((0.7 \times 10) - 1.0)=6.0$
Your local pool professional can help with this calculation or can supply you with test kits that can provide this information. Running your unit at 100% for 24 hours may also help you achieve breakpoint chlorination. If diminished water clarity or evidence of algae persists, your local pool dealer may suggest additional steps to sanitize your pool water and eliminate chloramines.

NOTE On initial startup of a pool, it is best to shock using an alternate source, i.e., use a shock treatment available at your local pool supplier.

Proper Water Balance is key to your enjoyment of your pool or spa experience and to the long life of your cell.

- The pH of your pool or spa’s water is the measure of whether water is either acidic or scale forming. Cold water is typically more acidic, while hot water is more scale forming. The ideal range for pH in either a pool or a spa is 7.4 to 7.6 regardless of temperature. If pH is allowed to rise, above 7.6 and the chlorine generator is operating, calcium in the water may coat the metal plates in the cell. This could restrict the flow of water resulting in reduced efficiency and possibly damage the cell. If the pH is allowed to drop below 7.4, the water will become more acidic and will dissolve the metal components in the pool plumbing with the metal plates in the cell being a prime target.
- **Total Dissolved Solids (TDS).** Adding salt to pool water will raise the TDS level. While this does not adversely affect the pool water chemistry or clarity, the pool water professional testing for TDS must be made aware salt has been added for the sanitizing system. The individual performing the TDS test will then subtract the salinity level to arrive at the correct TDS level.
- **New pool water** in a recently filled or newly refinished pool may contain undesirable matter which could interfere with the salt water chlorinator’s ability to sanitize properly. Make sure the water is tested by a pool professional and properly balanced before turning on the chlorinator system. New plaster pools have a constant acid demand for six (6) months. Test often and maintain a proper pH to avoid excess scaling of the cell.

- **Langelier Saturation Index** is a standard method of determining the potential of your pool water to be corrosive or scale forming. PH, Total Alkalinity (TA), temperature, Calcium Hardness and Total Dissolved Solids (TDS) play a role in the calculation of the final saturation rating.

Saturation Index = pH + AF + CF + TF -12.1*					
A-Factor=(AF), C-Factor=(CF), T-Factor=(TF)					
Total Alkalinity		Calcium Hardness		Temperature	
A-Factor		C-Factor		T-Factor	
PPM	Factor Value	PPM	Factor Value	°F	Factor Value
5	= 0.7	5	= 0.9	32	= 0.0
25	= 1.4	25	= 1.0	37	= 0.1
50	= 1.7	50	= 1.3	46	= 0.2
75	= 1.9	75	= 1.5	53	= 0.3
100	= 2.0	100	= 1.6	60	= 0.4
150	= 2.2	150	= 1.8	66	= 0.5
200	= 2.3	200	= 1.9	76	= 0.6
300	= 2.5	300	= 2.1	84	= 0.7
400	= 2.6	400	= 2.2	94	= 0.8
800	= 2.9	800	= 2.5	105	= 0.9

A saturation index of 0 is perfectly balanced
 A negative saturation index has corrosive tendencies
 A positive saturation index has scaling tendencies
 A saturation index of +0.3 or -0.3 is ideal
 *-12.1 should be changed to -12.2 if Total Dissolved Solids (TDS) measure at 1,000 ppm or greater

4.4 Optimum Pool Water Conditions

In accordance with the Association of Pool and Spa Professionals® (APSP®) standards, we recommend the following water balance conditions be maintained on an on-going basis to protect the pool finish and the equipment and to ensure the pleasing appearance of the water. The Jandy Pro Series is warranted to operate properly only if the following conditions are met:

- Free Chlorine:** Ideal levels should be 1.0 - 3.0 ppm.
- Combined Chlorine (Chloramines):** None. Use shock (fast dissolving chlorine to remove all chloramines).
- pH:** 7.4 - 7.6 (Use muriatic acid to lower pH and soda ash to raise pH).
- Chlorine Stabilizer (Cyanuric Acid):** 30 - 50 ppm (for outdoor pools only).
- Total Alkalinity:** 80 - 120 ppm
- Calcium Hardness:** 200 - 400 ppm
- Metals (Iron, Manganese):** None
- Nitrates:** None
- Phosphates:** None
- Temperature:** Above 60°F (16°C)

4.5 Collecting a Water Sample

To properly collect a water sample for use with your home test kit or to be taken to local pool dealer there are some good practice suggestions that should be followed.

Never use glass containers in the pool area.

Choose a location well away from the return fittings that are bringing water back to the pool.

Take the container and turn it upside down to trap air and then turn the container upright 46 cm (18 in.) below the surface of the water. Bring container to the surface and cap the container.

4.6 Salt (NaCl Sodium Chloride)

When to add salt

Add salt to the pool if the salt is too low (see Table 1). For a new pool or newly resurfaced pool it is recommended to wait at least 30 days (surface should be completely cured) before adding salt. Do not run the chlorinator at this time. Manually chlorinate the pool. Contact your dealer for recommendations. Follow the pool surface manufacturer's guidelines for your particular pool. For vinyl and fiberglass pools, salt can be added at start up.

What Type of Salt to Use

- The purer the salt, the better the life and performance of the electrolytic cell. Use a salt that is at least 99.8% pure NaCl. The salt is an evaporated, granulated, food quality, non-iodized salt. Consult your pool store.
- Avoid using salt with anti-caking agents (sodium ferrocyanide, also known as YPS or yellow prussiate of soda) that could cause some discoloration of fittings and surface finishes in pool.
- Water conditioning salt pellets are compressed forms of evaporated salt and may be used but will take longer to dissolve.
- **Do not** use calcium chloride as a source of salt. Use sodium chloride only.
- **Do not** use rock salt because insoluble impurities mixed with the rock salt can shorten the life of the unit.

How Much Salt to Use

Use salinity test strips, a TDS/salinity meter, or another reliable method to test the salinity of the pool water. Once the existing salinity has been established, use Table 1 to determine the amount of salt to add to reach the desired level. Be conservative when adding salt as it is easier to add more if needed than it is to dilute if there is too much salt.

- 3,000 ppm of salt is recommended for optimum water conditions.
- Low salt concentration below 2,500 ppm will cause premature cell failure.
- High salt concentration above 6,000 ppm may cause corrosion damage to pool fixtures.

CAUTION

It is important to note that certain materials used in and around swimming pools and spas may not be compatible with chemicals commonly used to purify pool and spa water (e.g. acids, chlorine, salt, stabilizers, etc.).

Zodiac Pool Systems, Inc. does not warrant or guarantee that the chlorinated water generated by the Jandy Pro Series chlorine generating device will not damage or destroy certain types of plants, decking, coping and other materials in and around your pool and/or spa. Before selecting materials to be used in and around your pool and/or spa, please discuss all options with your contractor to assess the compatibility of such materials and chemicals.

Some helpful considerations may include:

- Choosing plants that can withstand splash out of pool water containing chlorine and/or salt and other water purification chemicals.
- All metal components used in and around a pool should be of a high grade, quality stainless steel.
- Careful selection of masonry products. The porosity and hardness of natural stones varies greatly. Therefore we recommend you consult with your builder or stone contractor on the best choice for stone materials around your pool or spa.
- Sealing all masonry products. Professionals in the stone industry specify that even natural stone, especially when used outdoors, be sealed to prevent weathering, staining, and premature degradation. Consult with your stone or deck contractor for the proper sealer for the masonry products you have selected to use around your pool or spa.
- For optimal results, sealers should be reapplied on a regular basis. Reapply the protective sealer on a schedule per the manufacturer's instructions.
- Use of chemicals other than those recommended may be hazardous. Follow the chemical manufacturers instructions.

NOTE For a new pool or newly resurfaced pool it is recommended to wait at least 30 days (surface should be completely cured) before adding salt. Follow the pool surface manufacturers guidelines for your particular pool. For vinyl and fiberglass pools, salt can be added at start up.

Table 1. Approximate Pounds and Kilograms of Salt Needed to Obtain 3.0 gpl (3,000 ppm)


Current Salt Level ppm	Pool/Spa Size - US Gallons (Litres)					
	10,000 g (38,000 L)	15,000 g (57,000 L)	20,000 g (76,000 L)	25,000 g (95,000 L)	30,000 g (114,000 L)	35,000 g (132,000 L)
0	250 lbs (114 kgs)	376 lbs (170 kgs)	501 lbs (227 kgs)	626 lbs (284 kgs)	751 lbs (341 kgs)	876 lbs (397 kgs)
250	229 lbs (104 kgs)	344 lbs (156 kgs)	459 lbs (208 kgs)	574 lbs (260 kgs)	688 lbs (312 kgs)	803 lbs (364 kgs)
500	209 lbs (95 kgs)	313 lbs (142 kgs)	417 lbs (189 kgs)	522 lbs (237 kgs)	626 lbs (284 kgs)	730 lbs (331 kgs)
750	188 lbs (85 kgs)	282 lbs (128 kgs)	376 lbs (170 kgs)	469 lbs (213 kgs)	563 lbs (256 kgs)	657 lbs (298 kgs)
1000	167 lbs (76 kgs)	250 lbs (114 kgs)	334 lbs (151 kgs)	417 lbs (189 kgs)	501 lbs (227 kgs)	584 lbs (265 kgs)
1250	146 lbs (66 kgs)	219 lbs (99 kgs)	292 lbs (132 kgs)	365 lbs (166 kgs)	438 lbs (199 kgs)	511 lbs (232 kgs)
1500	125 lbs (57 kgs)	188 lbs (85 kgs)	250 lbs (114 kgs)	313 lbs (142 kgs)	376 lbs (170 kgs)	438 lbs (199 kgs)
1750	104 lbs (47 kgs)	156 lbs (71 kgs)	209 lbs (95 kgs)	261 lbs (118 kgs)	313 lbs (142 kgs)	365 lbs (166 kgs)
2000	83 lbs (38 kgs)	125 lbs (57 kgs)	167 lbs (76 kgs)	209 lbs (95 kgs)	250 lbs (114 kgs)	292 lbs (132 kgs)
2250	63 lbs (28 kgs)	94 lbs (43 kgs)	125 lbs (57 kgs)	156 lbs (71 kgs)	188 lbs (85 kgs)	219 lbs (99 kgs)
2500	42 lbs (19 kgs)	63 lbs (28 kgs)	83 lbs (38 kgs)	104 lbs (47 kgs)	125 lbs (57 kgs)	146 lbs (66 kgs)
2750	21 lbs (9 kgs)	31 lbs (14 kgs)	42 lbs (19 kgs)	52 lbs (24 kgs)	63 lbs (28 kgs)	73 lbs (33 kgs)
3000	Optimum	Optimum	Optimum	Optimum	Optimum	Optimum

Table 2. Approximate Pounds and Kilograms of Stabilizer Needed to Obtain 50 ppm

Current Cyanuric Acid Level -ppm	Pool/Spa Size US Gallons (Litres)					
	10,000 g (38,000 L)	15,000 g (57,000 L)	20,000 g (76,000 L)	25,000 g (95,000 L)	30,000 g (114,000 L)	35,000 g (132,000 L)
0	(4.2 lbs) 1.9 kgs	(6.3 lbs) 2.9 kgs	(8.4 lbs) 3.8 kgs	(10.5 lbs) 4.8 kgs	(12.6 lbs) 5.7 kgs	(14.8 lbs) 6.7 kgs
10	(3.4 lbs) 1.5 kgs	(5.1 lbs) 2.3 kgs	(6.7 lbs) 3.1 kgs	(8.4 lbs) 3.8 kgs	(10.1 lbs) 4.6 kgs	(11.8 lbs) 5.4 kgs
20	(2.5 lbs) 1.1 kgs	(3.8 lbs) 1.7 kgs	(5.1 lbs) 2.3 kgs	(6.3 lbs) 2.9 kgs	(7.6 lbs) 3.4 kgs	(8.9 lbs) 4.0 kgs
30	(1.7 lbs) 0.8 kgs	(2.5 lbs) 1.2 kgs	(3.4 lbs) 1.5 kgs	(4.2 lbs) 1.9 kgs	(5.1 lbs) 2.3 kgs	(5.9 lbs) 2.7 kgs
40	(0.8 lbs) 0.4 kgs	(1.3 lbs) 0.6 kgs	(1.7 lbs) 0.8 kgs	(2.1 lbs) 1.0 kgs	(2.5 lbs) 1.2 kgs	(3.0 lbs) 1.3 kgs

NOTE For indoor pools, it is not necessary to add chlorine stabilizer to the swimming pool water.

How to Add Salt to the Pool

1. Turn on pump to circulate pool water.
2. **IMPORTANT** - Turn the power pack off by pressing and holding the ON/Off button for 6 seconds.
3. Test the water for salinity level using test strips, electronic meter, or by your local pool professional.
4. Use the Table 1 to determine the amount of salt to add. Be conservative when adding salt as it is easier to add more if needed than it is to dilute if there is too much salt.
5. Disperse salt into pool. Do not add through skimmer, main drain, or surge tank. Brush the salt around the pool to facilitate dissolving. Circulate filter system for 24 hours to ensure even distribution.
6. After 48-72 hours, verify correct salt reading by testing the water salinity level using test strips, electronic meter, or by your local pool professional.
7. When the salinity level is correct, turn the power pack on. Press the  buttons to set the desired production rate.

Section 5. Operating Instructions

⚠ WARNING

To avoid property damage, serious injury or death, do not operate the electrolytic cell without water circulation. A buildup of flammable gasses which can result in FIRE OR EXPLOSION. The power pack must be interconnected with the pool pump motor power source to ensure that the chlorinator only operates when the pool pump is running.

5.1 Control Panel

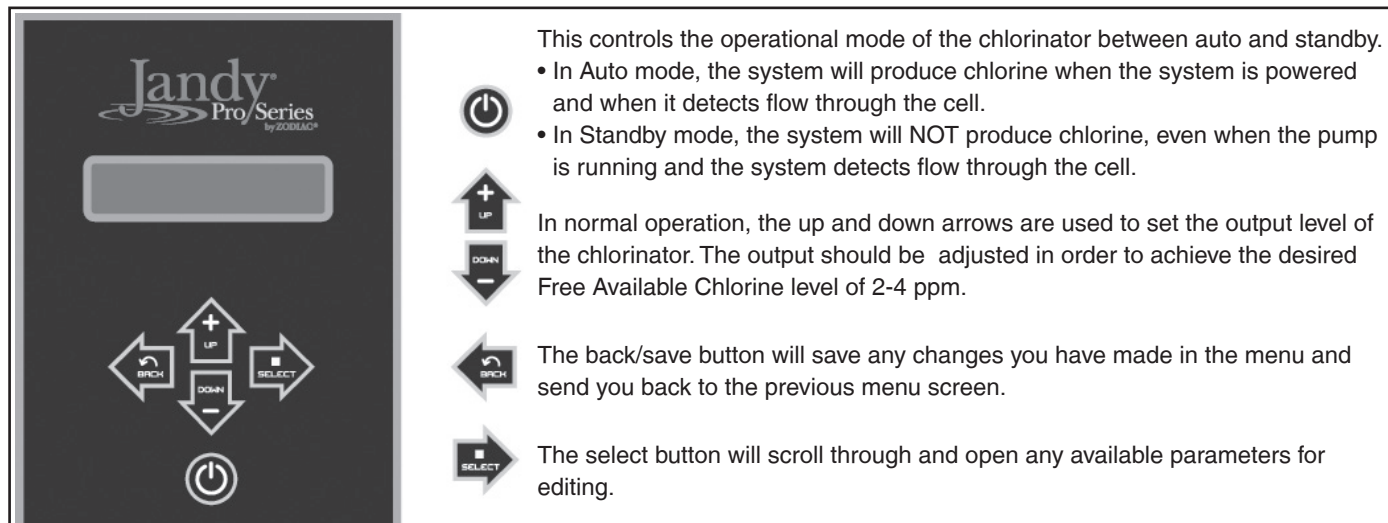


Figure 7. Control Panel on the Power Pack

5.2 Turning Power Pack On/Off (Manually)

To turn the Jandy Pro Series chlorine generating device on or off press the  button.

A quick press will place the chlorinator into “standby” state. While in “standby” mode a quick press will return to “chlorinating” mode. If held down for 6 seconds it will completely power down.

NOTE Because the power pack is wired to the pump’s power source, the power pack can only be turned on when the pump is turned on.

5.3 Turning Power Pack On/Off (Using the Pump’s External Timer)

If the power pack is wired to the pump’s external timer and the power to the unit is on, the power pack will automatically turn on and off when the pump turns on and off (see Section 3.5). When the power pack is wired as such, the only setting that must be set manually is the chlorine output level (see Section 5.4).

5.4 Setting the Chlorine Output Level

When setting the chlorine output level, the factors to consider are:

- number of gallons in the pool
- number of bathers (bather load)
- amount of pollen and dust going in the water
- number of hours the pump runs
- whether you are using a single or variable speed pump
- climate and water temperature
- amount of rain water entering the pool.

A good starting point for pools at 15K gallons and under should be 40%. Pools closer to the 25K to 30K gallons should use 60% as a starting point.




If you find that these levels do not provide the 1 - 3 PPM chlorine residual that is desired, then raise the output level higher to compensate.

If you find that output level is approaching 90% to 100% and testing the pool water shows no or very low chlorine residual, your pool may need to be manually shocked due to a waste load that has built up in the pool water that is overwhelming the chlorine you are supplying to the pool. Another cause may be the lack of Cyanuric Acid (CYA) at appropriate levels to protect the chlorine from the UV rays of the sun.




NOTE The unit only runs while your pump is running. More pump runtime will result with more chlorine in the water.




With all the variables mentioned above, it may take you a couple weeks to find the right production rate for your pool.

To adjust the output level, follow these steps:

1. Turn the power pack on by pressing the  button.
2. Press the  and  buttons to reach the desired output level. The minimum setting is 10%. The output can be adjusted in increments of 10% up to 100%. This controls the amount of run time for the cell.

5.5 BOOST/LOW Mode

The BOOST mode can be used to maximize chlorine output for a short period of time. To activate BOOST mode, press the  and  buttons simultaneously. The boost will turn off after 24 hours. To turn off BOOST mode manually, press the  button.

The LOW mode can be used to minimize chlorine output while activated. To activate LOW mode, press the  and  buttons simultaneously. The LOW mode will stay on indefinitely. To turn off LOW mode, press the  button

5.6 Polarity Reversal

The Jandy Pro Series chlorine generating device is a reversible polarity cell which means that the cell will periodically switch its polarity to help prevent any build up of calcium on the cell plates. This is sometimes referred to as the automated cell cleaning feature. During the transition between changing its polarity there is a brief period when the cell will not produce any chlorine. Once it has changed polarity, it will continue to make chlorine.

NOTE 'CLEANING' will be displayed on the screen during the 'WAIT' period. The output level indicator will remain as set during the cleaning period.

Section 6. Maintenance Instructions

Before servicing the Jandy Pro Series chlorine generating device please ensure you have read and understood the Important Safety Instructions section.

IMPORTANT Always test the chlorine levels of your pool before each use. During heavy usage where bather load is increased, chlorine levels may deplete quickly and require more adjustments. Monitor the chlorine closely, and take appropriate measures in order to maintain the recommended 1 - 3 ppm free chlorine residual.

6.1 Weekly

1. **Chlorine Test.** Test pool water chlorine level with a reliable test kit. Maintain an ideal range by adjusting the chlorine output level on the power pack (see Section 5.4) or if necessary, by

supplementing the chlorinator with additional dry or liquid chlorine. The recommended free chlorine level is 1 - 3 ppm. See section 4.5 for instructions on collecting a water sample.

NOTE Never use glass containers in the pool area. Broken glass becomes difficult to see under water.

2. **pH Level Test.** Test the pH level of your pool with a test kit. If necessary, adjust to maintain a pH level of 7.4 - 7.6 (see Section 4.3).

CAUTION

Never use dry acid to adjust pH in arid geographic areas with excessive evaporation and minimal dilution of pool water with fresh water. A build up of by products can damage the electrolytic cell.

3. **Total Alkalinity Test.** Test pool water for total alkalinity with a test kit. Take steps necessary to maintain an alkalinity of 80 - 120 ppm (see Section 4.3).
4. **Calcium Hardness.** Test pool water for calcium hardness level using test kit or by having a water sample tested by a pool professional. Adjust as necessary to maintain a calcium hardness of 175 - 400 ppm (see Section 4.3).

6.2 Monthly

1. **Check the cell.** It is recommended that the cell be inspected every month for scale and/or calcium deposits. Light colored, crusty deposits known as scale will form in excessively hard water or from pool water that is out of balance. Following the installation of the Jandy Pro Series chlorine generating device, check the cell once a month for signs of scale. Hold the plate bundle to a light source so the light can be seen between the plates. If the light is easily seen through the plates and/or a small amount of scale is visible, the cell does not need to be cleaned. Reinstall.
On the other hand, if the light is barely visible through the plates or the light is totally blocked by scale, then the cell needs to be cleaned. See Section 6.3 for instructions.

NOTE Excessive cleaning can shorten the life of your cell.

2. **Salt Level Test.** Use salinity test strips, a TDS/salinity meter, or another reliable method to test the salinity of the pool water. Once the existing salinity has been established, use Table 1 to determine the amount of salt to add to reach the desired level. Be conservative when adding salt as it is easier to add more if needed than it is to dilute if there is too much salt. If the salinity level of the pool is correct and the salt LED does not go out, see Section 7.

Troubleshooting.

3. **Pool Water Sample.** Take water sample to local pool store for testing.
4. **Stabilizer (Cyanuric Acid).** Test pool water stabilizer (cyanuric acid) level using a test kit or by having a water sample tested by a pool professional. Maintain ideal range of 30 - 50 ppm. Follow your pool professional's recommendations and check all local and federal regulations to ensure that the ideal range is suitable for your specific conditions. For indoor pools, it is not necessary to add chlorine stabilizer to the swimming pool water.
5. **Metals Test.** It is recommended that the pool water be tested periodically for the presence of metals such as iron, and manganese. These metals should not be present in the pool water. If those metals are present, contact your local pool professional.

6.3 Cleaning the Cell

⚠ CAUTION

Disconnect power to the system at the main circuit breaker before performing this procedure to avoid risk of electric shock which can result in property damage, severe injury or death.

If the cell has a tendency to scale, it is recommended that every month the cell be removed and inspected for scale formation and/or debris. Some filters allow debris to pass through to the cell which could lodge between the plates in the cell. A small amount of scale formation is normal. If by looking through the cell it is observed that there is excessive scale formation between the plates or debris is present, the cell must be cleaned as follows:

1. Ensure that all power to the power pack and the controller is turned off at the circuit breaker.
2. Before removing the cell for cleaning, shut off any necessary valves to prevent any water loss.
3. Open the air relief valve on the filter to release any pressure in the pool system.
4. Loosen the ring and remove the cell.



5. With protective glasses and gloves on, add one (1) part muriatic acid to ten (10) parts water in a small bucket and mix the cleaning solution together.

⚠ CAUTION

- When cleaning the cell, wear protective eyeglasses and gloves.
- When mixing acid with water, prepare the solution by **ALWAYS ADDING ACID TO WATER. NEVER ADD WATER TO ACID.**
- Never use undiluted Muriatic acid. Always use the recommended mixture of Muriatic acid and water.

6. Submerge the cell into the cleaning solution.



7. A foaming action will begin, which is caused by scale (calcium carbonate) being dissolved from the plates. If foaming action does not begin, the cell does not need to be cleaned (STOP THE CLEANING PROCESS - go to the step 10). Otherwise allow the cell to remain in the solution until the foaming has stopped (approximately 5 - 10 minutes).

NOTE Do not use a screwdriver or any other metal object to remove calcium deposits.

8. Flush the cell with fresh water and perform the inspection again. If considerable blockage is still present, then re-submerge the plates back into the cleaning solution, flush and reinspect.
9. After the cell has been cleaned, dispose of the solution according to local regulations.
10. Rinse the cell thoroughly with clean tap water and inspect. If deposits are still visible on the electrolytic cell, repeat step 6.

NOTE Excessive acid washing will damage the electrolytic cell. **Do not leave in acid for more than 30 minutes.**

10. Once the cell is clean, reattach the cell as described in Section 3.4.

6.4 Winterizing

NOTE Do not use Ethylene Glycol (anti-freeze) in the system.

Very little chlorine is needed in cold water. Operating the chlorinator below 55°F (13°C) is not recommended. Operating the chlorinator in cold water can dramatically shorten the life of the cell.

If preventative measures are not taken, freezing water may cause severe damage to the cell. Prevent freeze damage to the cell by running pump continuously or winterize pool by draining water from pump, filter, and all intake and return lines. Remove the cell, clean it and store it indoors.

A winterizing cap (R0621900) can be purchased to replace the cell during winterizing or cell maintenance. This will enable pool pump to circulate water with the cell out of the line.

During prolonged periods when the water will be less than 55°F (13°C), the unit should be turned off and a chlorine floater or erosion feeder should be used by putting a small number of tablets in either of these devices until the water temperature increases. Doing this will lengthen the cell life and provide better performance when water conditions are more optimal.

Section 7. Troubleshooting

WARNING

Always turn pump off prior to attempting service or repair. Your pump and filter system is operated under pressure and pressure must be released before you begin to avoid system damage or personal injury. Open the air relief valve on your pool filter to release the pressure in the system.

7.1 Problems and Corrective Action

Problem	Possible Cause	Corrective Action
Low or no chlorine.	Low stabilizer (cyanuric acid) level in pool water (for outdoor pools only).	Add stabilizer to maintain 30 - 50 ppm. Follow your pool professional's recommendations and check all local and federal regulations to ensure that the ideal range is suitable for your specific conditions. (see Table 2).
	Insufficient operating hours of the unit.	Increase the system operating time per day.
	Chlorine output percentage set too low.	Increase chlorine production by pressing the Output button (see Section 5.4).
	Temporary loss of chlorine due to heavy organic load - rain, leaves, fertilizer or heavy bather load. Pets using pool.	Set chlorine production to 100% and set the pump and the cell to run for 24 hours. After 24 hours, recheck chlorine levels. If still too low, super chlorinate with alternate source to achieve Breakpoint Chlorination (BPC). Your local pool dealer can assist with this if you take to them a sample of your water.
	Low (less than 3,000 ppm) salt level in pool water.	Use salinity test strips, a TDS/salinity meter, or another reliable method to test the salinity of the pool water. Once the existing salinity has been established, use Table 1 to determine the amount of salt to add to reach the desired level. Maintain a salinity level of 3,000 ppm.
	High nitrate level.	Contact a pool professional.
	Metals present in pool water.	Contact a pool professional.

Problem	Possible Cause	Corrective Action
	New pool water. Not shocked properly upon startup.	Super chlorinate the pool.
	Clogged or dirty cell.	Remove cell for inspection and clean if necessary (see Section 6.3).
Chlorine level too high. (above 7.0 PPM)	Chlorine output percentage set too high.	Decrease chlorine production rate by pressing the Output button (see Section 5.4)
	Power pack and cell turned on too long.	If chlorine output is set at the lowest setting and it consistently provides excessive chlorine levels, decrease operation time as much as necessary.
No display on LCD (screen is blank).	No power to unit.	Check the connection to the pump timer (see Section 3.5). Check if GFCI tripped.
Display says “No Flow”. Caused by insufficient water flow through the cell.	Caused by insufficient water flow through the cell. NOTE When the Flow light is on, the chlorine output will be turned off.	Check and clean the pump and skimmer baskets.
	Dirty filter.	Clean the filter.
	Closed valves.	Check and correct all valve alignments.
	Pump fails to provide sufficient water flow.	Check for correct operation of the pump. Make sure pump is sized properly for required flow rate.
The display says “Lo Tmp/Lo Salt”.	Salt level is well below 2,500 ppm, depending on water temperature.	Maintain a salinity level of 3,000 ppm - 3,500 ppm (see Section 4.6 or contact your local pool professional).
	Calcium buildup in the cell NOTE Salinity readings are taken after 5 minutes and at regular 5 minute intervals. The Salt warning will turn on when the salt level drops well below 2,500 ppm and it will remain on until the salt level is raised to 3,000 ppm or slightly above.	Clean the Cell
	Cell life expired.	Replace the cell.
	A combination of low water temperature (35°-65°F / 2°-18°C) and lower salt levels (1,500 - 2,000 ppm).	Check salt level in pool water. If level is between 3,000 - 3,500 ppm, no action is necessary. If salt levels are lower than 2,500 ppm, raise the salinity level to 3,000 - 3,500 ppm (see Section 4.6). NOTE Salt levels above 4,500 ppm may cause corrosion damage.
“Output Fault” appears on the screen.	Power supply.	Turn the power off to the power pack and consult your local pool care professional.
Salt level too low.	Not enough salt added to pool.	Add salt to pool until salinity returns to 3,000 ppm (see Section 4.6).
	Leak in pool.	Repair pool.

Problem	Possible Cause	Corrective Action
Salt level too high.	Too much salt has been added to pool.	Verify salt levels by testing. Using the most reliable method available i.e. taking sample to pool dealer before taking any dilution action. Backwash or partially drain pool and dilute with fresh water until salinity returns to 3,000 ppm - 3,500 ppm. Use the "Waste" or "Drain" position on filters equipped with multiport valves. Also a siphon using a couple of garden hoses to a street storm drain can also do a good job. Do not use backwash setting because this could cause damage to your filter. Closely monitor water level if the pump is running.
	Metal debris caught between plates or cell plates that may be touching.	Remove any debris caught between plates by using a garden hose under moderate pressure. If plates are loose and touching, replace the cell.
Strong Chlorine odor.	Presence of excess chloramines (combined chlorine). Chlorine is oxidizer, which means that organic waste is being removed from the water into the air. Strong odors are a part of this process. If these odors persist longer than 12 hours, take a water sample to your local pool dealer.	Manually shock the pool (see Section 4.3).
Cloudy water, slimy walls of pool.	Combined algae and bacteria growth.	Brush down the affected walls and then manually shock the pool (see Section 4.3).
Eye and/or skin irritation.	Improper water balance.	Balance the water to recommended levels in Section 4.4.
	High chloramine levels	Raise production rate to 100% and run pump for 24 hours. DO NOT SWIM DURING THIS TIME
Scale formation on pool equipment.	Incorrect pH causing minerals to come out of solution.	Adjust total alkalinity to 80 - 120 ppm. Then adjust pH to within the range 7.4 - 7.6 (see Section 4.4).
	NOTE To clean the deposit (scale) on the cell, see Section 6.3. High calcium hardness.	Dilute pool with fresh water. Consult your pool professional regarding use of a sequestering agent.

Section 8. Display Readings

8.1 Display Reasons and Descriptions

Display Reading	Reason	Description
EN	Language on startup	This is the acronym which should appear during the 3 seconds startup screen.
English	Language	Language selected/available for the user. Output is OFF while selection is made.
Standby	Standby	When the system is ready and waiting for the next valid chlorination cycle without any errors. Output is OFF.
Chlorinating	Chlorination	When the system is operating within a valid chlorination cycle without any errors. Output is ON.
Cleaning	Polarity reverse	When the system is operating within valid chlorination cycle and the duty cycle timer has expired. Output is OFF.
Lo Temp/Lo Salt	Low water conductivity	When the system detects low water conductivity, this could be caused by cold water, low salt levels, or a combination of the two. Check the salt level. Output is ON.
No Flow	No flow or low flow	When the system detects an absence of flow while operating within a valid chlorination cycle. Output is OFF.
Check Cell	Cell overload	When the system is running within a valid chlorination window and detects a cell short circuit or overload. Designed to warn the user or service person. Output is OFF.
	Cell open circuit	When the system is running within a valid chlorination window and detects a cell open circuit or disconnection. Designed to warn the user or service person. Output is off but retries each 30 seconds.
Over Temp	Overheated controller	<p>The controller detects internal temperature and may can reduce output power as a self-protection feature.</p> <p>At 70°C (internal) output power to the cell is reduced by 50% (no message displayed).</p> <p>At 80° C (internal) output power to the cell is reduced to 0% (OFF), and this over temperature error is displayed. Output is OFF.</p> <p>Designed to warn the user or service person of overheating.</p> <p>Please confirm that this warning message automatically disappears when internal temp goes below 80 °C.</p>

Zodiac Pool Systems, Inc.
2620 Commerce Way, Vista, CA 92081
1.800.822.7933 | www.ZodiacPoolSystems.com

Zodiac Pool Systems Canada, Inc.
2115 South Service Road West, Unit 3 Oakville (ON) L6L 5W2
+ 1 (888) 647-4004 | www.ZodiacPoolSystems.ca



ETL LISTED
CONFORMS TO
UL STD 1081
Certified to
CAN/CSA C22.2
No. 218.1

*ZODIAC® is a registered trademark of Zodiac International, S.A.S.U., used under license.
All trademarks referenced herein are the property of their respective owners.*

©2015 Zodiac Pool Systems, Inc. H0470600_REVB



GUIDE D'INSTALLATION ET MODE D'EMPLOI

ENGLISH | FRANÇAIS | ESPAÑOL



TruClear™ Pro Series de Jandy Chlorateur

⚠ AVERTISSEMENT

POUR VOTRE SÉCURITÉ – L'installation et l'entretien de ce produit doivent être effectués par un technicien autorisé et qualifié pour la réparation des équipements de piscine dans le territoire de compétence dans lequel ledit produit est installé lorsque de telles exigences locales, provinciales ou territoriales existent. Le responsable de l'entretien doit être un professionnel ayant une expérience suffisante dans l'installation et l'entretien des équipements de piscine de manière à ce que les consignes du présent manuel puissent être suivies à la lettre. Avant d'installer ce produit, prière de lire et de respecter toutes les consignes de mise en garde et les instructions comprises avec ce produit. Le non-respect des mises en garde et des instructions pourrait causer des dommages matériels, des blessures graves ou même la mort. L'installation ou l'utilisation inappropriée annulera la garantie.



L'installation ou l'utilisation inappropriée peuvent créer un danger électrique indésirable, lequel peut entraîner des blessures graves, des dommages matériels ou la mort.

À L'ATTENTION DE L'INSTALLATEUR – Le présent manuel contient des renseignements importants sur l'installation, le fonctionnement et la sécurité de ce produit. Ces renseignements doivent être donnés au propriétaire ou à l'utilisateur de cet appareil.

Table des matières

Section 1. Consignes de sécurité importantes	27	Section 5. Consignes d'utilisation	42
1.1 Consignes de sécurité	27	5.1 Panneau de commande	42
Section 2. Description générale	30	5.2 Allumer et éteindre le bloc d'alimentation (manuellement)	42
2.1 Spécifications du produit	30	5.3 Allumer et éteindre le bloc d'alimentation (à l'aide de la minuterie externe de la pompe) .	42
2.2 Contenu	31	5.4 Réglage du niveau de production du chlore.....	42
Section 3. Consignes d'installation	32	5.5 Mode BOOST/LOW (surplus/faible)	43
3.1 Matériaux et outils	32	5.6 Inversion de la polarité	43
3.2 Exigences en matière d'installation	32	5.7 Pile de secours.....	43
3.3 Installation du bloc d'alimentation.....	33	Section 6. Instructions d'entretien.....	43
3.4 Installation de la cellule	34	6.1 Hebdomadaire	43
3.5 Câblage du bloc d'alimentation à la source de courant.....	35	6.2 Mensuel.....	43
3.6 Liaison électrique	36	6.3 Nettoyage de la cellule	44
3.7 Consignes relatives à la tuyauterie de retour divisée : pour les systèmes de nettoyage au sol	37	6.4 Préparation pour l'hiver	45
Section 4. Préparation de l'eau de la piscine	37	Section 7. Dépannage	45
4.1 Déterminer les dimensions de la piscine (litres d'eau dans la piscine).....	37	7.1 Problèmes et mesures correctives	45
4.2 Déterminer les dimensions de la piscine (gallons américains d'eau dans la piscine).....	37	Section 8. Affichage de lectures	49
4.3 Notions élémentaires de chimie	37	8.1 Affichage de lectures et descriptions.....	49
4.4 Conditions optimales pour l'eau de la piscine ..	39		
4.5 Prélèvement d'un échantillon d'eau.....	39		
4.6 Sel (chlorure de sodium NaCl)	39		
Moments auxquels il faut ajouter du sel	39		
Type de sel à utiliser	39		
Quantité de sel à utiliser	39		
Façon de verser le sel dans la piscine	40		

Section 1. Consignes de sécurité importantes

LIRE ET SUIVRE TOUTES LES DIRECTIVES

1.1 Consignes de sécurité

Tous les travaux d'électricité doivent être accomplis par un électricien agréé et doivent être conformes aux normes fédérales, provinciales et régionales. Au moment de l'installation et de l'utilisation de cet équipement électrique, des précautions de base doivent toujours être suivies, entre autres :

AVERTISSEMENT

ÉQUIPEMENT SOUS PRESSION : Toujours éteindre la pompe avant d'installer le bloc d'alimentation ou la cellule ou d'en effectuer l'entretien.

La pompe et le filtre opèrent sous pression et il doit y avoir une détente de cette pression avant de commencer le travail. Consulter le manuel d'utilisateur de votre pompe/filtre pour obtenir plus de consignes.

AVERTISSEMENT

Pour réduire le risque de décharge électrique, d'incendie ou d'accidents, l'entretien doit être fait uniquement par un technicien qualifié, spécialisé dans l'entretien des piscines.

AVERTISSEMENT

Le chlorateur Pro Series de Jandy est conçu pour les piscines résidentielles uniquement. L'utilisation non conforme aux consignes pourrait nuire au fonctionnement, annuler la garantie et causer des dommages matériels, des blessures graves ou la mort.

- **L'utilisation du chlorateur sans qu'il y ait débit d'eau dans la cellule électrolytique pourrait causer une accumulation de gaz inflammables qui pourrait causer un incendie ou une explosion.**
- **Tenir l'équipement hors de la portée des enfants.**
- **Un cordon d'alimentation endommagé doit être remplacé uniquement par le fabricant, le responsable de l'entretien ou l'électricien.**
- **Lors de l'installation et de l'utilisation de cet équipement électrique, des précautions de base doivent toujours être suivies.**
- **Avant l'installation, couper toute alimentation en courant.**
- **Raccorder à un circuit qui est protégé par un disjoncteur de fuite à la terre.**
- **Ne pas installer dans une enceinte extérieure ou sous les bords d'une cuve thermique ou d'un spa.**

AVERTISSEMENT

L'installation doit être effectuée conformément au National Electrical Code® (« NEC® » ou NFPA-70®) pour les États-Unis, au Code électrique canadien (« CEC » ou C22.1) pour le Canada et à tout autre code local ou national.

RISQUE DE DÉCHARGE ÉLECTRIQUE, D'INCENDIE, DE BLESSURE OU DE MORT. Raccorder uniquement à un circuit qui est protégé par un disjoncteur de fuite à la terre. En cas de doute, consulter un électricien certifié. S'assurer qu'un tel disjoncteur de fuite à la terre est fourni par l'installateur et fait l'objet d'essais régulièrement. Pour tester le disjoncteur de fuite à la terre, appuyer sur le bouton TEST. Le disjoncteur de fuite à la terre doit couper l'alimentation électrique. Appuyer sur le bouton RESET (réinitialisation). L'alimentation électrique devrait être restaurée. Si le disjoncteur de fuite à la terre ne fonctionne pas de cette façon, c'est qu'il est défectueux. Si le disjoncteur de fuite à la terre coupe l'alimentation à la pompe sans que le bouton de test soit enfoncé, il y a alors circulation de courant à la terre, ce qui indique la possibilité de décharge électrique. Ne pas utiliser l'appareil. Débrancher cet appareil et s'assurer que le problème est résolu par un représentant de service qualifié avant de l'utiliser.

Un fil de mise à la terre vert/jaune est prévu à l'intérieur du bloc d'alimentation. Pour réduire le risque de décharge électrique, raccorder le fil de mise à la terre au fil de mise à la terre qui alimente l'appareil.

AVERTISSEMENT

Le bloc d'alimentation doit être relié à la source d'alimentation de la pompe de piscine pour garantir que le chlorateur fonctionne uniquement lorsque la pompe est en marche.

AVERTISSEMENT

- Le bloc d'alimentation doit être installé verticalement au moins à 1,5 m (5 pi) au-dessus du sol.
- Aux États-Unis, le bloc d'alimentation doit être installé au moins à 1,5 m (5 pi) de la paroi intérieure de la piscine ou du spa; au Canada, le bloc d'alimentation doit être installé au moins à 3 m (10 pi) de la paroi intérieure de votre piscine ou de votre spa.

AVERTISSEMENT

Cet appareil n'est pas conçu pour être utilisé par des personnes (incluant des enfants) avec des capacités physiques, sensorielles ou mentales réduites, ou qui n'ont pas assez d'expérience ou de connaissance, à moins d'être supervisées ou instruites sur l'utilisation de l'appareil par la personne responsable de leur sécurité.

AVERTISSEMENT

Pour réduire le risque de blessures, ne pas enlever les raccords de tuyauterie d'aspiration de votre spa ou de votre cuve thermale. Ne jamais utiliser un spa ou une cuve thermale si les raccords de tuyauterie d'aspiration sont brisés ou absents. Ne jamais remplacer un raccord de tuyauterie d'aspiration par un autre de classification inférieure au débit spécifié dans l'assemblage de l'équipement.

AVERTISSEMENT

ÉVITER LE RISQUE DE NOYADE DES ENFANTS : Ne pas laisser personne, surtout des jeunes enfants, s'asseoir, mettre le pied, s'appuyer ou monter sur des appareils faisant partie du système opérationnel de la piscine. Placer les composants de votre système opérationnel au moins à 1 m (3 pi) de la piscine pour que les enfants ne puissent pas utiliser l'équipement pour accéder à la piscine et se blesser ou se noyer.

AVERTISSEMENT

L'immersion prolongée dans l'eau chaude peut causer l'hyperthermie. L'hyperthermie survient lorsque la température interne du corps atteint un niveau supérieur de plusieurs degrés à la température normale du corps de 37 °C (98,6 °F). Les symptômes d'hyperthermie comprennent des étourdissements, l'évanouissement, la somnolence, la léthargie et une augmentation de la température interne du corps. Les effets de l'hyperthermie comprennent :

- Ignorance du danger imminent
- Incapacité de sentir la chaleur
- Incapacité à reconnaître la nécessité de sortir du spa
- Incapacité physique à quitter le spa
- Lésions fœtales chez la femme enceinte
- Perte de conscience entraînant un risque de noyade

AVERTISSEMENT

Pour réduire le risque de blessures –

- La température de l'eau dans les spas ne doit jamais dépasser 40 °C (104 °F). La température de l'eau entre 38 °C (100 °F) et 40 °C (104 °F) est considérée comme sécuritaire pour un adulte en bonne santé. Une température d'eau inférieure est recommandée pour les enfants et lorsque l'utilisation du spa dépasse 10 minutes.
- Puisque les températures de l'eau excessives ont un potentiel élevé d'endommager le fœtus pendant les premiers mois de la grossesse, les femmes enceintes ou qui pensent l'être doivent limiter la température de l'eau du spa à 38 °C (100 °F).
- Avant d'entrer dans un spa ou une cuve thermale, l'utilisateur devrait vérifier la température de l'eau à l'aide d'un thermomètre précis, car la tolérance des dispositifs de régulation de température de l'eau varie.
- La consommation d'alcool, de drogues ou de médicaments avant ou pendant l'utilisation d'un spa ou d'une cuve thermale peut entraîner la perte de conscience et la possibilité de noyade.
- Les personnes obèses ou ayant des antécédents médicaux de maladie du cœur, de diabète, de problèmes circulatoires ou de pression sanguine irrégulière devraient consulter leur médecin avant d'utiliser un spa.
- Les personnes qui prennent des médicaments devraient consulter un médecin avant d'utiliser un spa ou une cuve thermale, car certains médicaments peuvent provoquer la somnolence, alors que d'autres médicaments peuvent affecter la fréquence cardiaque, la tension artérielle et la circulation.

AVERTISSEMENT

- Les personnes atteintes de maladies infectieuses ne devraient pas utiliser un spa ou une cuve thermique.
- Pour éviter des blessures, faire bien attention en entrant ou en sortant du spa ou de la cuve thermique.
- Ne pas consommer de drogues ou d'alcool avant ou pendant l'utilisation d'un spa ou d'une cuve thermique afin d'éviter la perte de conscience ou une possible noyade.
- Les femmes enceintes ou qui pensent l'être devraient consulter un médecin avant d'utiliser un spa ou une cuve thermique.
- Une température de l'eau supérieure à 38 °C (100 °F) peut nuire à votre santé.
- Avant d'entrer dans un spa ou une cuve thermique, vérifier la température de l'eau à l'aide d'un thermomètre précis.
- Ne pas utiliser un spa ou une cuve thermique immédiatement après avoir pratiqué une activité physique intense.
- L'immersion prolongée dans un spa ou une cuve thermique peut être nuisible à votre santé.
- Ne pas permettre l'utilisation d'appareil électrique (comme une lampe, un téléphone, un radio ou une télévision) à moins de 1,5 m (5 pi) d'un spa ou d'une cuve thermique.
- L'utilisation de l'alcool, des drogues ou des médicaments peut augmenter considérablement le risque d'hyperthermie mortelle dans les spas ou les cuves thermiques.
- Une température de l'eau supérieure à 38 °C (100 °F) peut être dangereuse pour votre santé.

MISE EN GARDE

Cette pompe peut être utilisée avec des piscines installées de manière permanente et, si c'est également mentionné, avec des cuves thermiques et des spas. Ne pas utiliser dans des piscines pouvant être rangées. Une piscine permanente est construite dans le sol, sur le sol ou dans un bâtiment, de telle manière qu'elle ne puisse pas être facilement démontée et rangée. Une piscine pouvant être rangée est construite pour qu'elle puisse être démontée facilement aux fins d'entreposage, puis remontée à son état initial.

MISE EN GARDE

Il est important de noter que certains matériaux utilisés dans les spas et les piscines ou à proximité de ceux-ci peuvent être incompatibles avec les produits chimiques habituellement utilisés pour purifier l'eau des spas ou des piscines (p. ex., les acides, le chlore, le sel, les stabilisants, etc.).

Zodiac Pool Systems, Inc. ne garantit pas que l'eau chlorée produite par le chlorateur Pro Series de Jandy n'endommagera ni ne détruira certains types de plante, de revêtement ou de margelle et tout autre matériau utilisé à l'intérieur ou à proximité d'une piscine ou d'un spa. Avant de sélectionner les matériaux qui seront utilisés à l'intérieur de votre piscine ou de votre spa ou à proximité de ceux-ci, veuillez discuter avec votre entrepreneur des options disponibles pour évaluer la compatibilité de tels matériaux avec les produits chimiques.

Au moment de mélanger de l'acide ou un autre produit chimique avec de l'eau, **TOUJOURS AJOUTER L'ACIDE OU LE PRODUIT CHIMIQUE À L'EAU. NE JAMAIS AJOUTER L'EAU À L'ACIDE OU AU PRODUIT CHIMIQUE.**

Quelques conseils utiles :

- Choisir des plantes qui supportent les éclaboussures d'eau de piscine contenant du chlore ou du sel et d'autres produits chimiques de purification.
- Toutes les pièces métalliques utilisées à l'intérieur ou à proximité de la piscine doivent être fabriquées en acier inoxydable de qualité supérieure.
- Sélectionner minutieusement les produits de maçonnerie. La porosité et la dureté des pierres naturelles varient grandement. Nous vous recommandons donc de discuter avec l'entrepreneur responsable des travaux de maçonnerie pour choisir la meilleure solution en ce qui concerne les pierres à utiliser autour de votre piscine ou de votre spa.
- Sceller tous les produits de maçonnerie. Les professionnels de l'industrie de la pierre précisent qu'il faut sceller même les pierres naturelles, surtout lorsqu'elles sont utilisées à l'extérieur, afin d'empêcher l'altération, le ternissement et une dégradation prématurée. Consulter l'entrepreneur responsable des travaux de maçonnerie ou de la construction de votre terrasse afin de sélectionner le scellant adéquat pour les produits de maçonnerie qui seront utilisés autour de votre piscine ou de votre spa.
- Pour obtenir les meilleurs résultats, les scellants doivent être appliqués régulièrement. Appliquer le scellant protecteur régulièrement, conformément aux instructions du fabricant.
- L'utilisation de produits chimiques autres que ceux recommandés peut être dangereuse. Suivre les directives des fabricants de produits chimiques.

CONSERVER CES DIRECTIVES

Section 2. Description générale

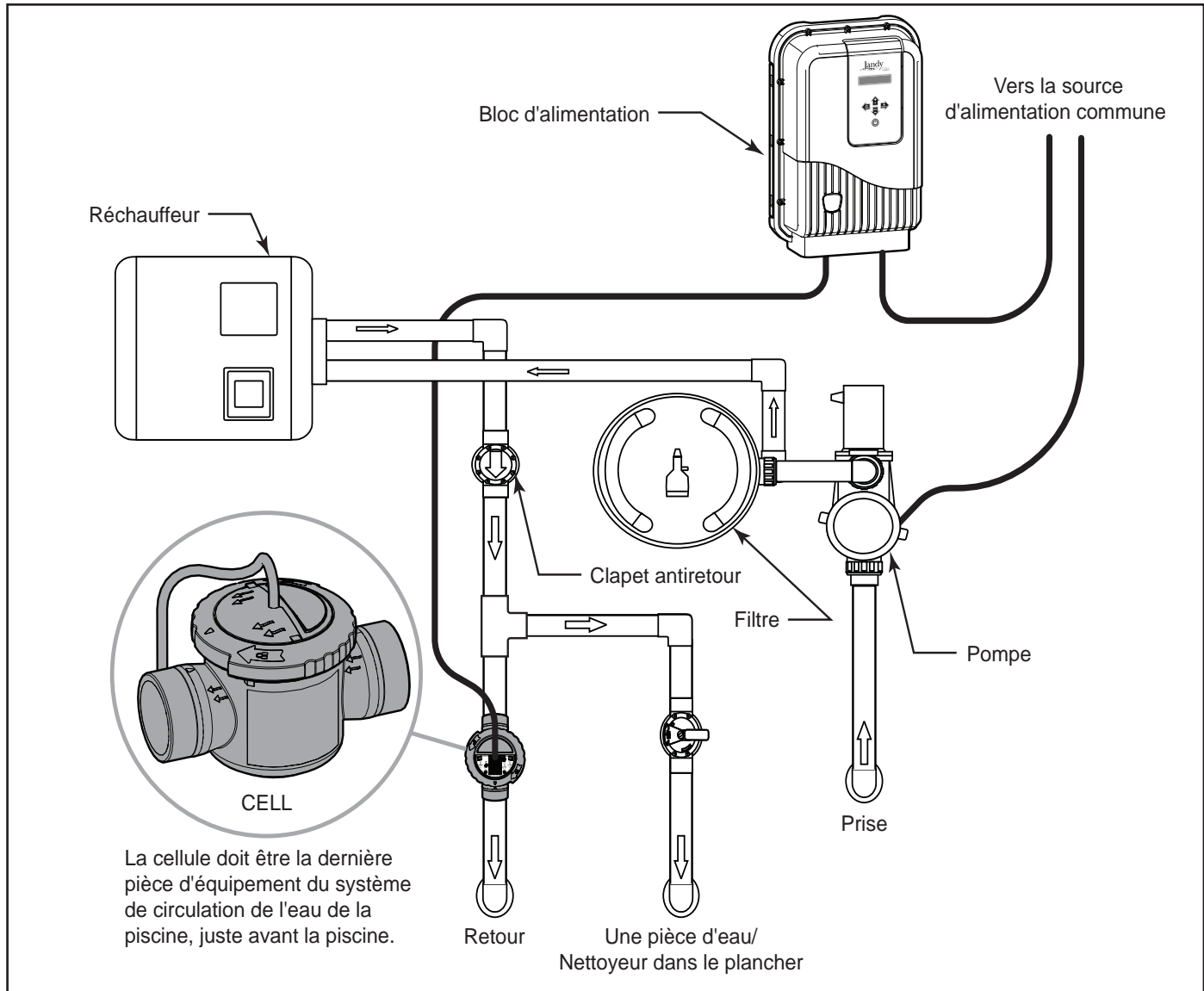


Illustration 1. Exemple d'installation

2.1 Spécifications du produit

Pression de service maximale : 50 psi	Fréquence d'entrée : 60 Hz	
Débit minimal : 76 L/m (20 g/m)	Tension de sortie : 25 V CC (max)	
Niveau de sel nécessaire : 3 000 ppm (3,0 g/L)	Dimensions :	
Volume d'eau traitée maximum : 132 000 L (35 000 gal)		Bloc d'alimentation (L x P x H) : 25,4 cm x 11,4 cm x 33 cm (10 po x 4,5 po x 13 po)
Production de chlore : 0,42 kg (0,93 lb) par jour		Cellule électrolytique (L x P x H) : 16,5 cm x 14 cm x 30,5 cm (6,5 po x 5,5 po x 12 po)
Tensions d'entrée : 240 V	Poids :	
Courant d'entrée @ 240 V CA : ~1 A		Bloc d'alimentation : 3,2 kg (7 lb) Cellule électrolytique : 0,9 kg (2 lb)

2.2 Contenu

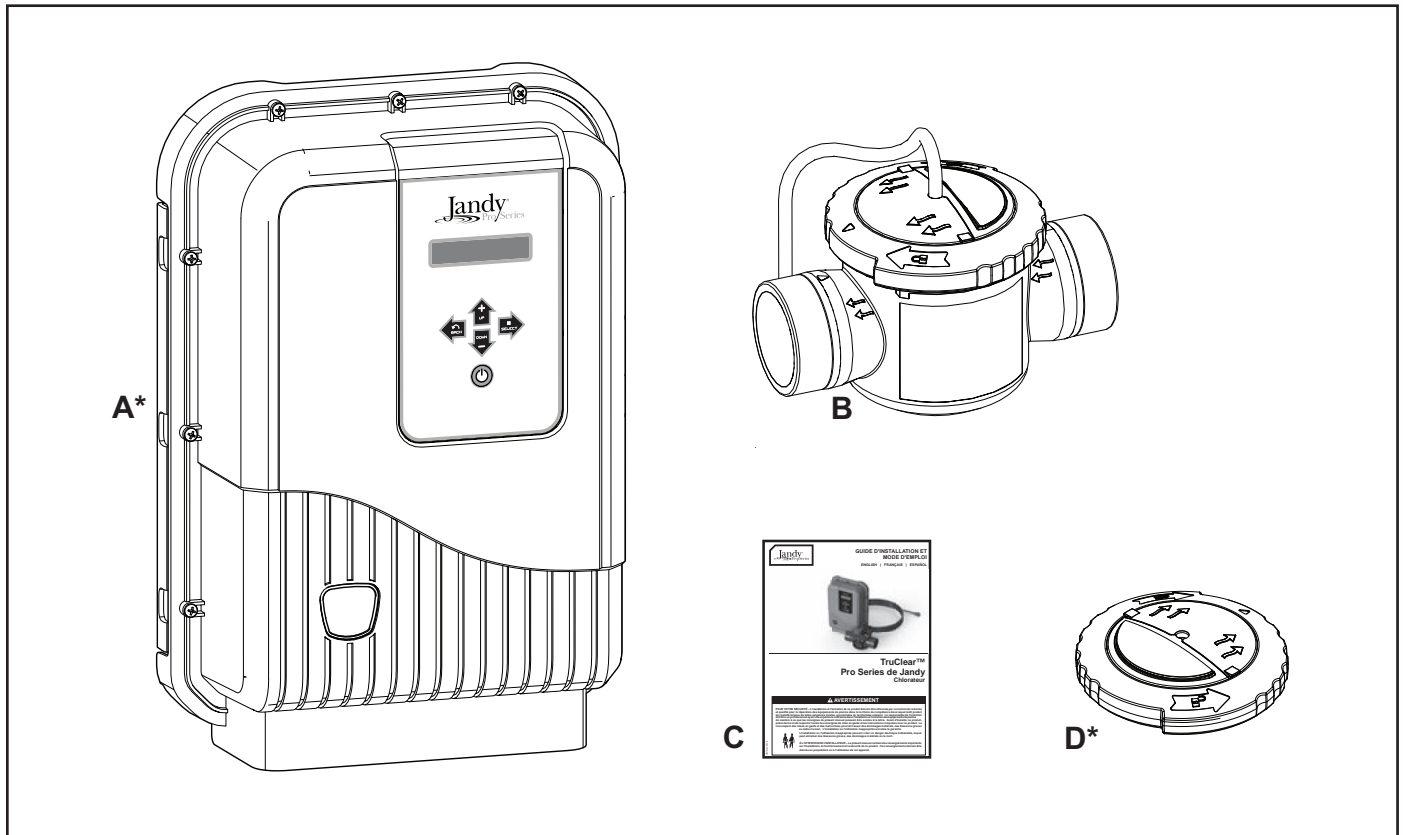


Illustration 2. Contenu de l'emballage

Articles inclus

ARTICLE	DESCRIPTION	QTÉ
A	Bloc d'alimentation	1
B	Cellule (l'article montré est la cellule standard. Une version avec les syndicats est une option disponible.)	1
C	Manuel d'installation et mode d'emploi	1

* Articles vendus séparément

ITEM	DESCRIPTION	Part #	
D	Bouchon De Préparation Pour L'hiver	R0621900	Truclear Cellule
pas montré	Assemblée De Cellulaire Seulement (Pas De Boîtier)	R0693900	
pas montré	Seulement Avec Les Syndicats De Boîtier (Pas De Cellules)	R0694000	
pas montré	Joint Torique	R0694100	
A	Bloc D'alimentation	R0663700	Bloc D'alimentation
pas montré	L'assemblage De Couvercle Avec Une Interface Utilisateur	R0663800	
pas montré	Assemblage De Circuits Imprimés	R0663900	

Section 3. Directives d'installation

⚠ AVERTISSEMENT

POUR VOTRE SÉCURITÉ : Le présent produit doit être installé et entretenu par un technicien professionnel, spécialisé dans l'installation et l'entretien de piscines et de spas, tel qu'il est indiqué à la page couverture du présent manuel. Les consignes de ce manuel doivent être suivies à la lettre. Toute infraction aux consignes de sécurité et d'emploi pourrait entraîner des dommages matériels, des blessures graves ou même la mort. L'installation ou l'utilisation inappropriée annulera la garantie.

⚠ AVERTISSEMENT

ÉQUIPEMENT SOUS PRESSION : Toujours éteindre la pompe avant d'installer ou d'entretenir le chlorateur Pro Series de Jandy. La pompe et le filtre opèrent sous pression et il doit y avoir une détente de cette pression avant de commencer le travail. Consulter le manuel d'utilisateur de votre pompe/filtre pour obtenir plus de consignes.

Avant d'effectuer ces tâches, couper l'alimentation au disjoncteur principal pour éviter le risque de décharge électrique pouvant entraîner des dommages matériels, des blessures graves ou la mort.

Avant de commencer l'installation, veuillez vous assurer que vous avez les bons outils et un emplacement approprié pour l'installation du bloc d'alimentation et de la cellule. Veuillez vous assurer d'avoir lu et compris la section Consignes de sécurité importantes.

3.1 Matériaux et outils

Outils nécessaires pour l'installation

- Ensemble de vis (ancrages muraux)
- Perceuse sans fil (ou perceuse électrique)
- Mèche pour maçonnerie ou mèche pour marteau perforateur de 6 mm (15/64 po)
- Crayon ou marqueur
- Tournevis à pointe cruciforme ou mèche à pointe cruciforme
- Colle à solvant pour PVC-C 724™ de WELD-ON® recommandée

3.2 Exigences en matière d'installation

⚠ AVERTISSEMENT

Le chlorateur Pro Series de Jandy doit être installé à l'horizontale avec le cordon sur le dessus pour éviter une accumulation de gaz inflammables pouvant provoquer un INCENDIE ou une EXPLOSION.

Les exigences d'installation pour le chlorateur Pro Series de Jandy sont les suivantes :

- Le bloc d'alimentation doit être installé au moins à 1,5 m (5 pi) au-dessus du sol.
- Aux États-Unis, le bloc d'alimentation doit être installé au moins à 1,5 m (5 pi) de la paroi intérieure de la piscine ou du spa; au Canada, le bloc d'alimentation doit être installé au moins à 3 m (10 pi) de la paroi intérieure de votre piscine ou du spa.
- La cellule doit être installée sur un conduit à 0,4 m (16 po) en aval des réchauffeurs, des pompes et des filtres, en tant que la dernière pièce d'équipement de la tuyauterie de circulation juste en amont des raccords de retour de la piscine. (voir Illustration 3).
- La cellule doit être installée tout au plus à 4,6 m (15 pi) du bloc d'alimentation (voir Illustration 3).

- La cellule doit être installée à 25 cm (10 po) de tout raccord de 90°.



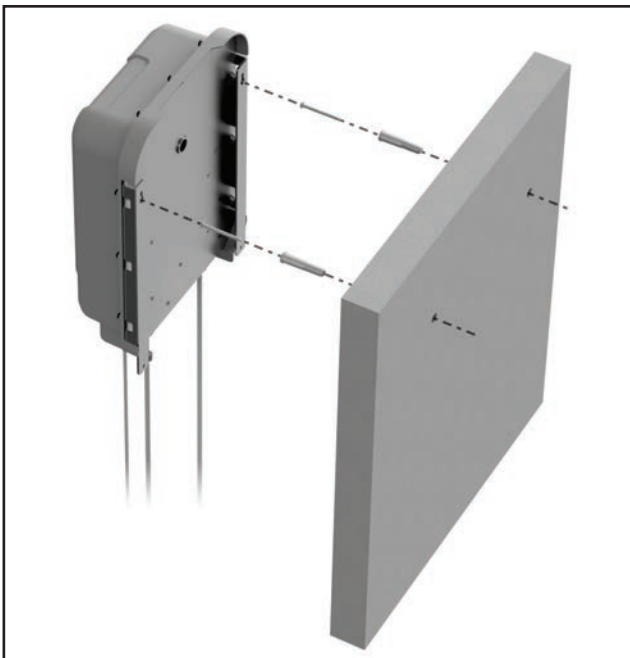
Illustration 3. Exigences d'installation

3.3 Installation du bloc d'alimentation

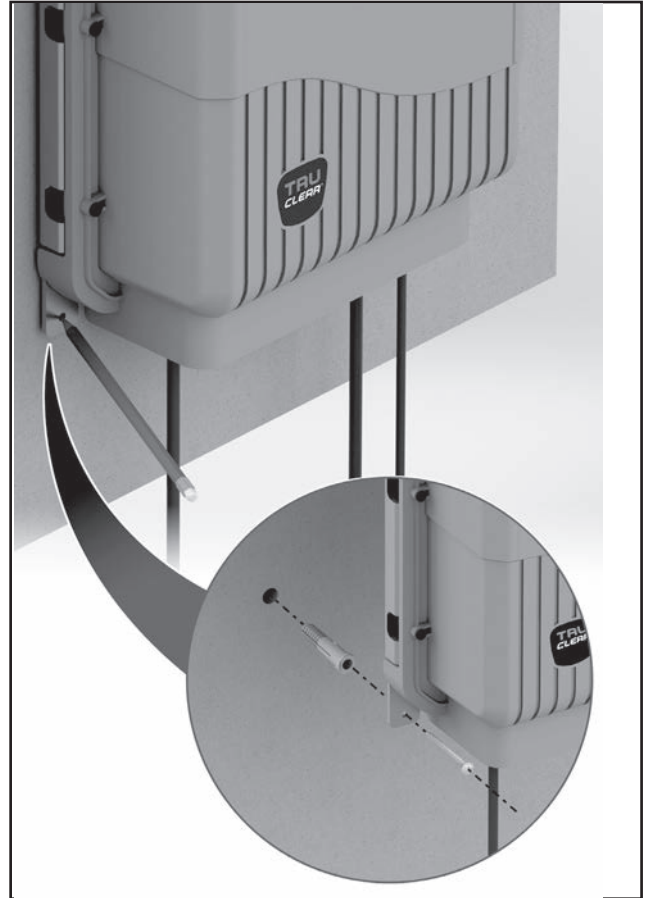
1. S'assurer que l'emplacement de la cellule et du bloc d'alimentation vont satisfaire à toutes les exigences énumérées à la Section 3.2.
2. Déterminer l'emplacement souhaité sur la paroi pour fixer le bloc d'alimentation.
3. Marquer et percer les deux premiers trous dans la paroi à l'aide du gabarit dans le Guide de démarrage rapide. La distance entre le centre des deux trous est de 25 cm (10 po). Utiliser un niveau et le gabarit pour localiser la position exacte des trous.



4. Insérer les vis dans les trous, puis suspendre le bloc d'alimentation depuis les deux trous supérieurs de la plaque arrière.



5. Avec le bloc d'alimentation en place, marquer la position des deux trous inférieurs.



6. Retirer le bloc d'alimentation, percer les deux trous inférieurs, puis positionner les ancrages de vis.
7. Fixer le bloc d'alimentation en le laissant pendre depuis les deux vis supérieures déjà en place, puis insérer les deux vis inférieures pour terminer l'installation.

⚠ AVERTISSEMENT

Pour éviter des dommages à la propriété, des blessures graves ou la mort, ne pas faire fonctionner la cellule électrolytique lorsque l'eau ne circule pas. Ceci peut causer une accumulation de gaz inflammables pouvant causer un INCENDIE ou une EXPLOSION. Le bloc d'alimentation doit être relié à la source d'alimentation du moteur de la pompe de piscine pour s'assurer que le chlorateur fonctionne uniquement lorsque la pompe est en marche.

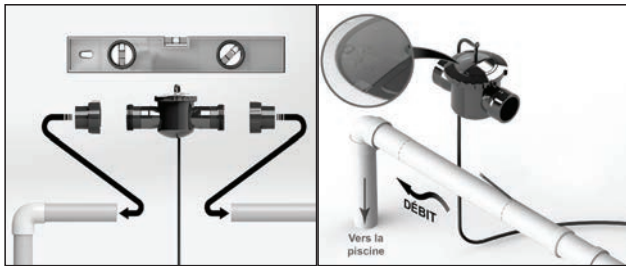
3.4 Installation de la cellule

Installation standard

L'installation standard comprend l'installation de la plomberie au boîtier de l'appareil TruClear directement dans celle de la piscine, sans raccords filetés.

- Déterminer l'emplacement souhaité pour la cellule comme la dernière pièce d'équipement en amont du retour d'eau de la piscine, sur un tronçon de conduite d'eau de moins 40 cm (16 po) de longueur. La cellule doit être fixée en position verticale sur une conduite parallèle au sol, avec $\pm 5^\circ$ de dénivellation. La cellule ne peut pas être fixée sur une conduite verticale ou oblique.

REMARQUE La cellule doit être installée sur une conduite horizontale d'une longueur de 40 cm (16 po) en aval des réchauffeurs, des pompes et des filtres, en tant que la dernière pièce d'équipement de la tuyauterie de circulation juste en amont de la piscine (voir Illustration 1).



- Effectuer les coupes appropriées dans la conduite où la cellule sera installée. L'écart entre les coupes doit être de 15 cm (6 po).

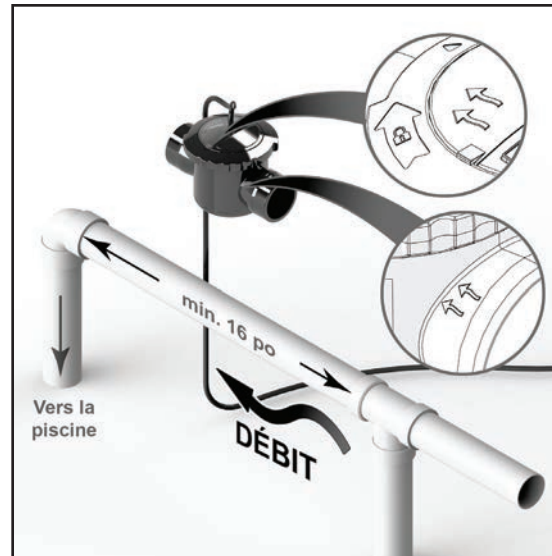


- Retirer la cellule du boîtier, puis raccorder le boîtier sur la conduite en s'assurant que les flèches de l'indicateur de débit sur ce dernier correspondent à

la direction de l'écoulement de l'eau. Les conduites doivent être propres et sèches avant d'y appliquer la colle.



REMARQUE Si la direction de l'écoulement de l'eau ne correspond pas aux flèches sur le boîtier, la cellule ne fonctionnera pas correctement.



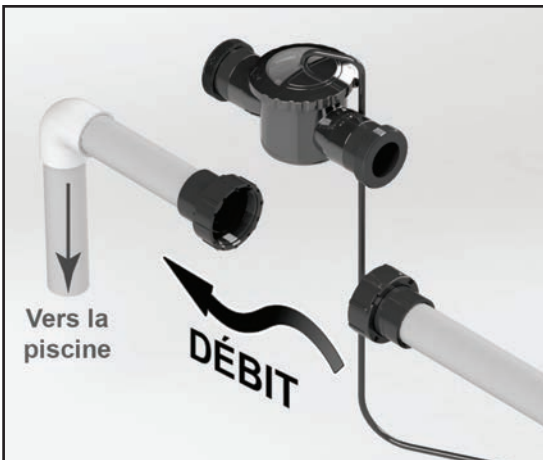
- Laisser le système sécher conformément aux consignes fournies par le fabricant de la colle. Lorsque la colle sera sèche, démarrer le système, puis vérifier le débit de l'eau.

Installation mise à niveau

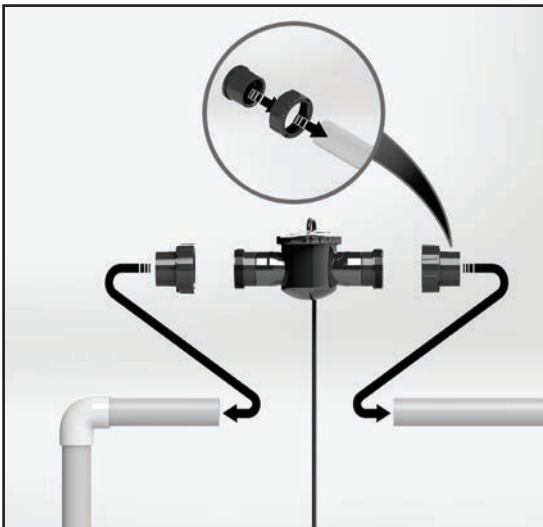
L'installation mise à niveau est un appareil TruClear conçu en usine avec des raccords filetés intégrés à son boîtier. Cette méthode peut être utilisée pour remplacer un chlorateur existant ou comme nouvelle installation.

- Déterminer l'emplacement souhaité pour la cellule comme la dernière pièce d'équipement en amont du retour vers la piscine. Elle doit être fixée verticalement à un angle de 90° sur une conduite horizontale. La cellule ne peut pas être fixée sur une conduite verticale ou oblique.

REMARQUE La cellule doit être installée sur une conduite d'une longueur de 40 cm (16 po) en aval des appareils de chauffage, des pompes et des filtres, en tant que la dernière pièce d'équipement de la tuyauterie de circulation juste en amont de la piscine (voir Illustration 1).



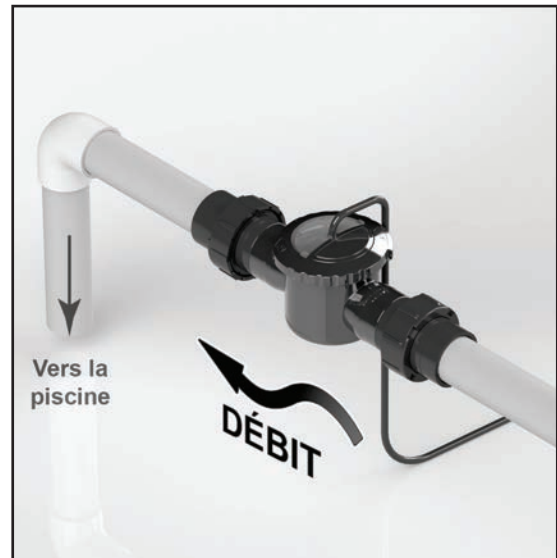
2. Retirer l'équipement existant et effectuer toutes les coupes appropriées dans la conduite où la cellule sera installée.



3. Retirer la cellule du boîtier, puis raccorder le boîtier sur la conduite en s'assurant que les flèches de l'indicateur de débit sur ce dernier correspondent à la direction de l'écoulement de l'eau. Les conduites doivent être propres et sèches avant d'y appliquer la colle.



REMARQUE Si la direction de l'écoulement de l'eau ne correspond pas aux flèches sur le boîtier, la cellule ne fonctionnera pas correctement.



4. Laisser le système sécher conformément aux consignes fournies par le fabricant de la colle. Lorsque la colle sera sèche, démarrer le système, puis vérifier le débit de l'eau.

3.5 Câblage du bloc d'alimentation à la source de courant

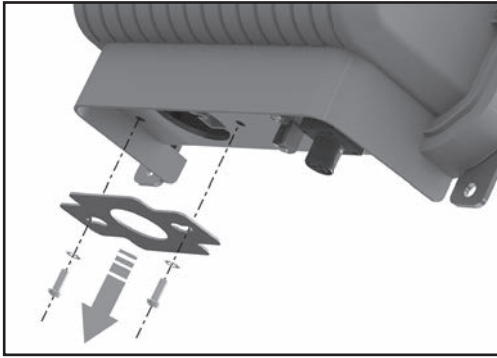
⚠ AVERTISSEMENT

Au moment de l'utilisation de produits électriques, des précautions de base doivent toujours être suivies, entre autres :

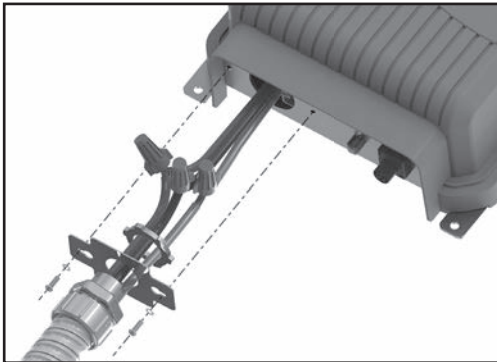
- **DANGER : RISQUE DE DÉCHARGE ÉLECTRIQUE POUVANT CAUSER DES BLESSURES GRAVES OU LA MORT.** Avant de tenter d'installer ou d'entretenir le matériel, s'assurer que l'alimentation électrique alimentant tout appareil a été débranchée ou éteinte au disjoncteur. Raccorder uniquement à un circuit protégé par un disjoncteur de fuite à la terre.
- Une mise à la terre est requise. L'appareil doit être installé par un représentant de service qualifié et doit être correctement mis à la terre (voir Section 3.6, Liaison électrique).
- Pour éviter des dommages matériels, des blessures graves ou la mort, ne jamais utiliser le panneau arrière du châssis du bloc d'alimentation pour mettre à la terre un autre équipement.
- Au moment de l'installation, laisser un espace d'accès pour l'entretien de l'appareil.
- Sélectionner un fil de champ aux dimensions appropriées, en fonction de la longueur du circuit et en conformité avec les normes d'installation en vigueur. **Le câblage doit être fait uniquement par un technicien qualifié.**

1. Connecter le bloc d'alimentation à la source de courant de la pompe de piscine en utilisant un fil isolé de 3,3 mm² (calibre 12) et un conduit. Câbler le bloc d'alimentation au côté CHARGE d'une pompe ou au côté CHARGE du relais de la minuterie de la pompe de la piscine de manière à ce que le chlorateur ne puisse démarrer que lorsque la pompe de la piscine démarre (voir Illustration 4).

- Retirer la plaque de raccordement électrique qui alimente le câble d'alimentation au bloc d'alimentation.



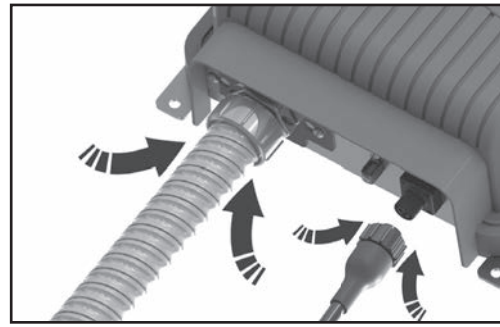
- Faire passer le câble d'alimentation par la plaque de raccordement.
- Raccorder le conduit à la plaque de raccordement.
- Effectuer les raccordements de fil. Remarque : Le fil vert doit être raccordé au point de mise à la terre.



⚠ AVERTISSEMENT

Sélectionner un fil de champ aux dimensions appropriées, en fonction de la longueur du circuit et en conformité avec le code d'installation en vigueur. Le conducteur de terre doit être au minimum de 12 AWG

- Positionner les fils et les câbles à l'intérieur du bloc d'alimentation, puis fixer solidement la plaque de raccordement électrique.



- Brancher la cellule dans le bloc d'alimentation.

3.6 Liaison électrique

Le National Electric Code® (NEC®) exige que tout l'équipement de piscine soit relié. Vérifier les codes locaux pour déterminer si les autorités compétentes font respecter le NEC et les codes d'installation locaux. Un fil massif en cuivre de 8,37 mm² (calibre 8) est recommandé par le NEC pour la liaison électrique du bloc d'alimentation à une liaison électrique permanente qui est acceptable pour les autorités compétentes locales. Se référer aux codes locaux afin de connaître l'épaisseur acceptable du fil de liaison électrique. Relier le point de mise à la terre situé sur la partie inférieure du panneau arrière du châssis à un point de liaison électrique commun. Ne pas utiliser le bloc d'alimentation comme point de liaison électrique commun. Chaque appareil de la piscine qui n'est pas relié et qui requiert une mise à la terre devra être relié au point de liaison électrique commun dans le respect des normes locales. Il faut effectuer une liaison électrique au bloc d'alimentation. Au Canada, le Code électrique canadien (CEC) stipule que le fil de liaison électrique doit être de calibre égal ou supérieur à 13,3 mm² (calibre 6).

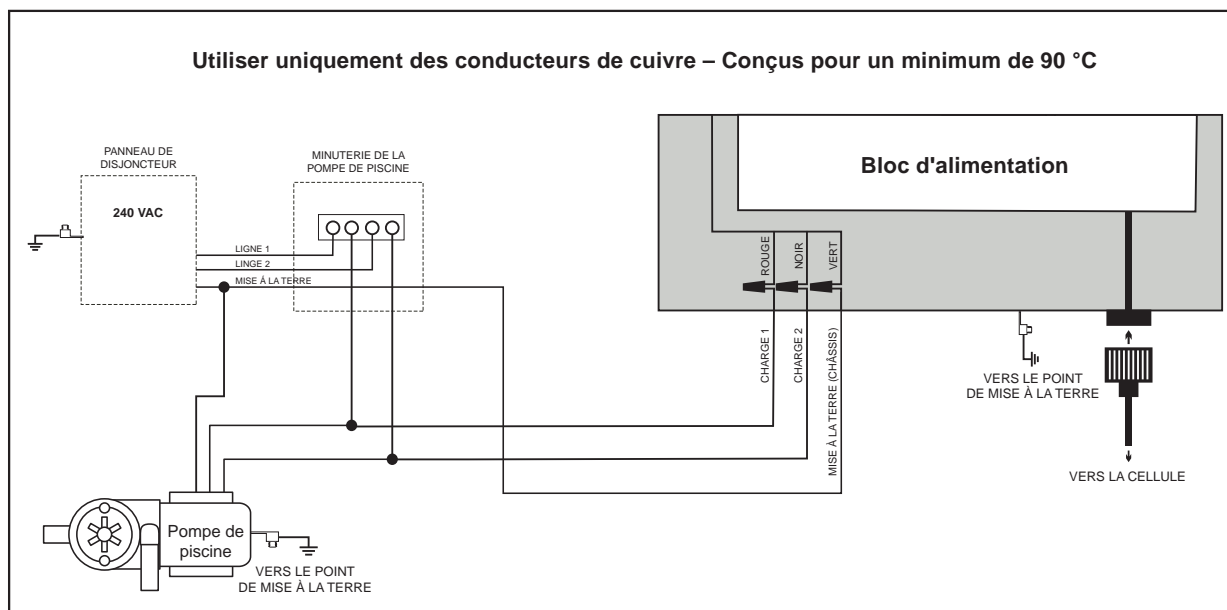


Illustration 4. Schéma de câblage

3.7 Consignes relatives à la tuyauterie de retour divisée : pour les systèmes de nettoyage au sol

Si le chlorateur est utilisé avec un système de nettoyage au sol, il doit être installé sur une conduite spécialisée pour éviter d'être endommagé.

REMARQUE Ne pas installer le chlorateur sur les systèmes au sol qui n'ont aucun retour spécialisé pour la piscine, tel qu'il est indiqué à l'illustration 5.

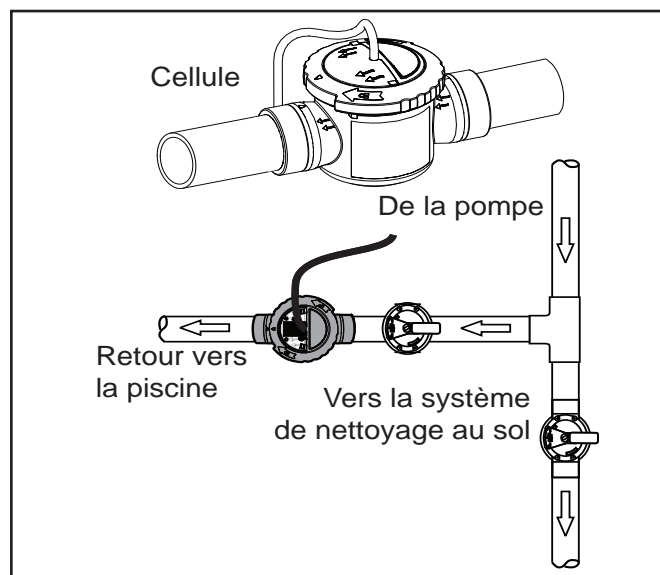


Illustration 5. Nouvelle tuyauterie pour les systèmes au sol de la piscine

Section 4. Préparation de l'eau de la piscine

4.1 Déterminer les dimensions de la piscine (litres)

- **Piscines rectangulaires**
Longueur (mètres) x largeur (mètres) x profondeur moyenne (mètres) x 1 000 = volume en litres.
- **Piscines circulaires**
Rayon (mètres) x rayon (mètres) x 3,14 x profondeur moyenne (mètres) x 1 000 = volume en litres.
- **Piscines ovales**
Court rayon (mètres) x long rayon (mètres) x 3,14 x profondeur moyenne (mètres) x 1 000 = volume en litres.

4.2 Déterminer les dimensions de la piscine (gallons américains)

- **Piscines rectangulaires**
Longueur (pieds) x largeur (pieds) x profondeur moyenne (pieds) x 7,5 = volume en gallons (américains).
- **Piscines circulaires**
Rayon (pieds) x rayons (pieds) x 3,14 x profondeur moyenne (pieds) x 7,5 = volume en gallons (américains).

- **Piscines ovales**

Long rayon (pieds) x court rayon (pieds) x 3,14 x profondeur moyenne (pieds) x 7,5 = volume en gallons (américains).

4.3 Notions élémentaires de chimie

- **Un stabilisateur de chlore** (acide cyanurique) est requis pour maintenir la concentration de chlore à des niveaux adéquats. Le chlore non stabilisé est détruit en grande partie par les rayons ultraviolets du soleil dans les 2 heures. Le stabilisateur de chlore doit être maintenu à une concentration de 30 à 50 ppm. L'ajout d'un stabilisateur de chlore n'est pas nécessaire dans les piscines intérieures.
- **Les nitrates** peuvent générer une consommation de chlore extrêmement élevée et faire baisser la concentration de chlore dans votre piscine. Dans certains cas, les nitrates peuvent même réduire la concentration de chlore à zéro. Un spécialiste en piscines de votre région peut tester l'eau pour détecter les nitrates. S'assurer qu'il n'y a aucun nitrate dans l'eau de votre piscine.
- **Les métaux** (certains métaux) peuvent faire baisser les concentrations de chlore et tacher votre piscine. Un spécialiste en piscines de votre région pourra faire un essai de détection des métaux et recommander des méthodes pour les éliminer.
- **L'eau de la piscine ne doit pas contenir de chloramines.** Lorsque des substances organiques se combinent avec du chlore libre, des chloramines se forment. Ceci emprisonne le chlore libre présent dans la piscine et empêche le chlore de désinfecter l'eau. Les chloramines rendent aussi l'eau trouble et brûlent les yeux. Effectuer un chloration-choc pour éliminer les chloramines avant la mise en service de la piscine.
- **La chloration-choc ou la surchloration** améliore la capacité du chlore à oxyder les déchets organiques en éliminant le chlore combiné (CC). Pour mesurer le chlore combiné (CC), soustraire le chlore libre (CL) du chlore total (CT). (CT - CL = CC). Pour déterminer la quantité de chlore nécessaire pour la chloration-choc (chlore à dissolution rapide) pour une chloration-choc appropriée de la piscine, calculer le point critique du chlore (PCC). Pour déterminer le point critique du chlore (PCC) nécessaire, multiplier le niveau de chlore combiné (CC) par 10. Puis, soustraire le niveau de chlore libre (CL). Voici la formule :
point critique du chlore (PCC) = ([CC x 10] - CL)
par exemple : si CL = 1,0 ppm, et si CC = 0,7 ppm, le PCC est de 6,0 ppm. formule : ([0,7 x 10] - 1,0) = 6,0
Votre spécialiste en piscines de votre région peut aider à effectuer ce calcul ou fournir une trousse d'analyses contenant ces informations. Le fonctionnement de l'appareil à plein régime pendant 24 heures permet également d'atteindre la chloration au point critique. Si la clarté de l'eau diminue

ou qu'il y a une présence d'algues persistante, le concessionnaire de piscines de votre région peut suggérer des mesures complémentaires pour assainir l'eau de la piscine et éliminer les chloramines.

REMARQUE Au démarrage initial d'une piscine, il est préférable d'effectuer la chloration-choc à l'aide d'une autre source, c.-à-d., utiliser un traitement-choc offert chez votre fournisseur de piscines.

L'équilibre approprié de l'eau est un facteur clé dans l'appréciation de la piscine ou du spa et l'assurance d'une longue durée de vie de la cellule.

- Le pH de l'eau de la piscine ou du spa permet de savoir si l'eau est acide ou si elle favorise la formation de tartre. L'eau froide est généralement plus acide, alors que l'eau chaude favorise la formation de tartre. La plage idéale du pH dans une piscine ou un spa est de 7,4 à 7,6, indépendamment de la température. Si le niveau de pH monte au-dessus de 7,6 et que le chlorateur fonctionne, le calcium dans l'eau peut recouvrir les plaques métalliques dans la cellule. Cela peut limiter l'écoulement d'eau et l'efficacité de la cellule, ce qui peut endommager la cellule. Si le niveau de pH descend en dessous de 7,4, l'eau devient plus acide et tente par conséquent de dissoudre les composants métalliques dans la tuyauterie de la piscine, ainsi que les plaques métalliques dans la cellule, qui sont une cible de choix. Il existe cinq facteurs qui influent sur le pH de l'eau : la température, le pH, l'alcalinité totale, la dureté calcique et les matières dissoutes totales (MDT). Chacun de ces facteurs joue un rôle dans la nature corrosive de l'eau ou la formation de tartre. Pour obtenir des informations complémentaires sur ce sujet, rechercher l'indice de saturation de Langelier.
- Matières dissoutes totales (MDT).** L'addition de sel à l'eau de la piscine augmente la teneur en MDT. Bien que l'ajout de sel pour faciliter l'action du chlorateur n'ait pas d'effet néfaste sur la composition chimique ou la limpidité de l'eau de la piscine, vous devrez en informer le spécialiste en piscines qui mesure les matières dissoutes totales. La personne qui mesure les matières dissoutes totales soustraira alors la teneur en sel pour obtenir le bon niveau de matières dissoutes totales.
- La nouvelle eau de piscine** dans une piscine récemment remplie ou remise à neuf peut contenir des matières indésirables qui peuvent gêner le bon fonctionnement du chlorateur pour eau salée. Faites analyser et équilibrer l'eau de la piscine par un spécialiste en piscines avant de faire fonctionner le chlorateur. Les nouvelles piscines en plâtre ont une demande constante en acide pendant six (6) mois. Faire plusieurs analyses et maintenir un niveau approprié de pH pour éviter la formation de tartre sur la cellule.

- Langelier indice de saturation** est une méthode standard pour déterminer le potentiel de votre eau de piscine pour être corrosif ou tartre. PH, alcalinité totale (TA), la température, la dureté calcique et solides dissous totaux (TDS) jouent un rôle dans le calcul de la note finale de saturation.

Indice de saturation = pH + AF + CF + TF - 12,1					
Facteur A = (AF), Facteur C = (CF), Facteur T = (TF)					
Alcalinité totale		Dureté calcique		Température	
Facteur A		Facteur C		Facteur T	
PPM	Valeur du facteur	PPM	Valeur du facteur	°F	Valeur du facteur
5	= 0,7	5	= 0,9	32	= 0,0
25	= 1,4	25	= 1,0	37	= 0,1
50	= 1,7	50	= 1,3	46	= 0,2
75	= 1,9	75	= 1,5	53	= 0,3
100	= 2,0	100	= 1,6	60	= 0,4
150	= 2,2	150	= 1,8	66	= 0,5
200	= 2,3	200	= 1,9	76	= 0,6
300	= 2,5	300	= 2,1	84	= 0,7
400	= 2,6	400	= 2,2	94	= 0,8
800	= 2,9	800	= 2,5	105	= 0,9
Un indice de saturation de 0 est parfaitement équilibré					
Un indice de saturation négatif a des tendances corrosives					
Un indice de saturation positif a des tendances d'entartrage					
Un indice de saturation de +0,3 ou -0,3 est préféré.					
*-12.1 doit être changé à -12.2 si Solides Totau Dissus (STD) sont mesurés à 1,000 ppm ou plus.					

REMARQUE Un « indice de saturation » acceptable se situe entre +0,5 et -0,5. Lorsqu'il s'agit d'une surface superficielle, l'indice doit être maintenu entre +0,3 et -0,3. Une valeur positive est plus acceptable qu'une valeur négative.

4.4 Conditions optimales pour l'eau de la piscine

Conformément aux normes de l'Association des professionnels de piscine et de spa (Association of Pool and Spa Professionals® – APSP®), nous recommandons de toujours maintenir la condition optimale de l'eau afin de protéger le fini et l'équipement de piscine et d'assurer la limpidité de l'eau. Le fonctionnement des produits Pro Series de Jandy est garanti uniquement si ces conditions sont remplies :

Chlore libre : un niveau idéal est entre 1,0 et 3,0 ppm.

Chlore combiné (chloramines) : aucun. Utiliser une chloration-choc (chlore à dissolution rapide pour supprimer toutes les chloramines).

pH : 7,4 à 7,6 (utilisation d'acide chlorhydrique pour abaisser le pH et de carbonate de sodium pour augmenter le pH).

Stabilisateur de chlore (acide cyanurique) : de 30 à 50 ppm (pour les piscines extérieures uniquement).

Alcalinité totale : de 80 à 120 ppm

Dureté calcique : de 200 à 400 ppm

Métaux (fer, manganèse) : aucun

Nitrates : aucun

Phosphates : aucun

Température : au-dessus de 16 °C (60 °F)

4.5 Prélèvement d'un échantillon d'eau

Pour prélever un échantillon d'eau à l'aide d'une trousse d'analyses à domicile ou pour le faire analyser par le concessionnaire de piscines de votre région, certaines bonnes pratiques sont recommandées.

Ne jamais utiliser de récipient en verre à proximité de la piscine.

Choisir un emplacement très éloigné des raccords de retour qui retournent l'eau à la piscine.

Prendre le récipient, le retourner à l'envers pour piéger l'air, puis le retourner à l'endroit à 46 cm (18 po) sous la surface de l'eau. Remonter le récipient à la surface, puis mettre le bouchon sur le récipient.

4.6 Sel (chlorure de sodium NaCl)

Moments auxquels il faut ajouter du sel

Ajouter du sel à la piscine si le niveau de sel est trop faible (voir Tableau 1).

Il est recommandé d'attendre au moins 30 jours avant d'ajouter du sel dans une nouvelle piscine en béton ou dans une piscine dont la surface a été refaite (la surface doit durcir complètement). Ne pas faire fonctionner le chlorateur à ce moment-ci. Chlorer la piscine manuellement. Communiquer avec le concessionnaire pour obtenir des recommandations. Suivre les consignes du fabricant de surface de la piscine pour votre modèle de piscine. Dans le cas des piscines en vinyle ou en fibre de verre, le sel peut être ajouté à la mise en service.

Type de sel à utiliser

- Plus le sel est pur, plus la durée de vie et la performance de la cellule électrolytique sont améliorées. Utiliser un sel composé à 99,8 % ou plus de NaCl. Le meilleur sel est un sel de table raffiné, granulé et non iodé. Consulter le concessionnaire de

piscines.

- Éviter d'utiliser du sel contenant des antimottants (ferrocyanure de sodium, également appelé prussiate jaune de sodium) qui pourraient décolorer les raccords et les surfaces finies de la piscine.
- Les pastilles de sel pour le traitement de l'eau sont composées de sel raffiné et comprimé. Elles sont autorisées, mais mettent plus de temps à se dissoudre.
- **Ne pas utiliser** de sel à base de chlorure de calcium. Utiliser uniquement du chlorure de sodium.
- **Ne pas utiliser** de sel gemme parce qu'il contient des impuretés insolubles qui peuvent raccourcir la durée de vie de l'appareil.

Quantité de sel utiliser

Utiliser des bandelettes pour tests de salinité, un compteur de salinité/matières dissoutes totales ou toute autre méthode sûre pour tester la salinité de l'eau de piscine. Une fois que le taux existant de salinité a été déterminé, utiliser le Tableau 1 pour déterminer la quantité de sel à ajouter pour atteindre le niveau souhaité. Il faut demeurer vigilant lors de l'ajout de sel – il est plus facile d'ajouter davantage de sel que de diluer s'il y en a trop.

- Une teneur en sel de 3 000 ppm est recommandée pour des conditions optimales.
- Une teneur en sel faible, inférieure à 2 500 ppm, provoquera l'usure prématurée de la cellule.
- Une teneur en sel élevée, supérieure à 6 000 ppm pourra corroder les équipements métalliques de la piscine.

MISE EN GARDE



Il est important de noter que certains matériaux utilisés dans les spas et les piscines ou à proximité de ceux-ci peuvent être incompatibles avec les produits chimiques habituellement utilisés pour purifier l'eau des spas ou des piscines (p. ex., les acides, le chlore, le sel, les stabilisants, etc.).

Zodiac Pool Systems, Inc. ne garantit pas que l'eau chlorée produite par le chlorateur Pro Series de Jandy n'endommagera ni ne détruira certains types de plante, de revêtement ou de margelle et autre matériau utilisés à l'intérieur ou à proximité d'une piscine ou d'un spa. Avant de sélectionner les matériaux qui seront utilisés à l'intérieur de votre piscine ou de votre spa ou à proximité de ceux-ci, veuillez discuter avec votre entrepreneur des options disponibles pour évaluer la compatibilité de tels matériaux avec les produits chimiques.

Quelques conseils utiles :

- Choisir des plantes qui supportent les éclaboussures d'eau de piscine contenant du chlore ou du sel et d'autres produits chimiques de purification.
- Toutes les pièces métalliques utilisées à l'intérieur ou à proximité de la piscine doivent être fabriquées en acier inoxydable de qualité supérieure.
- Sélectionner minutieusement les produits de maçonnerie. La porosité et la dureté des pierres naturelles varient grandement. Nous vous recommandons donc de discuter avec l'entrepreneur responsable des travaux de maçonnerie pour choisir la meilleure solution en ce qui concerne les pierres à utiliser autour de votre piscine ou de votre spa.
- Sceller tous les produits de maçonnerie. Les professionnels de l'industrie de la pierre précisent qu'il faut sceller même les pierres naturelles, surtout lorsqu'elles sont utilisées à l'extérieur, afin d'empêcher l'altération, le ternissement et une dégradation prématurée. Consulter l'entrepreneur responsable des travaux de maçonnerie ou de la construction de votre terrasse afin de sélectionner le scellant adéquat pour les produits de maçonnerie qui seront utilisés autour de votre piscine ou de votre spa.
- Pour obtenir les meilleurs résultats, des scellants doivent être appliqués régulièrement. Appliquer le scellant protecteur régulièrement, conformément aux instructions du fabricant.
- L'utilisation de produits chimiques autres que ceux recommandés peut être dangereuse. Suivre les directives des fabricants de produits chimiques.

Façon de verser le sel dans la piscine

1. Mettre sous tension la pompe pour faire circuler l'eau de la piscine.
2. **IMPORTANT** – Éteindre le bloc d'alimentation en maintenant enfoncé le bouton ON/OFF (marche/arrêt) pendant 6 secondes.
3. Tester la salinité de l'eau à l'aide des bandelettes pour tests de salinité, d'un compteur électronique ou du spécialiste en piscines de votre région.
4. Utiliser le Tableau 1 pour déterminer la quantité de sel à ajouter. Il faut demeurer vigilant lors de l'ajout de sel – il est plus facile d'ajouter davantage de sel que de diluer s'il y en a trop.
5. Diffuser le sel dans la piscine. Ne pas ajouter de sel par l'écumoire, le drain de fond ou la chambre d'équilibre. Épandre le sel autour de la piscine pour faciliter la dissolution. Faire fonctionner le système de filtrage pendant 24 heures pour assurer une distribution uniforme.
6. Après 48 à 72 heures, vérifier si la salinité de l'eau est appropriée à l'aide de bandelettes pour tests de salinité, d'un compteur électronique ou du spécialiste en piscines de votre région.
7. Lorsque le niveau de salinité est approprié, allumer le bloc d'alimentation. Appuyer sur les boutons  pour configurer le taux de production souhaité. 

REMARQUE Pour une nouvelle piscine ou une piscine avec un nouveau revêtement, attendre de préférence au moins 30 jours avant d'y ajouter du sel. Suivre les consignes du fabricant de surface pour votre modèle de piscine. Dans le cas des piscines en vinyle ou en fibre de verre, le sel peut être ajouté à la mise en service.

Tableau 1. Nombre approximatif de livres et de kilogrammes de stabilisant nécessaire pour obtenir 3,0 g/L (3 000 ppm)

Niveau actuel de sel ppm	Grandeur de la piscine/du spa – Litres (gallons américains)					
	38 000 L (10 000 gal)	57 000 L (15 000 gal)	76 000 L (20 000 gal)	95 000 L (25 000 gal)	114 000 L (30 000 gal)	132 000 L (35 000 gal)
0	114 kg (250 lb)	170 kg (376 lb)	227 kg (501 lb)	284 kg (626 lb)	341 kg (751 lb)	397 kg (876 lb)
250	104 kg (229 lb)	156 kg (344 lb)	208 kg (459 lb)	260 kg (574 lb)	312 kg (688 lb)	364 kg (803 lb)
500	95 kg (209 lb)	142 kg (313 lb)	189 kg (417 lb)	237 kg (522 lb)	284 kg (626 lb)	331 kg (730 lb)
750	85 kg (188 lb)	128 kg (282 lb)	170 kg (376 lb)	213 kg (469 lb)	256 kg (563 lb)	298 kg (657 lb)
1000	76 kg (167 lb)	114 kg (250 lb)	151 kg (334 lb)	189 kg (417 lb)	227 kg (501 lb)	265 kg (584 lb)
1250	66 kg (146 lb)	99 kg (219 lb)	132 kg (292 lb)	166 kg (365 lb)	199 kg (438 lb)	232 kg (511 lb)
1500	57 kg (125 lb)	85 kg (188 lb)	114 kg (250 lb)	142 kg (313 lb)	170 kg (376 lb)	199 kg (438 lb)
1750	47 kg (104 lb)	71 kg (156 lb)	95 kg (209 lb)	118 kg (261 lb)	142 kg (313 lb)	166 kg (365 lb)
2000	38 kg (83 lb)	57 kg (125 lb)	76 kg (167 lb)	95 kg (209 lb)	114 kg (250 lb)	132 kg (292 lb)
2250	28 kg (63 lb)	43 kg (94 lb)	57 kg (125 lb)	71 kg (156 lb)	85 kg (188 lb)	99 kg (219 lb)
2500	19 kg (42 lb)	28 kg (63 lb)	38 kg (83 lb)	47 kg (104 lb)	57 kg (125 lb)	66 kg (146 lb)
2750	9 kg (21 lb)	14 kg (31 lb)	19 kg (42 lb)	24 kg (52 lb)	28 kg (63 lb)	33 kg (73 lb)
3000	Optimal	Optimal	Optimal	Optimal	Optimal	Optimal

Tableau 2. Nombre approximatif de livres et de kilogrammes de stabilisant nécessaire pour obtenir une concentration de 50 ppm

Niveau actuel de l'acide cyanurique – ppm	Grandeur de la piscine/du spa en gallons américains (litres)					
	38 000 L (10 000 gal)	57 000 L (15 000 gal)	76 000 L (20 000 gal)	95 000 L (25 000 gal)	114 000 L (30 000 gal)	132 000 L (35 000 gal)
0	1,9 kg (4,2 lb)	2,9 kg (6,3 lb)	3,8 kg (8,4 lb)	4,8 kg (10,5 lb)	5,7 kg (12,6 lb)	6,7 kg (14,8 lb)
10	1,5 kg (3,4 lb)	2,3 kg (5,1 lb)	3,1 kg (6,7 lb)	3,8 kg (8,4 lb)	4,6 kg (10,1 lb)	5,4 kg (11,8 lb)
20	1,1 kg (2,5 lb)	1,7 kg (3,8 lb)	2,3 kg (5,1 lb)	2,9 kg (6,3 lb)	3,4 kg (7,6 lb)	4,0 kg (8,9 lb)
30	0,8 kg (1,7 lb)	1,2 kg (2,5 lb)	1,5 kg (3,4 lb)	1,9 kg (4,2 lb)	2,3 kg (5,1 lb)	2,7 kg (5,9 lb)
40	0,4 kg (0,8 lb)	0,6 kg (1,3 lb)	0,8 kg (1,7 lb)	1,0 kg (2,1 lb)	1,2 kg (2,5 lb)	1,3 kg (3,0 lb)


REMARQUE L'ajout d'un stabilisateur de chlore ne s'avère pas nécessaire dans une piscine intérieure.

Section 5. Consignes d'utilisation

⚠ AVERTISSEMENT

Pour éviter des dommages à la propriété, des blessures graves ou la mort, ne pas faire fonctionner la cellule électrolytique lorsque l'eau ne circule pas. Ceci peut causer une accumulation de gaz inflammables pouvant causer un INCENDIE ou une EXPLOSION. Le bloc d'alimentation doit être relié à la source d'alimentation du moteur de la pompe de piscine pour s'assurer que le chlorateur fonctionne uniquement lorsque la pompe est en marche.

5.1 Panneau de commande



Cela contrôle le mode de fonctionnement du chlorateur entre le mode automatique et le mode veille.

- En mode automatique, le système produit le chlore lorsqu'il est sous tension et lorsqu'il détecte le débit par la cellule.
- En mode veille, le système ne produit AUCUN chlore, même lorsque la pompe est en marche et que le système détecte le débit par la cellule.

En mode de fonctionnement normal, les flèches haut et bas sont utilisées pour définir le niveau de production du chlorateur. La production doit être ajustée afin d'atteindre le niveau de chlore libre disponible idéal situé entre 2 et 4 ppm.

Le bouton back/save (retourner/enregistrer) permet d'enregistrer toute modification apportée depuis le menu et de retourner à l'écran de menu précédent.

Le bouton select (sélectionner) permet de faire défiler et d'ouvrir tous les paramètres disponibles pour modification.

Illustration 7. Panneau de commande du bloc d'alimentation

5.2 Allumer et éteindre le bloc d'alimentation (manuellement)

Pour allumer ou éteindre le chlorateur Pro Series de

Jandy, appuyer sur le bouton. 

Un appui rapide placera le chlorateur en mode « veille ». En mode « veille », un appui rapide le retournera en mode « chloration ». Un appui maintenu pendant 6 secondes l'éteindra complètement.

REMARQUE Comme le bloc d'alimentation est raccordé à la source d'alimentation de la pompe, le bloc d'alimentation peut être allumé uniquement lorsque la pompe est allumée.

5.3 Allumer et éteindre le bloc d'alimentation (à l'aide de la minuterie externe de la pompe)

Si le bloc d'alimentation est raccordé à la minuterie extérieure de la pompe et que le bloc d'alimentation est sous tension, le bloc d'alimentation s'allumera et s'éteindra automatiquement lorsque la pompe est allumée ou éteinte (voir Section 3.5). Lorsque le bloc d'alimentation est connecté de cette façon, le seul réglage qui doit être effectué manuellement est le niveau de la production du chlore (voir Section 5.4).

5.4 Réglage du niveau de production du chlore

Pour régler le niveau de production de chlore, les facteurs à considérer sont :

- le nombre de gallons dans la piscine
- le nombre de baigneurs (charge de baigneurs)
- la quantité de pollen et de poussière qui vont dans l'eau
- le nombre d'heures de fonctionnement de la pompe
- l'utilisation d'une pompe à vitesse unique ou variable
- le climat et la température de l'eau
- la quantité d'eau de pluie entrant dans la piscine.

Un bon point de départ pour les piscines de 15 K gallons et moins doit être de 40 %. Les piscines plus près de 25 K à 30 K gallons doivent utiliser 60 % comme point de départ.



Si ces niveaux ne fournissent pas entre 1 et 3 ppm de chlore résiduel souhaité, il faut alors augmenter le niveau de production pour compenser.

Si le niveau de production se rapproche de 90 % à 100 % et que l'analyse de l'eau de la piscine n'indique qu'une très faible teneur en chlore résiduel, la piscine peut nécessiter une chloration-choc manuelle en raison d'une charge de déchets qui s'est accumulée dans l'eau de la piscine, créant ainsi une charge trop importante pour le chlore fourni à la piscine. Une autre cause peut être le manque d'acide cyanurique (ACY) à un niveau approprié pour protéger le chlore contre les rayons UV du soleil.


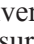

REMARQUE L'appareil ne fonctionne que si la pompe est en marche. Un fonctionnement de pompe plus long injectera davantage de chlore dans l'eau.




En fonction de toutes les variables susmentionnées, cela pourrait prendre jusqu'à deux semaines avant d'atteindre un taux de production approprié dans la piscine.

Pour ajuster le niveau de la production, suivre ces étapes :

1. Éteindre le bloc d'alimentation en appuyant sur le bouton. 
2. Appuyer sur les boutons  pour atteindre le niveau de production souhaité. Le paramètre minimum est de 10 %. La production peut être réglée en paliers de 10 %, jusqu'à 100 %. Cela contrôle le temps de fonctionnement de la cellule.

5.5 Mode BOOST/LOW (surplus/faible)

Le mode BOOST (surplus) peut être utilisé pour maximiser la production de chlore pendant une courte période de temps. Pour activer le mode BOOST (surplus), appuyer simultanément sur les boutons  et . Le mode BOOST (surplus) se désactivera après 24 heures. Pour désactiver le mode BOOST (surplus), appuyer sur le bouton .

Le mode LOW (faible) peut être utilisé pour minimiser la production de chlore lorsqu'elle est en cours. Pour activer le mode LOW (faible), appuyer simultanément sur les boutons  et . Le mode LOW (faible) demeurera activé indéfiniment. Pour désactiver le mode LOW (faible), appuyer sur le bouton .

5.6 Inversion de la polarité

Le chlorateur Pro Series de Jandy est une cellule à polarité inversible, ce qui signifie qu'après cinq (5) heures de fonctionnement, la cellule inverse la polarité pour éviter l'accumulation de calcium sur les plaques de la cellule. C'est ce qu'on appelle parfois la fonction d'autonettoyage de la cellule. Pendant la période de transition, lorsque la cellule inverse la polarité, il y a un délai d'attente de cinq (5) minutes pendant lequel la cellule ne produit aucun chlore. Une fois la polarité inversée, la cellule continue à produire du chlore.

REMARQUE CLEANING (nettoyage) sera affiché à l'écran pendant les cinq (5) minutes de la période WAIT (attente). L'indicateur de niveau de production ne changera pas pendant le nettoyage.

5.7 Pile de secours

Le bloc d'alimentation est muni d'une pile de secours. Si la pile perd sa charge, le microprocesseur de l'appareil conservera les configurations suivantes de façon permanente :

- Heures de fonctionnement
- Heures de fonctionnement de la cellule
- Réglage du dispositif de commande

Section 6. Instructions d'entretien

Avant d'effectuer l'entretien du chlorateur Pro Series de Jandy, veuillez vous assurer d'avoir lu et compris la section Consignes de sécurité importantes.

IMPORTANT Toujours analyser le niveau de chlore de la piscine avant chaque utilisation. Au cours d'une période d'utilisation intensive, comme lorsque trois personnes ou plus se baignent, une charge de baigneurs supplémentaire peut rapidement épuiser le chlore et nécessiter un ajout pour maintenir le chlore libre à un niveau approprié. Assurer une surveillance étroite du chlore et prendre les mesures appropriées pour maintenir le niveau de chlore libre résiduel entre 1 et 3 ppm, tel qu'il est recommandé.

6.1 Entretien hebdomadaire

1. **Analyse du chlore.** Utiliser une trousse d'analyse fiable pour vérifier la concentration du chlore dans l'eau de la piscine. Maintenir une plage idéale en ajustant le niveau de production de chlore sur le bloc d'alimentation (voir Section 5.4) ou, le cas échéant, en ajoutant du chlore sec ou liquide au chlorateur. Le niveau de chlore libre recommandé se situe entre 1 et 3 ppm. Voir la Section 4.5 pour obtenir les consignes sur le prélèvement d'un échantillon d'eau.

REMARQUE Ne jamais utiliser de récipient en verre à proximité de la piscine. Choisir un emplacement très éloigné des raccords de retour qui retournent l'eau à la piscine.

2. **Analyse du niveau de pH.** Analyser le niveau de pH de l'eau de votre piscine avec une trousse d'analyse du pH. Si nécessaire, faire des ajustements pour maintenir un pH entre 7,4 et 7,6 (voir Section 4.3).

MISE EN GARDE

Ne jamais utiliser un acide sec pour calibrer le pH dans les régions géographiques arides où l'évaporation est excessive et la dilution de l'eau de la piscine avec de l'eau fraîche est minimale. Une accumulation de produits inutiles peut endommager la cellule électrolytique.

3. **Analyse de l'alcalinité totale.** Analyser l'alcalinité totale de l'eau de votre piscine avec une trousse d'analyse. Prendre les mesures nécessaires pour maintenir une alcalinité entre 80 et 120 ppm (voir Section 4.3).
4. **Dureté calcique.** Analyser le niveau de dureté calcique de l'eau de votre piscine avec une trousse d'analyse ou faire examiner un échantillon de l'eau de votre piscine par un professionnel. Faire les ajustements requis pour maintenir le niveau de dureté calcique entre 175 et 400 ppm (voir Section 4.3).

6.2 Entretien mensuel

1. **Vérifier la cellule.** De préférence, inspecter la cellule tous les mois pour y déceler la présence de tartre ou de dépôts de calcaire. Des dépôts croûteux et légèrement colorés connus sous le nom de tartre se forment dans une eau excessivement dure ou une eau de piscine qui n'est pas au niveau de pH approprié. Après l'installation du chlorateur Pro Series de Jandy, vérifier la cellule chaque mois pour y déceler la présence de tartre. Tenir les plaques sous une source lumineuse afin que la lumière puisse être visible entre celles-ci. Si la lumière est facilement visible à travers les plaques ou qu'une faible quantité de tartre est décelée, la cellule n'a pas à être nettoyée. Réinstaller.

Par contre, si la lumière est peu visible à travers les plaques ou que la lumière est totalement bloquée par le tartre, la cellule doit être nettoyée. Voir les instructions à la Section 6.3.

Le nettoyage excessif peut raccourcir la durée de vie de la cellule.

2. **Analyse du niveau de salinité.** Utiliser des bandelettes pour tests de salinité, un compteur de salinité/matières dissoutes totales ou toute autre méthode sûre pour tester la salinité de l'eau de piscine. Une fois que le taux existant de salinité a été déterminé, utiliser le Tableau 1 pour déterminer la quantité de sel à ajouter pour atteindre le niveau souhaité. Il faut demeurer vigilant lors de l'ajout de sel – il est plus facile d'ajouter davantage de sel que de diluer s'il y en a trop. Si le niveau de salinité de la piscine est approprié et que l'indicateur DEL de sel ne s'éteint pas, voir Section 7. Dépannage
3. **Échantillon d'eau de piscine.** Apporter un échantillon d'eau à un magasin de piscine de votre région pour effectuer l'analyse.
4. **Stabilisateur (acide cyanurique).** Analyser le niveau du stabilisateur de l'eau de la piscine (niveau de l'acide cyanurique) en utilisant une trousse d'analyse ou en faisant analyser un échantillon d'eau par un spécialiste en piscines. Conserver un niveau recommandé de 30 à 50 ppm. Suivre les recommandations de votre spécialiste en piscines. L'ajout d'un stabilisateur de chlore n'est pas nécessaire dans les piscines intérieures.
5. **Analyse de métaux.** Il est recommandé d'analyser périodiquement la présence de métaux, comme le fer et le manganèse, dans l'eau de la piscine. Ces métaux ne doivent pas être présents dans l'eau de la piscine. Si ces métaux sont présents dans l'eau de votre piscine, communiquer avec un spécialiste en piscines de votre région.

6.3 Nettoyage de la cellule

⚠ MISE EN GARDE

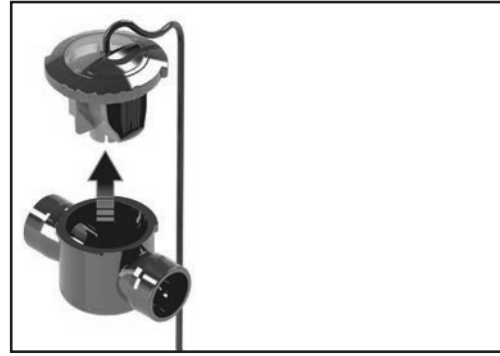
Avant d'effectuer ces tâches, couper l'alimentation au disjoncteur principal pour éviter le risque de décharge électrique pouvant entraîner des dommages matériels, des blessures graves ou la mort.

Si la cellule a tendance à s'entarter, il est recommandé de l'enlever et d'examiner la formation de tartre ou de débris mensuellement. Certains filtres laissent passer des débris par la cellule, qui peuvent se loger entre les plaques de la cellule. Une légère formation de tartre est normale. Si, en regardant à travers la cellule, vous voyez une formation de tartre excessive entre les plaques ou des débris, nettoyez la cellule comme suit :

1. S'assurer que l'alimentation vers le bloc d'alimentation et le régulateur a été coupée ou éteinte au disjoncteur.
2. Avant de retirer la cellule pour le nettoyage, fermer toutes les soupapes non nécessaires pour prévenir des pertes d'eau.
3. Ouvrir la soupape de décharge d'air pour relâcher la

pression dans le circuit de la piscine.

4. Desserrer la bague, puis retirer la cellule.



5. Porter des lunettes de protection et des gants pour ajouter une (1) partie d'acide chlorhydrique à dix (10) parties d'eau, puis mélanger.

⚠ MISE EN GARDE

- Lors du nettoyage de la cellule, porter des lunettes et des gants de protection.
- Au moment de mélanger de l'acide à de l'eau, **TOUJOURS AJOUTER L'ACIDE À L'EAU. NE JAMAIS AJOUTER L'EAU À L'ACIDE.**
- Ne jamais diluer l'acide chlorhydrique. Toujours utiliser le mélange recommandé d'acide chlorhydrique et d'eau.

6. Immerger la cellule dans la solution de nettoyage tout en maintenant la bague de verrouillage et le câble hors de la solution de nettoyage.



7. Une mousse commencera à se former, provoquée par la dissolution du tartre (carbonate de calcium) accumulé sur les plaques. Si aucune mousse ne se forme, la cellule n'a pas à être nettoyée (INTERROMPRE LE PROCESSUS DE NETTOYAGE – passer à l'étape 10). Autrement, laisser la cellule reposer dans la solution jusqu'à ce qu'il n'y ait plus de mousse (environ 5 à 10 minutes).

REMARQUE Ne pas utiliser de tournevis ou tout autre objet métallique pour enlever les dépôts de calcium.

8. Rincer la cellule à l'eau fraîche, puis effectuer une nouvelle inspection. Si une forte accumulation est toujours présente, immerger à nouveau les plaques dans la solution de nettoyage, rincer, puis effectuer une nouvelle inspection.
9. Après le nettoyage de la cellule, éliminer la solution conformément à la réglementation locale.
10. Rincer la cellule abondamment avec de l'eau du robinet et inspecter. Si les dépôts sont encore visibles sur la cellule électrolytique, répéter l'étape 6.

REMARQUE Un nettoyage excessif à l'eau acide endommagera la cellule électrolytique. **Ne pas laisser dans l'acide pendant plus de 30 minutes.**

10. Si la cellule est propre, la replacer comme indiqué à la Section 3.4.

6.4 Préparation pour l'hiver

REMARQUE Ne pas utiliser d'éthylène glycol (antigel) dans le système.

Une très faible quantité de chlore est nécessaire dans l'eau froide. Le fonctionnement du chlorateur en dessous de 55 °C (13 °F) n'est pas recommandé.

Le fonctionnement du chlorateur en eau froide peut diminuer considérablement la durée de vie de la cellule. Si des mesures de prévention ne sont pas prises, l'eau près du point de congélation peut causer des dommages importants à la cellule. Prévenir l'endommagement de la cellule dû au froid en faisant fonctionner la pompe continuellement ou en préparant la piscine pour l'hiver en drainant l'eau par la pompe et le filtre, ainsi que toutes les prises et les conduites de retour. Retirer la cellule, la nettoyer et l'entreposer à l'intérieur.

Un bouchon de préparation pour l'hiver (R0621900) peut être acheté afin de remplacer la cellule pendant l'hiver ou l'entretien de la cellule. Cela permettra à la pompe de la piscine de faire circuler l'eau sans la cellule.

Pendant les périodes prolongées au cours desquelles la température de l'eau est inférieure à 13 °C (55 °F), l'appareil doit être éteint et un flotteur au chlore ou un distributeur de produits chimiques doit être utilisé. Il suffit d'y déposer un petit nombre de comprimés jusqu'à ce que la température de l'eau augmente. Cela vous permet de prolonger la durée de vie de la cellule et d'assurer une meilleure performance lorsque les conditions de l'eau sont plus optimales.

Section 7. Dépannage

AVERTISSEMENT

Toujours éteindre la pompe avant d'effectuer l'entretien ou la réparation. Votre pompe et votre filtre fonctionnent sous pression et il doit y avoir une détente de cette pression avant de commencer le travail afin d'éviter des dommages au système ou des dommages corporels. Ouvrir la soupape de décharge d'air de votre filtre de piscine pour libérer la pression dans le système.

7.1 Problèmes et mesures correctives

Problème	Cause possible	Mesure corrective
Manque ou absence de chlore.	Niveau de stabilisateur faible (acide cyanurique) dans l'eau de la piscine (pour piscine extérieure uniquement).	Ajouter le stabilisateur pour maintenir une concentration entre 30 et 50 ppm (voir Tableau 2).
	Heures de fonctionnement de l'appareil inadéquates.	Augmenter la durée quotidienne du fonctionnement du système.
	Production du chlore réglée à un niveau trop faible.	Augmenter le taux de production de chlore en appuyant sur le bouton Output (production) (voir Section 5.4).
	Perte temporaire du chlore attribuable aux lourdes charges organiques : pluie, feuilles, engrais ou nombre élevé de nageurs. Animaux domestiques utilisant la piscine.	Régler la production de chlore à 100 % et faire fonctionner la pompe et la cellule pendant 24 heures. Après 24 heures, revérifier le niveau du chlore. Si le niveau est toujours trop faible, surchlorer à l'aide d'une autre source pour atteindre une chloration au point critique. Le concessionnaire de piscines de votre région peut vous aider si un échantillon d'eau lui est apporté.
	Faible niveau de sel (inférieur à 3 000 ppm) dans l'eau de la piscine.	Utiliser des bandelettes pour tests de salinité, un compteur de salinité/matières dissoutes totales ou toute autre méthode sûre pour tester la salinité de l'eau de piscine. Une fois que le taux existant de salinité a été déterminé, utiliser le Tableau 1 pour déterminer la quantité de sel à ajouter pour atteindre le niveau souhaité. Maintenir un niveau de salinité de 3 000 ppm.
	Teneur élevée en nitrates.	Communiquer avec un spécialiste en piscines.
	Métaux présents dans l'eau de la piscine.	Communiquer avec un spécialiste en piscines.
	Nouvelle eau de piscine. Chloration-choc initiale inadéquate.	Surchlorer la piscine.
	Cellule bouchée ou sale.	Retirer la cellule pour l'inspecter et nettoyer si nécessaire (voir Section 6.3).

Problème	Cause possible	Mesure corrective
Teneur en chlore trop élevée. (au-dessus de 7,0 ppm)	Production du chlore réglée à un niveau trop élevé.	Diminuer le taux de production de chlore à l'aide du bouton Output (production) (voir Section 5.4).
	Le bloc d'alimentation et la cellule sont demeurés allumés trop long temps.	Si la production de chlore est réglée au minimum et que le niveau de chlore est régulièrement trop élevé, diminuer la durée de fonctionnement quotidien au besoin.
Rien n'est affiché à l'écran ACL (l'écran est vide).	Aucune alimentation au système.	Vérifier le raccordement à la minuterie de la pompe (voir Section 3.5). Vérifier si le disjoncteur de fuite à la terre est déclenché.
L'affichage indique « No Flow » (aucun débit). Causé par un débit d'eau insuffisant dans la cellule. REMARQUE Lorsque l'indicateur de débit est allumé, la production de chlore est interrompue.	L'affichage indique « No Flow » (aucun débit). Causé par un débit d'eau insuffisant dans la cellule. REMARQUE Lorsque l'indicateur de débit est allumé, la production de chlore est interrompue.	Vérifier et nettoyer les cuves de la pompe et de l'écumoire.
	Filtre sale.	Nettoyer le filtre.
	Soupapes fermées.	Vérifier et corriger tous les alignements des soupapes.
	La pompe ne fournit pas suffisamment de débit d'eau.	Vérifier le fonctionnement de la pompe. S'assurer que la pompe offre la puissance appropriée pour le débit requis.
L'affichage indique « Lo Tmp/Lo Salt » (basse température/faible teneur en sel). REMARQUE Les lectures de salinité sont prises à la mise sous tension et au moment de l'inversion de la polarité. L'indicateur concernant le sel s'allume lorsque le niveau de sel est bien en deçà de 2 500 ppm. Il demeurera allumé jusqu'à ce que le niveau de sel atteigne 3 000 ppm ou légèrement plus.	Le niveau de sel est bien en deçà de 2 500 ppm, en fonction de la température de l'eau. Accumulation de calcium dans la cellule.	Maintenir un niveau de salinité entre 3 000 ppm et 3 500 ppm (voir Section 4.6 ou communiquer avec un spécialiste en piscines de votre région). Nettoyer la cellule.
	Durée de vie de la cellule expirée.	Remplacer la cellule.
	La combinaison d'une température d'eau plus basse (entre 2 °C et 18 °C/35 °F et 65 °F) et d'un niveau de sel plus faible (entre 1 500 et 2 000 ppm).	Vérifier le niveau de sel dans l'eau de la piscine. Si le niveau est entre 3 000 et 3 500 ppm, aucune mesure ne s'avère nécessaire. Si le niveau de sel est inférieur à 2 500 ppm, élever le niveau de salinité entre 3 000 et 3 500 ppm (voir Section 4.6). REMARQUE Un niveau de sel supérieur à 4 500 ppm peut provoquer des dommages par corrosion.

Problème	Cause possible	Mesure corrective
« Output Fault » (erreur de production) apparaît sur l'écran.	Bloc d'alimentation.	Couper l'alimentation au bloc d'alimentation et consulter un spécialiste en piscines de votre région.

Problème	Cause possible	Mesure corrective
Niveau de sel trop élevé.	Trop de sel a été ajouté à la piscine. Les débris métalliques coincés entre les plaques ou les plaques de cellule qui peuvent entrer en contact les unes avec les autres.	Effectuer une analyse pour vérifier le niveau de sel. Utiliser la méthode la plus fiable à votre disposition, c.-à-d., apporter un échantillon d'eau à un concessionnaire de piscines avant de prendre toute mesure en matière de dilution. Laver à contre-courant ou drainer partiellement la piscine, puis diluer à l'eau fraîche jusqu'à ce que la salinité retourne entre 3 000 ppm et 3 500 ppm. Utiliser la position « Waste » (déchets) ou « Drain » (purger) sur les filtres munis de soupapes multivoies. Un siphon créé à l'aide de deux tuyaux d'arrosage raccordés à un collecteur d'eaux pluviales peut également s'avérer utile. Ne pas utiliser le paramètre de lavage à contre-courant, car cela peut endommager le filtre. Assurer une surveillance étroite du niveau de l'eau si la pompe est en marche. Enlever les débris coincés entre les plaques à l'aide d'un tuyau d'arrosage sous pression modérée. Si les plaques sont desserrées et qu'elles entrent en contact les unes avec les autres, remplacer la cellule.

Problème	Cause possible	Mesure corrective
Niveau de sel trop bas.	Pas assez de sel dans la piscine.	Ajouter du sel à la piscine jusqu'à ce que la salinité retourne à 3 000 ppm (voir la Section 4.6).
	Fuite dans la piscine.	Réparer la piscine.

Problème	Cause possible	Mesure corrective
Forte odeur de chlore.	Présence excessive de chloramine (chlore combiné). Le chlore est un oxydant, ce qui signifie que les déchets organiques sont retirés de l'eau, puis rejetés dans l'air. Une forte odeur est inhérente à ce processus. Si cette odeur persiste pendant plus de 12 heures, apporter un échantillon d'eau au concessionnaire de piscines de votre région.	Effectuer une chloration-choc manuelle (voir Section 4.3).

Problème	Cause possible	Mesure corrective
Eau trouble, parois de la piscine visqueuses.	Croissance combinée d'algues et de bactéries.	Brosser les parois affectées et surchlorer la piscine manuellement (voir Section 4.3).

Problème	Cause possible	Mesure corrective
Irritation des yeux ou de la peau.	Mauvais équilibre de l'eau.	Équilibrer l'eau selon les niveaux recommandés à la Section 4.4.
	Niveau de chloramine élevé.	Augmenter le taux de production à 100 %, puis laisser fonctionner la pompe pendant 24 heures.

Problème	Cause possible	Mesure corrective
Formation de tartre sur l'équipement de la piscine. REMARQUE Pour nettoyer les dépôts (tartre) sur la cellule, voir la Section 6.3.	pH incorrect, ce qui libère les minéraux de la solution.	Ajuster l'alcalinité totale entre 80 et 120 ppm. Ensuite, régler le pH à un niveau se situant entre 7,4 et 7,6 (voir Section 4.4).
	Forte dureté calcique.	Diluer l'eau de la piscine avec de l'eau fraîche. Discuter avec votre spécialiste en piscines de l'utilisation d'un agent séquestrant.

Section 8. Affichage de lectures

8.1 Affichage de lectures et descriptions

Affichage de lecture	Raison	Description
EN	Langue au démarrage	C'est l'acronyme qui doit apparaître à l'écran de démarrage pendant 3 secondes.
English (Anglais)	Langue	Langue sélectionnée/présentée à l'utilisateur. La production est à OFF (arrêt) au moment de la sélection.
Standby (Veille)	Veille	Lorsque le système est prêt et en attente du prochain cycle de chloration valide sans erreur. La production est à OFF (arrêt).
Chlorinating (Chloration)	Chloration	Lorsque le système fonctionne pendant un cycle de chloration valide sans erreur. La production est à ON (marche).
Cleaning (Nettoyage)	Inversion de la polarité	Lorsque le système fonctionne pendant un cycle de chloration valide et que la minuterie du cycle de service est écoulée. La production est à OFF (arrêt).
Hi Temp/Hi Salt (Température élevée/Teneur élevée en sel)	Conductivité élevée de l'eau	Lorsque le système détecte une conductivité élevée de l'eau, cela peut être causé par la présence d'eau chaude, un niveau de sel élevé ou une combinaison des deux. Vérifier le niveau de sel. La production est à ON (marche).
Lo Temp/Lo Salt (Basse température/Faible teneur en sel)	Conductivité faible de l'eau	Lorsque le système détecte une conductivité faible de l'eau, cela peut être causé par la présence d'eau froide, un niveau de sel faible ou une combinaison des deux. Vérifier le niveau de sel. La production est à ON (marche).
No Flow (Aucun débit)	Aucun débit	Lorsque le système détecte une absence de débit pendant un cycle de chloration valide. La production est à OFF (arrêt).
Check Cell (Vérifier la cellule)	Surcharge de la cellule	Lorsque le système fonctionne pendant un cycle de chloration valide et détecte un court-circuit dans la cellule ou une surcharge. Conçu pour avertir l'utilisateur ou le préposé à l'entretien. La production est à OFF (arrêt).
	Circuit ouvert dans la cellule	Lorsque le système fonctionne pendant un cycle de chloration valide et détecte un court-circuit dans la cellule ou une déconnexion. Conçu pour avertir l'utilisateur ou le préposé à l'entretien. La production est éteinte, mais reprend toutes les 30 secondes.
Over Temp (Surchauffe)	Surchauffe du régulateur	<p>Le régulateur détecte la température interne et peut réduire la puissance de production comme mesure de protection automatique.</p> <p>À 70 °C (interne), la puissance de production vers la cellule est réduite de 50 % (aucun message ne s'affiche).</p> <p>À 80 °C (interne), la puissance de production vers la cellule est réduite à 0 % (OFF) (arrêt) et cette erreur causée par une surchauffe s'affiche. La production est à OFF (arrêt).</p> <p>Conçu pour avertir l'utilisateur ou le préposé à l'entretien de la surchauffe.</p> <p>Confirmer que ce message d'avertissement disparaît automatiquement lorsque la température interne est en deçà de 80 °C.</p>

Zodiac Pool Systems, Inc.
2620 Commerce Way, Vista, CA 92081
1.800.822.7933 | www.ZodiacPoolSystems.com

Zodiac Pool Systems Canada, Inc.
2115 South Service Road West, Unit 3 Oakville (ON) L6L 5W2
+ 1 (888) 647-4004 | www.ZodiacPoolSystems.ca

*ZODIAC® est une marque déposée de Zodiac International, S.A.S.U., utilisée sous licence.
Toutes les marques de commerce mentionnées dans le présent document sont la propriété de leurs propriétaires respectifs.*

©2015 Zodiac Pool Systems, Inc. H0470600_REV B



ETL LISTED
CONFORMS TO
UL STD 1081
Certified to
CAN/CSA C22.2
No. 218.1



MANUAL DE INSTALACIÓN Y OPERACIÓN

ENGLISH | FRANÇAIS | ESPAÑOL



Jandy Pro Series TruClear™ Sistema generador de cloro

⚠ ADVERTENCIA

PARA SU SEGURIDAD - Este producto debe ser instalado y mantenido por un contratista con la licencia y la capacitación necesarias para trabajar con equipos para piscinas otorgadas por la jurisdicción donde se instalará el producto en caso de que existan tales requisitos estatales o locales. La persona que realice la instalación o el mantenimiento debe ser un profesional con experiencia suficiente en la instalación y el mantenimiento de equipos para piscinas de tal manera que pueda seguir al pie de la letra todas las instrucciones de este manual. Antes de instalar este producto, lea y siga todas las instrucciones y preste atención a las advertencias en el manual adjunto. No prestar la debida atención a las advertencias y las instrucciones puede ocasionar daños a la propiedad, lesiones personales e incluso la muerte. La instalación o la operación incorrectas serán causa de anulación de la garantía.



La instalación y la operación incorrectas pueden crear un riesgo eléctrico imprevisto capaz de ocasionar lesiones graves, daños a la propiedad e incluso la muerte.

ATENCIÓN INSTALADOR - Este manual contiene información importante acerca de la instalación, la operación y la utilización seguras de este producto. Esta información debe ser entregada al dueño u operador de este equipo.

Índice

Sección 1. Instrucciones de seguridad importantes	55	Sección 5. Instrucciones de operación.....	70
1.1 Instrucciones de seguridad	55	5.1 Panel de control	70
Sección 2. Descripción general	58	5.2 Encendido/apagado (manual) del paquete de energía	70
2.1 Especificaciones del producto.....	58	5.3 Encendido/apagado del paquete de energía (usando el temporizador externo de la bomba)...	70
2.2 Contenido del producto	59	5.4 Configuración del nivel de producción de cloro	70
Sección 3. Instrucciones de instalación	60	5.5 Inversión de polaridad	71
3.1 Materiales y herramientas	60	5.6 Batería de respaldo	71
3.2 Requisitos de instalación.....	60	Sección 6. Instrucciones de mantenimiento 71	
3.3 Instalación del paquete de energía	61	6.1 Semanal	71
3.4 Instalación de la celda.....	62	6.2 Mensual.....	71
3.5 Cableado del paquete de energía a la fuente de alimentación	63	6.3 Limpieza de la celda.....	72
3.6 Conexiones eléctricas	64	6.4 Preparación para el invierno	75
3.7 Instrucciones del sistema de hidráulica de retorno dividido: Para sistemas de limpieza integrados al piso ..	65	Sección 7. Diagnóstico y solución de problemas	75
Sección 4. Preparación del agua de la piscina	65	7.1 Problemas y acción correctiva	75
4.1 Determinación del tamaño de la piscina (litros de agua en su piscina)	65	Sección 8. Lecturas de la pantalla.....	77
4.2 Determinación del tamaño de la piscina (galones de agua en su piscina)	65	8.1 Lecturas de la pantalla y descripciones	77
4.3 Conceptos químicos que necesita conocer.....	65		
4.4 Condiciones óptimas del agua de la piscina ..	67		
4.5 Recolección de una muestra de agua.....	67		
4.6 Sal (NaCl, cloruro de sodio)	67		
Cuándo debe agregar sal.....	67		
Qué tipo de sal debe usar	67		
Cuánta sal debe usar	67		
Cómo debe agregar sal a la piscina....	68		

Sección 1. Instrucciones de seguridad importantes

LEA Y SIGA ESTAS INSTRUCCIONES

1.1 Instrucciones de seguridad

Todo trabajo de electricidad deberá realizarlo un electricista certificado de conformidad con todos los códigos nacionales, estatales y regionales. Cuando se instale y utilice este equipo eléctrico, siempre se deberán seguir las siguientes precauciones básicas de seguridad:

ADVERTENCIA

EQUIPO BAJO PRESIÓN: Siempre apague la bomba antes de instalar o reparar paquete de energía o la celda. El sistema de bomba/filtro funciona bajo presión y la presión debe liberarse antes de comenzar a trabajar. Vea el manual del propietario de la bomba/el filtro para obtener instrucciones adicionales.

ADVERTENCIA

Para reducir el riesgo de descarga eléctrica, incendio o lesión, solo un profesional de servicio de piscinas calificado deberá realizar reparaciones o el mantenimiento.

ADVERTENCIA

Los dispositivos generadores de cloro Jandy Pro Series están diseñados para uso en piscinas domésticas (residenciales) solamente. El uso contrario podría afectar el rendimiento, invalidar la garantía y producir daños en propiedad, lesiones graves o la muerte.

- Operar un generador de cloro sin que fluya agua a través de la celda puede provocar una concentración de gases inflamables, resultando en un incendio o explosión.
- Mantenga el equipo fuera del alcance de los niños.
- Un cable de alimentación dañado solo debe ser reemplazado por el fabricante, agente de servicio o electricista.
- Cuando se instale y utilice este equipo eléctrico, siempre se deberán seguir las precauciones básicas de seguridad.
- Antes de realizar la instalación, desconecte toda la energía.
- Conecte a un circuito que esté protegido por un interruptor de circuito de descarga a tierra (GFCI).
- No la instale en un recinto exterior o debajo de la falda de una tina de hidromasaje o spa.

ADVERTENCIA

La instalación debe realizarse de conformidad con el National Electrical Code® (“NEC®” o NFPA-70®) en Estados Unidos, el Código Eléctrico Canadiense (“CEC” o C22.1) en Canadá, y/o cualquier otro código de instalación local y nacional.

RIESGO DE DESCARGA ELÉCTRICA, INCENDIO, LESIONES PERSONALES O MUERTE. Conectar solamente a un ramal del circuito que esté protegido por un interruptor de circuito por falla a tierra (GFCI). Contacte a un electricista autorizado si no puede verificar que el circuito está protegido por un GFCI. Asegúrese de que el instalador proporcione un GFCI y que sea probado de manera rutinaria. Para probar el GFCI, presione el botón de prueba. El GFCI debe interrumpir la energía. Presione el botón Reset. Se debe restablecer la energía. Si el GFCI no funciona de esta forma, significa que está defectuoso. Si el GFCI interrumpe la energía hacia la bomba sin presionar el botón de prueba, quiere decir que la corriente de tierra está circulando sin problemas, lo que indica la posibilidad de una descarga eléctrica. No utilice el dispositivo. Desconecte el dispositivo y solicite a un representante de servicio calificado que solucione el problema antes de utilizarlo.

Se incluye un cable de conexión a tierra verde/amarillo dentro del paquete de energía. Para disminuir el riesgo de descarga eléctrica, conecte el cable de tierra al cable de conexión a tierra que suministra energía a la unidad.

ADVERTENCIA

El paquete de energía debe estar interbloqueado/interconectado con la fuente de alimentación del motor de la bomba de la piscina para asegurar que el clorador solo opere cuando la bomba de la piscina esté funcionando.

⚠ ADVERTENCIA

- El paquete de energía debe instalarse al menos a 5 pies (1,5 m) de distancia vertical del piso.
- En Estados Unidos, el paquete de energía debe instalarse al menos a 5 pies (1,5 m) de distancia de la pared interior de su piscina o spa; en Canadá hay que instalar el paquete de energía al menos a 10 pies (3 m) de la pared interior de su piscina o spa.

⚠ ADVERTENCIA

Este aparato no está diseñado para que lo usen personas (incluidos niños) con capacidades físicas, sensoriales o mentales reducidas, o que carezcan de experiencia y conocimiento, a menos que hayan recibido supervisión o instrucción en cuanto al uso del aparato por parte de una persona responsable de su seguridad.

⚠ ADVERTENCIA

Para reducir el riesgo de sufrir accidentes, no retire los aditamentos de succión del spa o la tina de hidromasaje. Nunca ponga en funcionamiento un spa o una tina de hidromasaje que no tenga los aditamentos de succión o los tenga dañados. Nunca reemplace un aditamento de succión por otro que sea para una tasa de caudal menor que la indicada en el equipo.

⚠ ADVERTENCIA

EVITE EL AHOGAMIENTO DE LOS NIÑOS: No permita que ninguna persona, especialmente niños pequeños, se sienten, pisen, se apoyen o trepen en los equipos instalados como parte del sistema operativo de la piscina. Ubique los componentes de su sistema operativo al menos a tres (3) pies (1 m) de la piscina de tal forma que los niños no puedan usar los equipos para acceder a la piscina y lesionarse o ahogarse.

⚠ ADVERTENCIA

La inmersión prolongada en agua caliente puede producir hipertermia. La hipertermia ocurre cuando la temperatura interna del cuerpo alcanza un nivel que está varios grados por encima de la temperatura corporal normal de 98,6 °F (37 °C). Los síntomas de hipertermia incluyen mareo, desmayo, somnolencia, letargo y un aumento de la temperatura interna del cuerpo. Los efectos de la hipertermia incluyen:

- Falta de conciencia del peligro eminente
- Pérdida de la percepción del calor
- Falta de reconocimiento de que hay que salir del Spa
- Incapacidad física para salir del spa
- Daño al feto en mujeres embarazadas
- Pérdida de la conciencia que puede provocar el ahogamiento

⚠ ADVERTENCIA**Para reducir el riesgo de lesiones**

- El agua del Spa nunca debe exceder los 140 °F (40 °C). Se considera que las temperaturas entre 100 °F (38 °C) y 104 °F (40 °C) son seguras para un adulto saludable. Se recomiendan temperaturas del agua moderadas para niños pequeños y para cuando se utilice el spa por más de 10 minutos.
- Debido a que las temperaturas de agua muy altas tienen un alto potencial para causar daños al feto durante los primeros meses de embarazo, las mujeres embarazadas o que sospechen un embarazo deben limitar la temperatura del agua del spa a 100 °F (38 °C).
- Antes de entrar a un spa o una tina de hidromasaje, el usuario debe medir la temperatura con un termómetro fiable, ya que la tolerancia de los dispositivos que regulan la temperatura del agua varía.
- El uso de alcohol, drogas o medicamentos antes o durante el uso del spa o tina de hidromasaje puede producir pérdida del conocimiento con la posibilidad de ahogamiento.
- Las personas obesas y aquellas con antecedentes de enfermedades cardíacas, con presión baja o alta, con problemas en el sistema circulatorio o con diabetes deben consultar al médico antes de utilizar el spa.
- Las personas que estén tomando medicamentos deben consultar al médico antes de utilizar el spa o la tina de hidromasaje porque algunos medicamentos pueden provocar somnolencia mientras que otros medicamentos pueden afectar el ritmo cardíaco, la presión arterial y la circulación.

⚠ ADVERTENCIA

- Personas con enfermedades infecciosas no deben utilizar el spa ni la tina de hidromasaje.
- Para evitar lesiones, tenga cuidado al entrar o salir del spa o de la tina de hidromasaje.
- No consuma drogas ni alcohol antes o durante el uso del spa o de la tina de hidromasaje para evitar quedar inconsciente y que exista la posibilidad de ahogarse.
- Mujeres embarazadas o que sospechen estarlo deben consultar al médico antes de utilizar el spa o la tina de hidromasaje.
- Temperaturas del agua por encima de 100 °F (38 °C) pueden ser perjudiciales para la salud.
- Antes de entrar a un spa o tina de hidromasaje, mida la temperatura del agua con un termómetro preciso.
- No utilice el spa ni la tina de hidromasaje inmediatamente después de haber hecho ejercicios vigorosos.
- La inmersión prolongada en el spa o la tina de hidromasaje puede ser perjudicial para su salud.
- No acepte la instalación de ningún artefacto eléctrico (como luces, teléfono, radio o televisión) dentro de un radio de 5 pies (1,52 m) del spa o de la tina de hidromasaje.
- El uso de alcohol, drogas o medicamentos puede aumentar considerablemente el riesgo de hipertermia fatal en tinas de hidromasaje y spas.
- Las temperaturas mayores a los 100 °F (38 °C) pueden ser perjudiciales para la salud.

⚠ PRECAUCIÓN

Este dispositivo es para uso en piscinas permanentes y también se puede utilizar en tinas de hidromasaje y spas, si estuviera indicado en la documentación. No la utilice en piscinas portátiles. Las piscinas permanentes están construidas dentro o sobre el suelo o en un edificio de tal manera que no se pueden desmontar para su almacenamiento. Las piscinas portátiles están construidas de manera que pueden ser fácilmente desmontadas para su almacenamiento y volver a montarse en su estado original.

⚠ PRECAUCIÓN

Es importante señalar que ciertos materiales utilizados en y alrededor de las piscinas y spas tal vez no sean compatibles con los químicos que se utilizan comúnmente para purificar el agua de la piscina y spa (por ejemplo, ácidos, cloro, sal, estabilizadores, etc.).

Zodiac Pool Systems, Inc. no garantiza que el agua clorada generada por el dispositivo generador de cloro Jandy Pro Series no vaya a dañar o destruir ciertos tipos de plantas, cubiertas, coronas y otros materiales en y alrededor de su piscina y/o spa. Antes de seleccionar los materiales a usar en y alrededor de su piscina y/o spa, hable sobre todas las opciones con su contratista para evaluar la compatibilidad de dichos materiales y productos químicos.

Al mezclar ácido u otros químicos con agua, **AGREGUE SIEMPRE EL ÁCIDO O LOS QUÍMICOS AL AGUA. NUNCA AGREGUE EL AGUA AL ÁCIDO O LOS QUÍMICOS.**

Algunas consideraciones útiles pueden ser:

- Seleccione plantas que puedan soportar las salpicaduras de agua que contenga cloro y/o sal y demás químicos de purificación del agua.
- Todos los componentes de metal utilizados en y alrededor de una piscina deben ser de acero inoxidable de alto grado y alta calidad.
- Seleccione con cuidado los productos de mampostería. La porosidad y la dureza de las piedras naturales varía de manera considerable. Por lo tanto le recomendamos consultar con su constructor o contratista experto en piedras en cuanto a la mejor opción para los materiales de piedra alrededor de su piscina o spa.
- Selle todos los productos de mampostería. Los profesionales en la industria de las piedras ornamentales especifican que incluso la piedra natural, en especial si se usa en exterior, debe sellarse para evitar la erosión, el manchado y la degradación prematura. Consulte con su contratista de piedras ornamentales o cubiertas en cuanto al sellador correcto para los productos de mampostería que seleccionó para usar alrededor de su piscina o spa.
- Para resultados óptimos, vuelva a aplicar los selladores con regularidad. Vuelva a aplicar el sellador protector siguiendo un cronograma según las instrucciones del fabricante.
- El uso de productos químicos que no sean los recomendados puede ser peligroso. Siga las instrucciones de los fabricantes de productos químicos.

GUARDE ESTAS INSTRUCCIONES

Sección 2. Descripción general

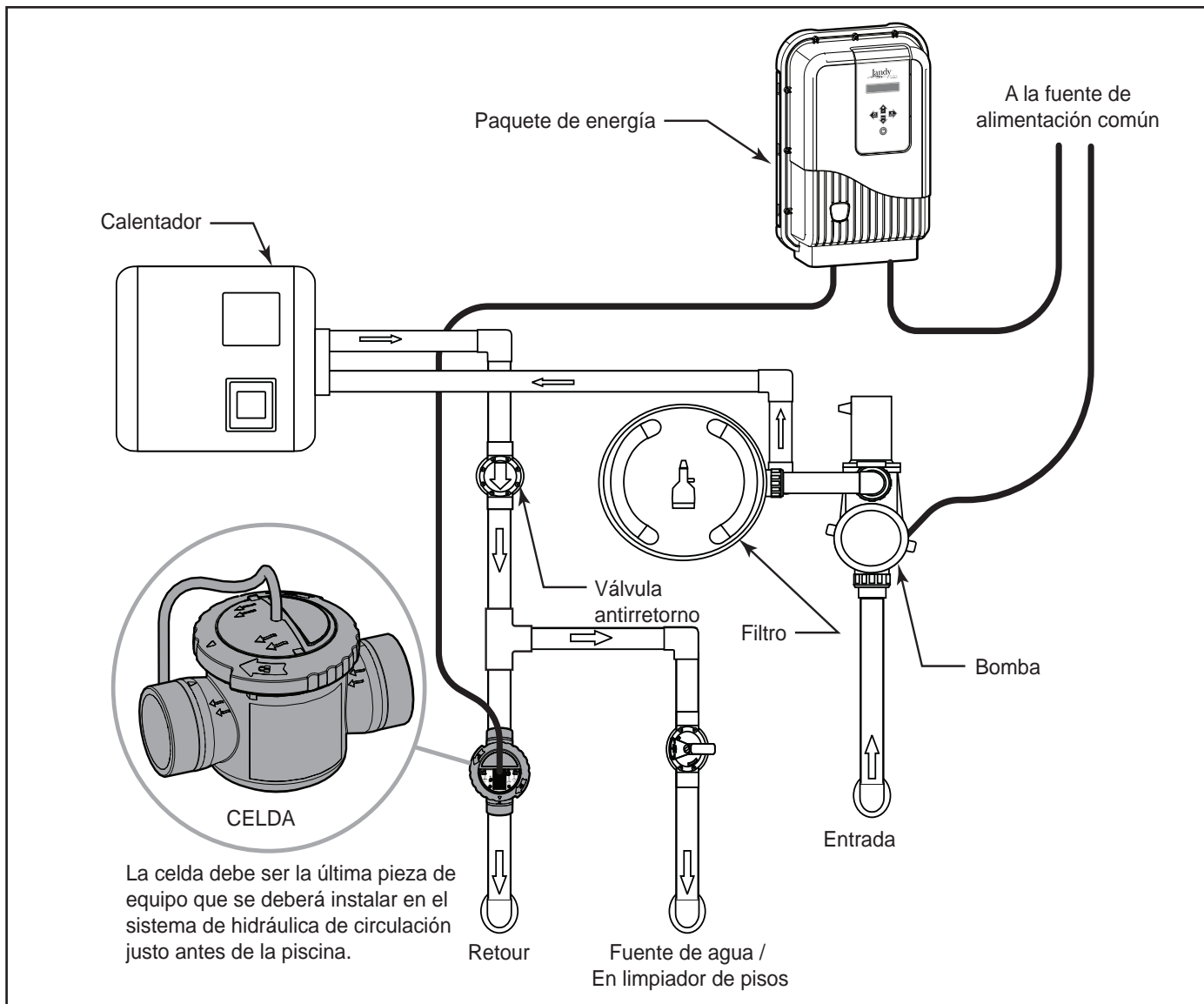


Figura 1. Ejemplo de instalación

2.1 Especificaciones del producto

Presión máxima de operación: 50 psi	Frec. de entrada: 60 Hz
Caudal mínimo: 20 gpm (76 lpm)	Voltaje de salida: 25 V CD (máx)
Nivel de sal requerido: 3.0 gpl (3,000 ppm)	Dimensiones : Paquete de energía (L x W x H): 10 in. x 4.5 in. x 13 in. (25.4 cm x 11.4 cm x 33 cm) Celda electrolítica (L x W x H): 6.5 in. x 5.5 in. x 12 in. (16.5 cm x 14 cm x 30.5 cm)
Máximo volumen de agua tratado: 35,000 gal. (132,000 L)	
Producción de cloro: 0.93 lbs. (0.42 kg) por día	
Voltajes de entrada: 240 V	Peso: Paquete de energía: 7 lbs (3.2 kg.) Celda electrolítica: 2 lbs. (0.9 kg)
Corriente de entrada @ 240 VCA: ~1 A	

2.2 Contenido del producto

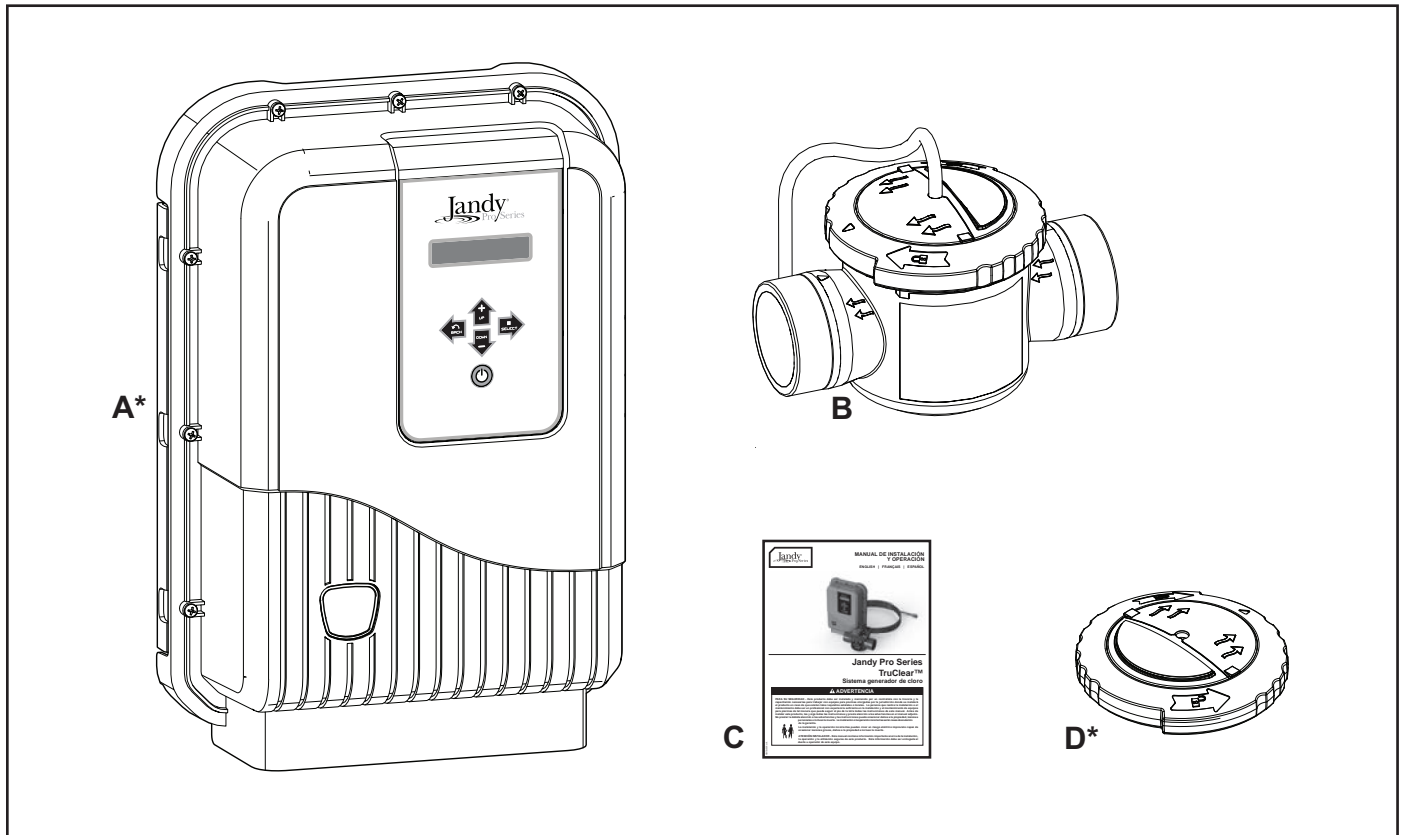


Figura 2. Contenido de la caja

Ítems incluidos

ÍTEM	DESCRIPCIÓN	CTD
A	Paquete de energía	1
B	Celda (el elemento que se muestra es la célula estándar. Una versión con los sindicatos es una opción disponible.)	1
C	Manual de instalación y operación	1

* Articles vendus séparément

ITEM	DESCRIPTION	Part #	
D	Tapón de preparación para el invierno	R0621900	Truclear Cellule
no mostrada	Única asamblea celular (sin alojamiento)	R0693900	
no mostrada	Sólo con los sindicatos de vivienda (sin células)	R0694000	
no mostrada	Junta tórica	R0694100	
A	Paquete de energía	R0663700	Bloc D'alimentation
no mostrada	El conjunto de la tapa con una interfaz de usuario	R0663800	
no mostrada	Montaje de circuitos imprimés	R0663900	

Sección 3. Instrucciones de instalación

⚠ ADVERTENCIA

POR SU SEGURIDAD: Este producto debe ser instalado y mantenido por un técnico profesional de mantenimiento, especializado en piscina/spa, como se indica en la portada de este manual. Los procedimientos indicados en este manual se deben seguir con exactitud. No prestar la debida atención a las advertencias e instrucciones puede ocasionar daños a la propiedad, lesiones graves y hasta la muerte. La instalación o la operación incorrectas serán causa de anulación de la garantía.

⚠ ADVERTENCIA

EQUIPO BAJO PRESIÓN: Apague siempre la bomba antes de instalar o dar servicio al dispositivo generador de cloro Jandy Pro Series. El sistema de bomba/filtro funciona bajo presión y la presión debe liberarse antes de comenzar a trabajar. Vea el manual del propietario de la bomba/el filtro para obtener instrucciones adicionales.

Desconecte la alimentación eléctrica del sistema en el disyuntor de circuito principal antes de realizar este procedimiento para evitar un riesgo de descarga eléctrica que puede provocar daños en propiedad, lesiones severas o la muerte.

Antes de comenzar su instalación, compruebe que tenga las herramientas correctas y una ubicación adecuada para instalar el paquete de energía y la celda. Asegúrese de haber leído y entendido la sección Instrucciones importantes de seguridad.

3.1 Materiales y herramientas

Herramientas necesarias para la instalación

- Conjunto de tornillos (tapones de pared)
- Taladro inalámbrico (o eléctrico)
- Broca de mampostería o de taladro martillo de 15/64 in. (6 mm) (solo necesaria para perforar en ladrillo o concreto)
- Lápiz o marcador
- Tornillo de cabeza Phillips o broca de cabeza Phillips
- Se recomienda cemento gris de CPVC WELD-ON® 724™

3.2 Requisitos de instalación

⚠ ADVERTENCIA

El dispositivo generador de cloro Jandy Pro Series debe instalarse en posición horizontal con el cable viendo hacia arriba para evitar la concentración de gases inflamables, lo que puede provocar un INCENDIO o EXPLOSIÓN.

Los requisitos de instalación para el dispositivo generador de cloro Jandy Pro Series son:

- Hay que instalar el paquete de energía al menos a 5 pies (1.5 m) verticalmente sobre el piso.
- En Estados Unidos, hay que instalar el paquete de energía al menos a 5 pies (1.5 m) de distancia de la pared interior de su piscina o spa; en Canadá, se debe instalar el paquete de energía a un mínimo de de 10 pies (3 m) de la pared interior de la piscina o spa.
- Se debe instalar la celda en una longitud horizontal de 16 in. (0,4 m) de tubo después de los calentadores, bombas y filtros, como la última pieza de equipo en el sistema de hidráulica de circulación justo antes de las conexiones de retorno de la piscina. (vea la figura 3).
- Se debe instalar la celda a una distancia máxima de 15 pies (4.6 m) del paquete de energía (vea la figura 3).

- Se recomienda instalar la celda a 25 cm (10 in.) de cualquier codo de 90°.



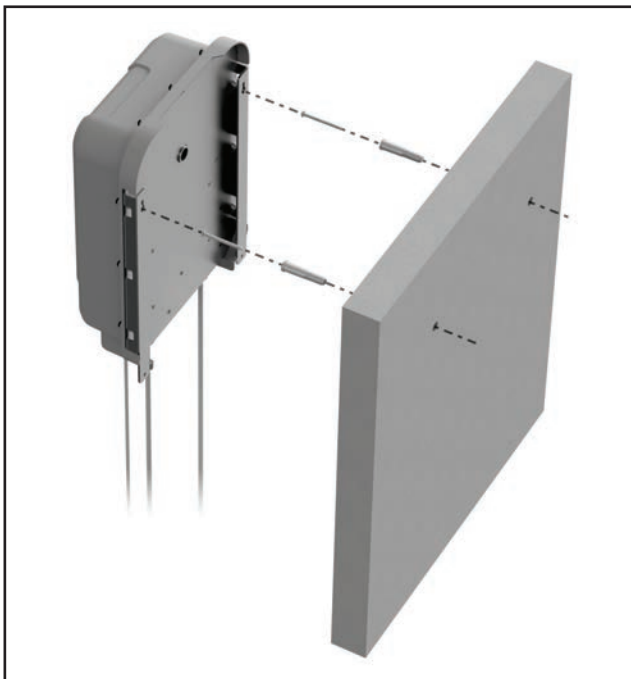
Figura 3. Requisitos de instalación

3.3 Instalación del paquete de energía

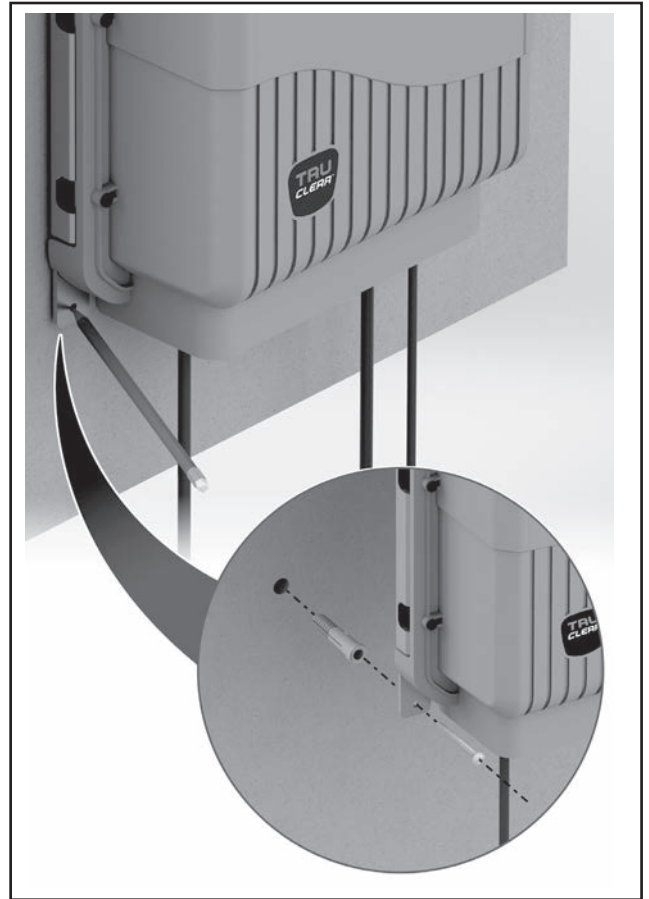
1. Asegúrese de que la colocación de la celda y el paquete de energía cumplan con todos los requisitos de instalación descritos en la sección 3.2.
2. Determine la ubicación deseada en la pared para montar el paquete de energía.
3. Marque y perforo los dos orificios superiores en la pared, usando la plantilla incluida en la Guía de inicio rápido. La distancia desde el centro de los dos orificios es de 10". Use un nivel y la plantilla para localizar la posición exacta de los orificios.



4. Apriete los tornillos en los orificios y cuelgue el paquete de energía de los dos orificios superiores de la placa posterior.



5. Con el paquete de energía en su posición correcta, marque la posición de los dos orificios inferiores.



6. Retire el paquete de energía, perforo los dos orificios inferiores y coloque las anclas de los tornillos en su posición.
7. Monte el paquete de energía suspendiéndolo de los dos tornillos superiores que ya están colocados; después apriete los dos tornillos inferiores para finalizar la instalación.

⚠ ADVERTENCIA

Para evitar daños en propiedad, lesiones graves o la muerte, no ponga a funcionar la celda electrolítica sin circulación de agua. Una concentración de gases inflamables puede generar un INCENDIO o EXPLOSIÓN. Se debe interconectar el paquete de energía con la fuente de alimentación del motor de la bomba de la piscina, para asegurar que el clorador solo opere cuando esté funcionando la bomba de la piscina.

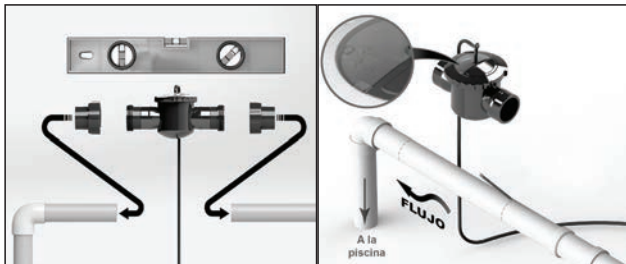
3.4 Instalación de la celda

Instalación estándar

La instalación estándar consiste en conectar la unidad de alojamiento de TruClear directamente al sistema de hidráulica de la piscina, sin el uso de uniones roscadas.

1. Determine la ubicación deseada de la celda como la última pieza de equipo antes de la entrada de retorno hacia la piscina, en un segmento de tubo de por lo menos 16 pulgadas de largo. La celda debe montarse verticalmente en el tubo que esté tendido a menos de $\pm 5^\circ$ de nivel (paralelo al suelo). La celda no puede montarse en un tubo vertical o inclinado.

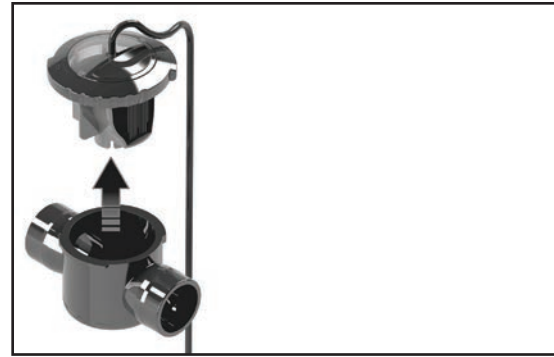
NOTA Se debe instalar la celda en un tubo con una longitud horizontal de 16 pulgadas (40cm) después de los calentadores, las bombas y los filtros, como la última pieza de equipo en el sistema de hidráulica de circulación antes de la entrada de la piscina (vea la figura 1).



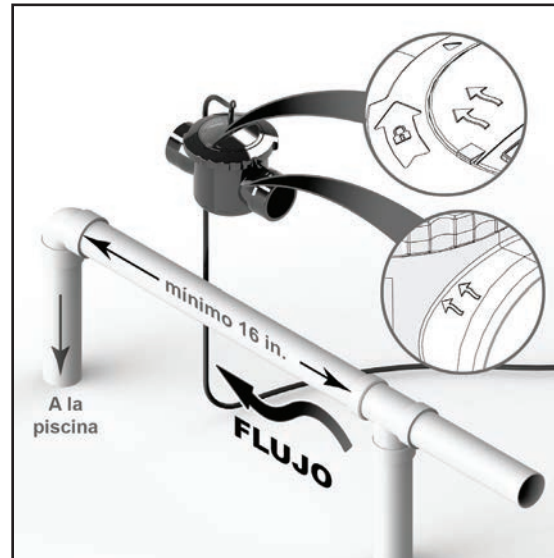
2. Haga los recortes apropiados en el tubo en donde instalará la celda. El espacio entre los cortes debe ser de 6 pulgadas.



3. Quite la celda de la carcasa y conecte la carcasa al tubo, asegurándose de que las flechas del indicador de flujo en la carcasa coincidan con la dirección de flujo del agua. Los tubos deben estar limpios y secos antes de pegarlos.



NOTA Si la dirección del flujo del agua no coincide con las flechas en la carcasa, la celda fallará.



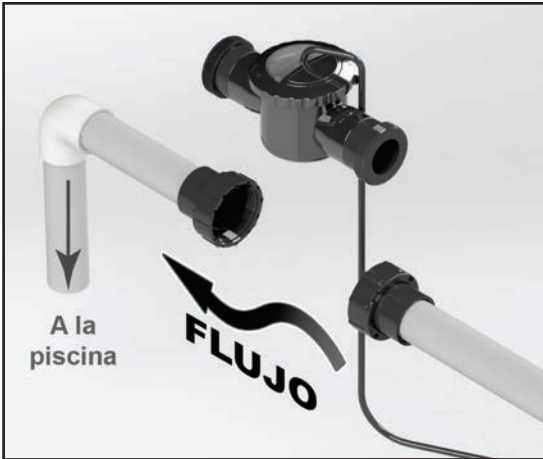
4. Deje secar el sistema según las instrucciones que proporcione el fabricante del pegamento. Cuando el pegamento seque, inicie el sistema y verifique que el flujo de agua sea correcto.

Instalación modernizada

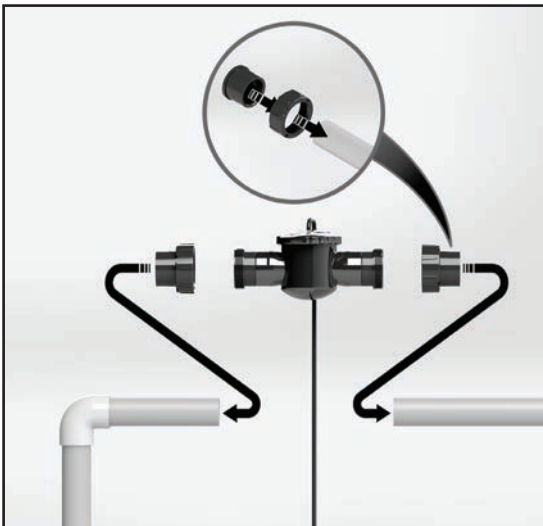
La instalación modernizada es una TruClear diseñada de fábrica con uniones roscadas integradas en la unidad de alojamiento. Este método puede usarse para reemplazar un generador de cloro existente o como nueva instalación.

1. Determine la ubicación deseada de la celda como la última pieza de equipo antes de regresar a la piscina. Debe montarse verticalmente a 90° sobre un tubo horizontal. La celda no puede montarse en un tubo vertical o inclinado.

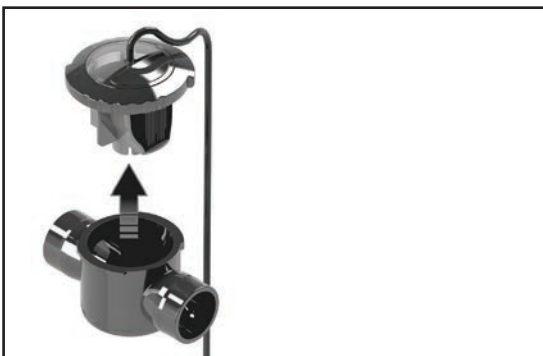
NOTA se debe instalar la celda en un tubo con una longitud horizontal de 16 pulgadas (40 cm) después de los calentadores, las bombas y los filtros, como la última pieza de equipo en el sistema de hidráulica de circulación antes de la entrada de la piscina (vea la figura 1).



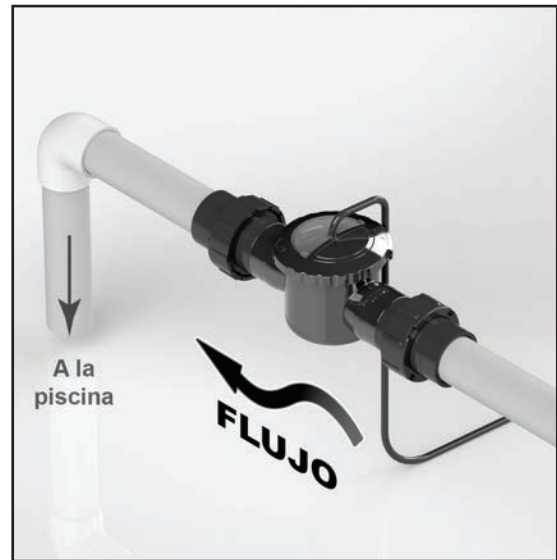
2. Retire el equipo existente y realice los cortes apropiados en el tubo en donde instalará la celda.



3. Quite la celda de la carcasa y conecte la carcasa al tubo, asegurándose de que las flechas del indicador de flujo en la carcasa coincidan con la dirección de flujo del agua. Los tubos deben estar limpios y secos antes de pegarlos.



NOTA Si la dirección del flujo del agua no coincide con las flechas en la carcasa, la celda fallará.



4. Deje secar el sistema según las instrucciones que proporcione el fabricante del pegamento. Cuando el pegamento seque, inicie el sistema y verifique que el flujo de agua sea correcto.

3.5 Conexión del paquete de energía a la fuente de alimentación

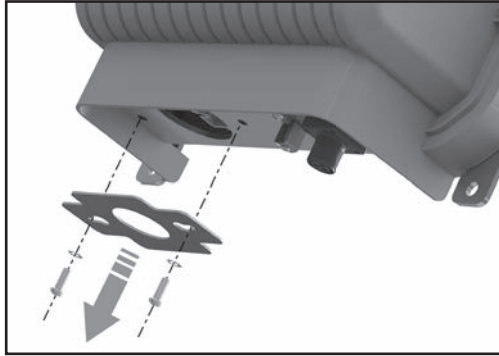
⚠ ADVERTENCIA

Al usar productos eléctricos hay que seguir siempre las siguientes precauciones básicas:

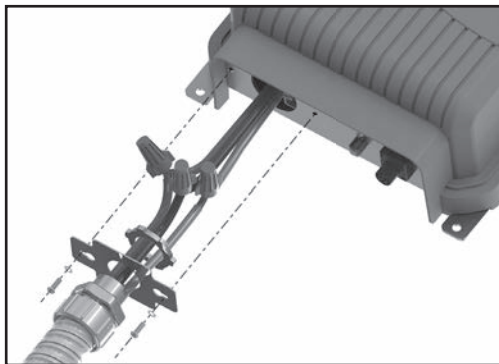
- PELIGRO: RIESGO DE DESCARGA ELECTRICA QUE PUEDE RESULTAR EN LESION GRAVE O LA MUERTE. Antes de instalar o realizar un mantenimiento, asegúrese de que el suministro de energía que va al aparato este cortado/apagado en el panel principal de interruptores automáticos. Conecte solamente a un ramal del circuito que esté protegido por un interruptor de circuito por falla a tierra (GFCI).
- Se requiere conexión a tierra. La unidad debe ser instalada por un representante de servicio calificado y debe conectarse a tierra y unirse correctamente (vea la sección 3.6, Unión).
- Para evitar daño en propiedad, lesiones graves o la muerte, use la placa posterior del chasis del paquete de energía para conectar cualquier otro equipo a tierra.
- Instale para permitir el acceso para servicio.
- Seleccione el tamaño del conductor de campo de manera apropiada, tomando en consideración la longitud del circuito y de conformidad con los códigos de instalación aplicables. **Solo un profesional calificado debe intentar el cableado.**

1. Conecte el paquete de energía a la fuente de alimentación de la bomba de la piscina, usando cable aislado de 3.3 mm² (12 AWG) y conducto eléctrico. Conecte el paquete de energía al lado LOAD (carga) del relevador del temporizador de la bomba de la piscina, de modo que el clorador pueda encenderse solo cuando se encienda la bomba (vea la figura 4).

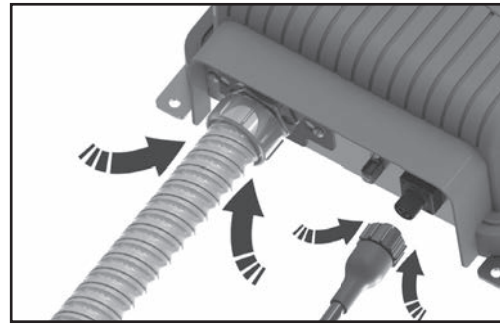
- Retire la placa de montaje eléctrico que suministra el cable de alimentación para el paquete de energía.



- Pase el cable de alimentación a través de la placa de montaje.
- Conecte el conducto eléctrico a la placa de montaje.
- Haga las conexiones de los cables. Nota: el cable verde debe conectarse al punto de conexión a tierra.



- Coloque todas las conexiones y los cables dentro del paquete de energía y asegure firmemente la placa de montaje eléctrico.



- Conecte la celda al paquete de energía.

3.6 Conexiones eléctricas y puesta a tierra

El National Electric Code® (NEC®) requiere que todo el equipo de la piscina esté conectado entre sí. Revise sus códigos locales para determinar si la autoridad competente implementa el NEC u otros códigos de instalación locales. Se recomienda un cable de cobre sólido de 8.37 mm² (8 AWG), según el NEC, para unir el paquete de energía a una conexión de unión permanente que sea aceptable para la autoridad competente local. Consulte sus códigos implementados localmente para determinar el calibre aceptado para el cable de unión. Conecte el punto de unión localizado en la parte inferior de la placa posterior del chasis a un punto de unión común. No use el paquete de energía como el punto de unión común. Cada pieza de equipo no relacionado con la piscina que requiera conexión a tierra también deberá conectarse al punto común de unión aprobado. Debe haber una conexión de unión al paquete de energía. En Canadá, el Código Eléctrico Canadiense (CEC) indica que el conductor de unión debe ser como mínimo de 13.3 mm² (6 AWG).

⚠ ADVERTENCIA

Seleccione el tamaño del conductor de campo de manera apropiada, tomando en consideración la longitud del circuito y de conformidad con los códigos de instalación aplicables. El cable de tierra debe ser como mínimo de 12 AWG

Use conductores de cobre solamente – clasificados para 90 °C mínimo

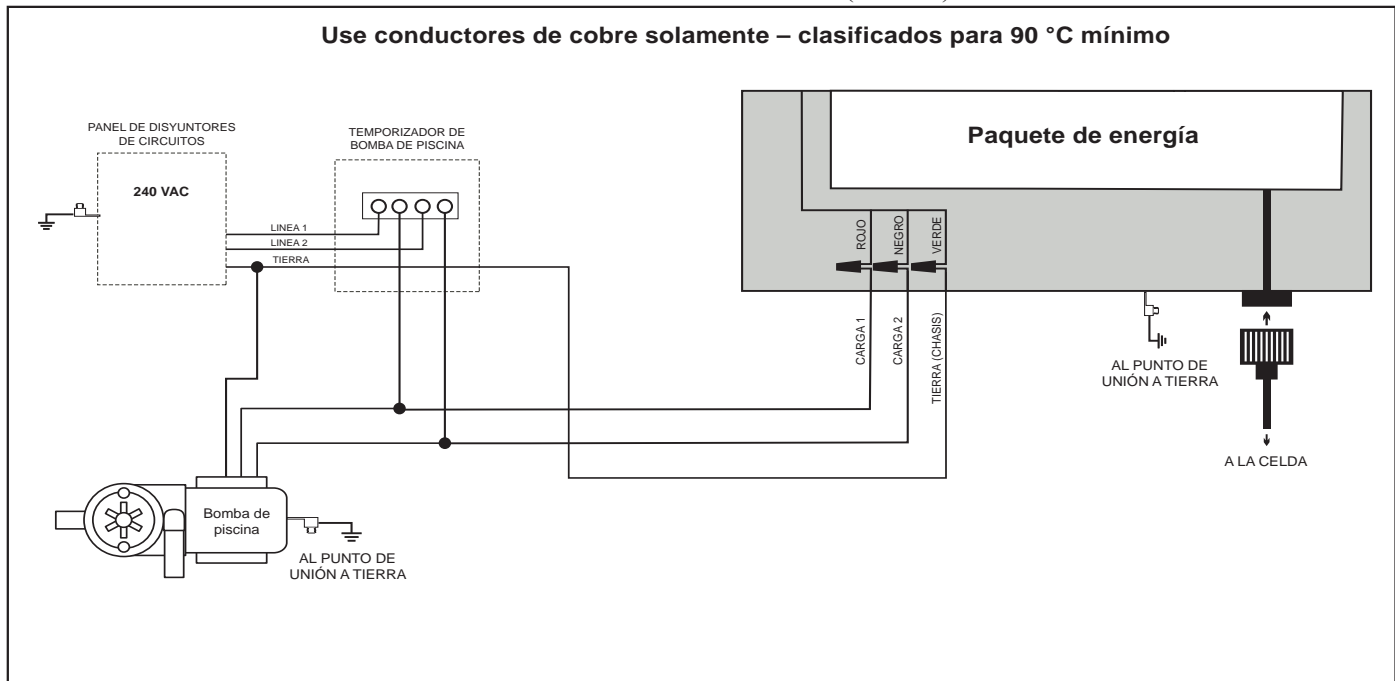


Figura 4. Diagrama de cableado

3.7 Instrucciones para hidráulica de retorno dividido: para sistemas de limpieza integrados al piso

Si el clorador se usa con un sistema de limpieza integrado al piso, debe instalarse en una línea de retorno dedicada separada, ya que el no hacerlo causará daños al clorador.

NOTA no instale el clorador en sistemas integrados al piso que no tengan un retorno hacia la piscina dedicado, como se muestra en la figura 5.

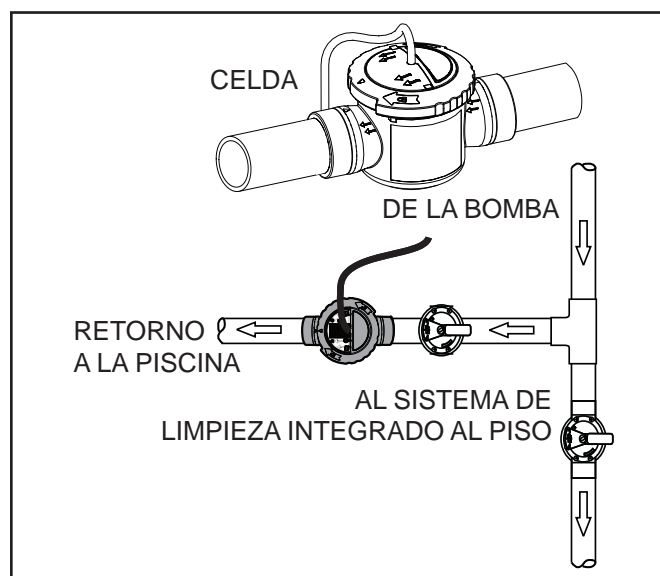


Figura 5. Nueva hidráulica de la piscina para sistemas integrados al piso

Sección 4. Preparación del agua de la piscina

4.1 Determinación del tamaño de la piscina (litros)

- **Piscinas rectangulares**
Longitud (metros) x anchura (metros) x profundidad promedio (metros) x 1000 = capacidad en litros.
- **Piscinas circulares**
Radio (metros) x radio (metros) x 3.14 x profundidad promedio (metros) x 1000 = capacidad en litros.
- **Piscinas ovaladas**
Radio corto (metros) x radio largo (metros) x 3.14 x profundidad promedio (metros) x 1000 = capacidad en litros.

4.2 Determinación del tamaño de la piscina (galones)

- **Piscinas rectangulares**
Longitud (pies) x anchura (pies) x profundidad promedio (pies) x 7.5 = capacidad en galones.
- **Piscinas circulares**
Radio (pies) x radio (pies) x 3.14 x profundidad promedio (pies) x 7.5 = capacidad en galones.

- **Piscinas ovaladas**

Radio largo (pies) x radio corto (pies) x 3.14 x profundidad promedio (pies) x 7.5 = capacidad en galones.

4.3 Conceptos químicos que necesita conocer

- **Se necesita un estabilizador del cloro (ácido cianúrico)** para mantener los niveles correctos de cloro. La mayoría del cloro no estabilizado se destruye debido a la radiación UV del sol en menos de dos (2) horas. Se debe mantener el estabilizador del cloro entre 30 a 50 ppm. En piscinas para interiores, no es necesario agregar estabilizador de cloro al agua de la piscina.
- **Los nitratos** pueden provocar demandas de cloro extremadamente altas y agotarán el cloro de la piscina. En algunos casos los nitratos pueden incluso reducir los niveles de cloro a cero. El profesional de piscinas local puede efectuar una prueba de nitratos. Asegúrese de que no haya nitratos presentes en la piscina.
- **Los metales** (algunos metales) pueden provocar pérdida de cloro y manchar la piscina. Pídale al profesional de piscinas local que revise los metales y recomiende métodos de eliminación.
- **No debe haber cloro combinado (cloramina)** presente en el agua de la piscina. Cuando los materiales orgánicos se combinan con cloro libre, se forma cloramina. Esto inmoviliza el cloro libre de la piscina y no permite que el cloro actúe como desinfectante. La cloramina también enturbia el agua de la piscina y produce ardor en los ojos. Aplique el tratamiento de choque para eliminar la cloramina durante el arranque inicial de la piscina.
- **El tratamiento de choque o súper cloración** mejora la habilidad del cloro de oxidar el desecho orgánico al eliminar el cloro combinado (CC). Para medir el cloro combinado (CC), reste el cloro libre (FC) del cloro total (TC). ($TC - FC = CC$).
Para determinar cuánto choque (disolución rápida de cloro) se requerirá para un tratamiento apropiado para su piscina, tendrá que calcular el nivel del cloro al punto de ruptura (BPC). Para determinar el cloro al punto de ruptura (BPC) necesario, multiplique el nivel de cloro combinado (CC) por 10. Luego reste el nivel de cloro libre (FC). A continuación se presenta la fórmula:
$$\text{Cloro al punto de ruptura (BPC)} = ((CC \times 10) - FC)$$

por ejemplo: si $FC=1.0$ ppm y $CC=0.7$ ppm, el nivel de BPC sería de 6.0 ppm. fórmula: $((0.7 \times 10) - 1.0)=6.0$
El profesional de piscinas local puede ayudarle con este cálculo o puede suministrarle kits de prueba que incluyan esta información. Operar su unidad al 100 % por 24 horas también puede ayudarle a lograr una cloración al punto de ruptura. Si persisten una claridad disminuida del agua o evidencia de algas, su distribuidor local de productos para piscinas puede sugerirle pasos adicionales para desinfectar el agua de la piscina y eliminar la cloramina.

NOTA durante el arranque inicial de una piscina, es mejor aplicar el tratamiento de choque usando una fuente alterna; es decir, use un tratamiento de choque disponible con su distribuidor local de productos para piscinas.

Es imprescindible lograr un equilibrio correcto del agua para que disfrute su experiencia con su piscina spa y para asegurar la larga vida de la celda.

- El pH del agua de la piscina o spa es la medida del nivel de acidez del agua, o si permite la formación de escamas. Por lo general el agua fría es más ácida, mientras que el agua caliente es más propensa a la formación de escamas. El rango ideal de pH en una piscina o spa es de 7.4 a 7.6, sin importar la temperatura. Si permite que se eleve el pH sobre 7.6 y el generador de cloro está funcionando, el calcio en el agua puede cubrir las placas metálicas de la celda. Esto podría obstruir el flujo de agua y dar como resultado una reducción en la eficiencia, además de un posible daño en la celda. Si permite que el pH disminuya por debajo de 7.4, el agua se volverá ácida y por lo tanto disolverá los componentes metálicos en el sistema de hidráulica de la piscina, siendo las placas metálicas de la celda el principal objetivo. Hay cinco factores que afectan el pH del agua. Estos son: temperatura, pH, alcalinidad total, dureza del calcio, total de sólidos disueltos (TSD). Cada uno de estos factores desempeña un rol acerca de si el agua es corrosiva o permite la formación de escamas. Para obtener más información sobre este tema, le recomendamos que investigue el índice de saturación de Langelier.
- Total de sólidos disueltos (TSD).** Al agregar sal al agua de la piscina se elevará el nivel de TSD. Aunque esto no afecta de manera adversa en cuanto a la química del agua ni la claridad, la prueba profesional del agua de piscina para TSD debe realizarse teniendo en cuenta que se agregó sal para el sistema de desinfección. El individuo que realice a prueba de TSD tendrá entonces que restar el nivel de salinidad para calcular el nivel de TSD correcto.
- El agua de piscina nueva** en una piscina que se haya llenado o restaurado recientemente puede contener materia indeseable que pudiera interferir con la capacidad del clorador de agua salada de desinfectar correctamente. Asegúrese de que un profesional de piscinas pruebe el agua y que esté balanceada correctamente antes de encender el sistema de cloración. Las nuevas piscinas de yeso tienen una demanda constante de ácido durante seis (6) meses. Realice pruebas frecuentes y mantenga un pH apropiado para evitar la formación de escamas en la celda.

- Índice de Langelier Saturación** es un método estándar para determinar el potencial de su agua de la piscina para ser corrosiva o formando escala. PH, alcalinidad total (TA), la temperatura, la dureza de calcio y sólidos disueltos totales (TDS) juegan un papel en la determinación de la calificación final de la saturación.

Índice de saturación = pH + AF + CF + TF - 12,1					
Factor A = (AF), Factor C = (CF), Factor T = (TF)					
La alcalinidad total		Dureza de Calcio		Temperatura	
Factor A		Factor C		Factor T	
PPM	Factor Valorr	PPM	Factor Valor	°F	Factor Valor
5	= 0,7	5	= 0,9	32	= 0,0
25	= 1,4	25	= 1,0	37	= 0,1
50	= 1,7	50	= 1,3	46	= 0,2
75	= 1,9	75	= 1,5	53	= 0,3
100	= 2,0	100	= 1,6	60	= 0,4
150	= 2,2	150	= 1,8	66	= 0,5
200	= 2,3	200	= 1,9	76	= 0,6
300	= 2,5	300	= 2,1	84	= 0,7
400	= 2,6	400	= 2,2	94	= 0,8
800	= 2,9	800	= 2,5	105	= 0,9

Un índice de saturación de 0 es perfectamente equilibrado
 Un índice de saturación negativo tendencias corrosivas
 Un índice de saturación positiva de las tendencias de escala
 Se prefiere un índice de saturación de 0,3 o 0,3.
 * -12,1 Debe cambiarse a -12,2 si Sólidos Disueltos Totales (TDS) medida a 1.000 ppm o mayor

REMARQUE Un índice de saturación aceptable es entre 0,5 y -0,5. Cuando se trata con un área de superficie, el índice debe mantenerse entre 0,3 y -0,3. Un valor positivo es más aceptable que negativo.

4.4 Condiciones óptimas del agua de la piscina

De conformidad con las normas de la Association of Pool and Spa Professionals® (APSP), recomendamos que se mantengan las siguientes condiciones de balance del agua en forma continua para proteger el acabado de la piscina y su equipo, y para asegurar una apariencia placentera del agua. Se garantiza que el equipo Jandy Pro Series operará correctamente solo si se cumplen las siguientes condiciones:

Cloro libre: los niveles ideales deben ser de 1.0 - 3.0 ppm.

Cloro combinado (cloramina): ninguno. Use el tratamiento de choque (disolución rápida de cloro para eliminar toda la cloramina).

pH: 7.4 - 7.6 (use ácido muriático para reducir el pH y ceniza de soda para elevar el pH).

Estabilizador de cloro (ácido cianúrico): 30 - 50 ppm (para piscinas en exteriores solamente).

Alcalinidad total: 80 - 120 ppm

Dureza del calcio: 200 - 400 ppm

Metales (hierro, manganeso): ninguno

Nitratos: ninguno

Fosfatos: ninguno

Temperatura: superior a 60 °F (16 °C)

4.5 Recolección de una muestra de agua

Para recolectar correctamente una muestra de agua a fin de usarla con su kit de prueba casero o para llevarla a su distribuidor local de productos para piscinas, he aquí algunas sugerencias de buenas prácticas a seguir.

Nunca use contenedores de vidrio en el área de la piscina.

Seleccione una ubicación bastante alejada de las conexiones de retorno que devuelvan el agua a la piscina.

Sujete el contenedor y voltéelo hacia abajo para atrapar el aire; después volteo el contenedor en sentido vertical a 18 pulgadas (46 cm) por debajo de la superficie del agua. Lleve el contenedor a la superficie y tápelo.

4.6 Sal (NaCl Cloruro de sodio)

Cuándo agregar sal

Agregue sal a la piscina si el nivel es demasiado bajo (vea la tabla 1).

Para una piscina nueva o recién restaurada se recomienda esperar al menos 30 días (la superficie debe estar totalmente curada) antes de agregar sal. No haga funcionar el clorador en este momento. Realice una cloración manual de la piscina. Contacte a su concesionario para obtener recomendaciones. Siga los lineamientos del fabricante de la superficie de su piscina específica. En cuanto a las piscinas de vinilo y fibra de vidrio, puede agregarse sal al inicio.

Qué tipo de sal utilizar

- Entre más pura sea la sal, mejor será la vida y el rendimiento de la celda electrolítica. Use una sal que tenga por lo menos una pureza de NaCl del 99.8 %. La sal debe ser no yodada, de calidad alimentaria, granulada y evaporada. Consulte con su tienda de

piscinas.

- Evite usar sal con agentes antiaglomerantes (ferrocianuro de sodio, también conocido como YPS o prusiato amarillo de soda) que puedan provocar cierta decoloración de las conexiones y los acabados de la superficie de la alberca.
- Las pellet de sal para acondicionamiento de agua son formas comprimidas de sal evaporada y pueden usarse, pero tardarán más en disolverse.
- No use** cloruro de calcio como fuente de sal. Use cloruro de sodio solamente.
- No use** sal de roca debido a que las impurezas insolubles mezcladas con la sal de roca pueden acortar el tiempo de vida de la unidad.

Cuánta sal debe utilizar

Use tiras de prueba de salinidad, un medidor de TSD/ salinidad u otro método confiable para probar la salinidad del agua de la piscina. Una vez que se establezca la salinidad existente, use la tabla 1 para determinar la cantidad de sal que se debe agregar para alcanzar el nivel deseado. Tenga cuidado al momento de agregar sal, ya que es más fácil agregar más si es necesario que diluirla si hay demasiada.

- Se recomiendan 3,000 ppm de sal para unas condiciones óptimas del agua.
- Una baja concentración de sal menor a 2,500 ppm provocará una falla prematura de la celda.
- Una alta concentración de sal superior a 6,000 ppm puede provocar daños por corrosión a las conexiones de la piscina.

PRECAUCIÓN



Es importante señalar que ciertos materiales utilizados en y alrededor de las piscinas y spas tal vez no sean compatibles con los químicos que se utilizan comúnmente para purificar el agua de la piscina y spa (por ejemplo, ácidos, cloro, sal, estabilizadores, etc.).

Zodiac Pool Systems, Inc. no garantiza que el agua clorada generada por el dispositivo generador de cloro Jandy® Pro Series no vaya a dañar o destruir ciertos tipos de plantas, cubiertas, coronas y otros materiales en y alrededor de su piscina y/o spa. Antes de seleccionar los materiales a usar en y alrededor de su piscina y/o spa, hable sobre todas las opciones con su contratista para evaluar la compatibilidad de dichos materiales y productos químicos.

Algunas consideraciones útiles pueden ser:

- Seleccione plantas que puedan soportar las salpicaduras de agua que contenga cloro y/o sal y demás químicos de purificación del agua.
- Todos los componentes de metal utilizados en y alrededor de una piscina deben ser de acero inoxidable de alto grado y alta calidad.
- Seleccione con cuidado los productos de mampostería. La porosidad y la dureza de las piedras naturales varía de manera considerable. Por lo tanto le recomendamos consultar con su constructor o contratista experto en piedras en cuanto a la mejor opción para los materiales de piedra alrededor de su piscina o spa.
- Selle todos los productos de mampostería. Los profesionales en la industria de las piedras ornamentales especifican que incluso la piedra natural, en especial si se usa en exterior, debe sellarse para evitar la erosión, el manchado y la degradación prematura. Consulte con su contratista de piedras ornamentales o cubiertas en cuanto al sellador correcto para los productos de mampostería que seleccionó para usar alrededor de su piscina o spa.
- Para resultados óptimos, se deberá volver a aplicar los selladores con regularidad. Vuelva a aplicar el sellador protector siguiendo un cronograma según las instrucciones del fabricante.
- El uso de productos químicos que no sean los recomendados puede ser peligroso. Siga las instrucciones de los fabricantes de productos químicos.

Cómo agregar sal a la piscina

1. Encienda la bomba para circular el agua de la piscina.
2. **IMPORTANTE:** apague el paquete de energía oprimiendo sin soltar el botón de encendido/apagado durante 6 segundos.
3. Pruebe el nivel de salinidad del agua usando tiras de prueba, un medidor electrónico o recurra al profesional de piscinas de su localidad.
4. Use la tabla 1 para determinar la cantidad de sal a agregar. Tenga cuidado al momento de agregar sal, ya que es más fácil agregar más si es necesario que diluirla si hay demasiada.
5. Disperse la sal en la piscina. No agregue a través del desnatador, el drenaje principal o el tanque de compensación. Cepille la sal alrededor de la piscina para facilitar su disolución. Ponga en circulación el sistema de filtración durante 24 horas para asegurar una distribución uniforme.
6. Después de 48 a 72 horas, verifique que haya una lectura de sal correcta probando el nivel de salinidad del agua: use tiras de prueba, un medidor electrónico o recurra al profesional de piscinas de su localidad.
7. Cuando el nivel de salinidad sea correcto, encienda el paquete de energía. Presione los botones   para establecer la tasa de producción deseada.

NOTA para una piscina nueva o recién restaurada se recomienda esperar al menos 30 días (la superficie debe estar totalmente curada) antes de agregar sal. Siga los lineamientos de los fabricantes de la superficie de su piscina específica. En cuanto a las piscinas de vinilo y fibra de vidrio, puede agregarse sal al inicio.

Tabla 1. Libras y kilogramos aproximados de sal necesarios para obtener 3.0 gpl (3,000 ppm)

Nivel de sal actual - ppm	Tamaño de piscina/spa - galones EE.UU. (litros)					
	10,000 g (38,000 L)	15,000 g (57,000 L)	20,000 g (76,000 L)	25,000 g (95,000 L)	30,000 g (114,000 L)	35,000 g (132,000 L)
0	114 kg (250 lb.)	170 kg (376 lb.)	227 kg (501 lb.)	284 kg (626 lb.)	341 kg (751 lb.)	397 kg (876 lb.)
250	104 kg (229 lb.)	156 kg (344 lb.)	208 kg (459 lb.)	260 kg (574 lb.)	312 kg (688 lb.)	364 kg (803 lb.)
500	95 kg (209 lb.)	142 kg (313 lb.)	189 kg (417 lb.)	237 kg (522 lb.)	284 kg (626 lb.)	331 kg (730 lb.)
750	85 kg (188 lb.)	128 kg (282 lb.)	170 kg (376 lb.)	213 kg (469 lb.)	256 kg (563 lb.)	298 kg (657 lb.)
1000	76 kg (167 lb.)	114 kg (250 lb.)	151 kg (334 lb.)	189 kg (417 lb.)	227 kg (501 lb.)	265 kg (584 lb.)
1250	66 kg (146 lb.)	99 kg (219 lb.)	132 kg (292 lb.)	166 kg (365 lb.)	199 kg (438 lb.)	232 kg (511 lb.)
1500	57 kg (125 lb.)	85 kg (188 lb.)	114 kg (250 lb.)	142 kg (313 lb.)	170 kg (376 lb.)	199 kg (438 lb.)
1750	47 kg (104 lb.)	71 kg (156 lb.)	95 kg (209 lb.)	118 kg (261 lb.)	142 kg (313 lb.)	166 kg (365 lb.)
2000	38 kg (83 lb.)	57 kg (125 lb.)	76 kg (167 lb.)	95 kg (209 lb.)	114 kg (250 lb.)	132 kg (292 lb.)
2250	28 kg (63 lb.)	43 kg (94 lb.)	57 kg (125 lb.)	71 kg (156 lb.)	85 kg (188 lb.)	99 kg (219 lb.)
2500	19 kg (42 lb.)	28 kg (63 lb.)	38 kg (83 lb.)	47 kg (104 lb.)	57 kg (125 lb.)	66 kg (146 lb.)
2750	9 kg (21 lb.)	14 kg (31 lb.)	19 kg (42 lb.)	24 kg (52 lb.)	28 kg (63 lb.)	33 kg (73 lb.)
3000	Óptima	Óptima	Óptima	Óptima	Óptima	Óptima

Tabla 2. Libras y kilogramos aproximados de estabilizador necesarios para obtener 50 ppm

Nivel de ácido cianúrico actual - ppm	Tamaño de piscina/spa en galones EE.UU. (litros)					
	10,000 g (38,000 L)	15,000 g (57,000 L)	20,000 g (76,000 L)	25,000 g (95,000 L)	30,000 g (114,000 L)	35,000 g (132,000 L)
0	4.2 lb. (1.9 kg)	6.3 lb. (2.9 kg)	8.4 lb. (3.8 kg)	10.5 lb. (4.8 kg)	12.6 lb. (5.7 kg)	14.8 lb. (6.7 kg)
10	3.4 lb. (1.5 kg)	5.1 lb. (2.3 kg)	6.7 lb. (3.1 kg)	8.4 lb. (3.8 kg)	10.1 lb. (4.6 kg)	11.8 lb. (5.4 kg)
20	2.5 lb. (1.1 kg)	3.8 lb. (1.7 kg)	5.1 lb. (2.3 kg)	6.3 lb. (2.9 kg)	7.6 lb. (3.4 kg)	8.9 lb. (4.0 kg)
30	1.7 lb. (0.8 kg)	2.5 lb. (1.2 kg)	3.4 lb. (1.5 kg)	4.2 lb. (1.9 kg)	5.1 lb. (2.3 kg)	5.9 lb. (2.7 kg)
40	0.8 lb. (0.4 kg)	1.3 lb. (0.6 kg)	1.7 lb. (0.8 kg)	2.1 lb. (1.0 kg)	2.5 lb. (1.2 kg)	3.0 lb. (1.3 kg)


NOTA: para piscinas de interiores no es necesario agregar estabilizador de cloro al agua de la piscina.

Sección 5. Instrucciones de operación

⚠ ADVERTENCIA

Para evitar daños en propiedad, lesiones graves o la muerte, no ponga a funcionar la celda electrolítica sin circulación de agua. Una concentración de gases inflamables puede generar un INCENDIO o EXPLOSIÓN. Se debe interconectar el paquete de energía con la fuente de alimentación del motor de la bomba de la piscina, para asegurar que el clorador solo opere cuando esté funcionando la bomba de la piscina.

5.1 Panel de control



Esto controla el modo operacional del clorador entre auto y espera.

- En modo Auto, el sistema producirá cloro cuando esté encendido y cuando detecte flujo a través de la celda.
- En modo Standby (espera) el sistema NO producirá cloro, incluso cuando la bomba esté funcionando y el sistema detecte flujo a través de la celda.

En operación normal, las flechas arriba y abajo se usan para establecer el nivel de producción del clorador. Se debe ajustar la producción para lograr el nivel deseado de cloro libre disponible de 2 a 4 ppm.


El botón de retroceso/guardado guardará los cambios que usted haya realizado en el menú y lo enviará de vuelta a la pantalla del menú anterior.

El botón de selección se desplazará a través de los parámetros disponibles y los abrirá para editarlos.

Figura 7. Panel de control en el paquete de energía

5.2 Encendido/apagado del paquete de energía (en forma manual)

Para encender o apagar el dispositivo generador de cloro

Jandy Pro Series, presione el botón. 

Si lo presiona rápidamente el clorador se pondrá en modo de “espera”. Si está en modo de “espera” y presiona rápidamente el botón, regresará al modo de “cloración”. Si se mantiene presionado durante 6 segundos, el clorador se apagará por completo.

NOTA Puesto que el paquete de energía está conectado a la fuente de alimentación de la bomba, el paquete de energía solo puede encenderse cuando se enciende la bomba.

5.3 Encendido/apagado del paquete de energía (uso del temporizador externo de la bomba)

Si se conecta el paquete de energía al temporizador externo de la bomba y se enciende la unidad, el paquete de energía se encenderá y apagará automáticamente cuando la bomba se encienda y apague (vea la sección 3.5). Cuando el paquete de energía se conecte como tal, la única configuración que debe ajustarse en forma manual es el nivel de producción de cloro (vea la sección 5.4).

5.4 Configuración del nivel de producción de cloro

Al configurar el nivel de producción de cloro, los factores que se deben considerar son:

- número de galones en la piscina
- número de bañistas (carga de bañistas)
- cantidad de polen y polvo que entra al agua
- número de horas que funciona la bomba
- si utiliza una bomba de una velocidad o de velocidad variable
- la temperatura del clima y del agua
- la cantidad de lluvia que entra a la piscina.

Un buen punto inicial para las piscinas de 15 mil galones o menos debe ser el 40 %. Las piscinas entre 25 y 30 mil galones deben usar el 60 % como punto inicial.

Si descubre que estos niveles no producen los 1 - 3 PPM de cloro residual deseados, entonces eleve el nivel de producción para compensar.

Si descubre que el nivel de producción se acerca a un valor entre el 90 % y el 100 % y la prueba del agua de la piscina no muestra cloro residual o su valor es muy bajo, tal vez necesite aplicar un tratamiento de choque manual a su piscina debido a una carga de desecho que se haya acumulado en el agua de la piscina y que esté sobresaturando el cloro que suministra a la piscina. Otra causa podría ser la falta de niveles apropiados de ácido cianúrico (CYA) para proteger el cloro de los rayos UV del sol.



NOTA La unidad funciona solo cuando su bomba está funcionando. Un mayor tiempo de funcionamiento de la bomba producirá más cloro en el agua.

Con todas las variables antes mencionadas, puede tomarle un par de semanas encontrar la tasa de producción correcta para su piscina.


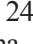

Para ajustar el nivel de producción, siga estos pasos:




1. Encienda el paquete de energía presionando el botón.



2. Presione los botones  y  para llegar al nivel de producción deseado. El ajuste mínimo es del 10 %. La producción puede ajustarse en incrementos de 10 % hasta el 100 %. Esto controla la cantidad de tiempo de funcionamiento para la celda.

5.5 Modo BOOST/LOW (REFUERZO/BAJO)

El modo BOOST (refuerzo) puede usarse para maximizar la producción de cloro durante un período de tiempo corto. Para activar el modo BOOST (refuerzo), presione los botones  y  al mismo tiempo. El refuerzo se activará después de 24 horas. Para desactivar el modo BOOST (refuerzo) en forma manual, presione el botón .

El modo LOW (bajo) puede usarse para minimizar la producción de cloro cuando se active. Para activar el modo LOW (bajo), presione los botones  y  al mismo tiempo. El modo LOW (bajo) permanecerá activado de manera indefinida. Para desactivar el modo LOW (bajo), presione el botón .

5.5 Inversión de polaridad

El dispositivo generador de cloro Jandy Pro Series es una celda de polaridad reversible, lo cual significa que la celda cambiará en forma periódica su polaridad para ayudar a prevenir la acumulación de calcio en sus placas. Esto se conoce algunas veces como función automatizada de limpieza de la celda. Durante la transición entre el cambio de polaridad hay un breve período cuando la celda no produce nada de cloro. Una vez que cambie de polaridad, continuará produciendo cloro.

NOTA Aparecerá el mensaje 'CLEANING' (limpieza) en la pantalla durante el período de 'WAIT' (espera). El indicador de nivel de producción permanecerá como se configuró durante el período de limpieza.

5.6 Batería de respaldo

El paquete de energía está equipado con una batería de respaldo. En caso de que la batería pierda su carga, el microprocesador en la unidad conservará los siguientes ajustes de manera permanente:

- Horas de operación
- Horas de celda
- Ajuste del controlador

Sección 6. Instrucciones de mantenimiento

Antes de dar servicio al dispositivo generador de cloro Jandy Pro Series, asegúrese de leer y entender la sección Instrucciones de seguridad importantes.

IMPORTANTE Pruebe siempre los niveles de cloro de su piscina antes de cada uso. Durante un uso intensivo, como cuando pueda haber tres o más personas en la piscina, la carga adicional de bañistas puede agotar rápidamente el cloro y requerir que se agregue más para mantener los niveles correctos de cloro libre. Supervise el cloro de cerca y tome las medidas apropiadas para mantener el residuo de cloro libre recomendado de 1 - 3 ppm.

6.1 Semanal

1. **Prueba de cloro.** Pruebe el nivel de cloro del agua de la piscina con un kit de prueba confiable. Mantenga un rango ideal ajustando el nivel de producción de cloro en el paquete de energía (vea la sección 5.4) o, si es necesario, complemente el clorador con cloro seco o líquido adicional. El nivel de cloro libre recomendado es de 1 a 3 ppm. Consulte la sección 4.5 para las instrucciones sobre cómo recolectar una muestra de agua.

NOTA: nunca use contenedores de vidrio en el área de la piscina. Seleccione una ubicación que esté bastante alejada de las conexiones de retorno que llevan agua de vuelta a la piscina.

2. **Prueba del nivel de pH.** Pruebe el nivel de pH de su piscina con un kit de prueba. Si es necesario, ajuste para mantener un nivel de pH de 7.4 a 7.6 (vea la sección 4.3).

PRECAUCIÓN

Nunca use ácido seco para ajustar el pH en áreas geográficas áridas con evaporación excesiva y dilución mínima del agua de la piscina con agua limpia. Una concentración de productos derivados puede dañar la celda electrolítica.

3. **Prueba de alcalinidad total.** Pruebe la alcalinidad total del agua con un kit de prueba. Tome los pasos necesarios para mantener una alcalinidad de 80 a 120 ppm (vea la sección 4.3).
4. **Dureza del calcio.** Pruebe el nivel de dureza del calcio del agua de la piscina usando un kit de prueba o pida a un profesional de piscinas que pruebe una muestra de agua. Ajuste según sea necesario para mantener una dureza del calcio de 175 a 400 ppm (vea la sección 4.3).

6.2 Mensual

1. **Verifique la celda.** Se recomienda inspeccionar la celda cada mes en busca de escamas y/o depósitos de calcio. Los depósitos crujientes de color claro que se conocen como escamas se forman en el agua excesivamente dura o debido a que el agua de la piscina está desbalanceada. Luego de la instalación del dispositivo de generación de cloro Jandy Pro Series, revise la celda una vez al mes en busca de presencia de escama. Sujete el grupo de placas contra una fuente de luz, de modo que esta pueda verse a través de las placas. Si la luz puede verse fácilmente a través de las placas y/o hay una pequeña cantidad de escama visible, la celda no necesita limpiarse. Vuelva a instalarla. Por otra parte, si la luz apenas puede verse a través de las placas o si está totalmente bloqueada por la escama,

entonces hay que limpiar la celda. Vea la sección 6.3 para las instrucciones.

Una limpieza excesiva puede acortar la vida de su celda.

2. **Prueba de nivel de sal.** Use tiras de prueba de salinidad, un medidor de TSD/salinidad u otro método confiable para probar la salinidad del agua de la piscina. Una vez que se establezca la salinidad existente, use la tabla 1 para determinar la cantidad de sal que se debe agregar para alcanzar el nivel deseado. Tenga cuidado al momento de agregar sal, ya que es más fácil agregar más si es necesario que diluirla si hay demasiada. Si el nivel de salinidad de la piscina es correcto y la luz LED de sal no se apaga, vea la sección 7. Diagnóstico y localización de averías.
3. **Muestra de agua de la piscina.** Lleve la muestra de agua a la tienda de piscinas de su localidad para que la prueben.
4. **Estabilizador (ácido cianúrico).** Pruebe el nivel del estabilizador de agua de la piscina (ácido cianúrico) usando un kit de prueba o pida a un profesional de piscinas que pruebe una muestra de agua. Mantenga un rango ideal de 30 a 50 ppm. Siga las recomendaciones del profesional de piscinas. En piscinas para interiores, no es necesario agregar estabilizador de cloro al agua de la piscina.
5. **Prueba de metales.** Se recomienda probar el agua de la piscina en forma periódica, en busca de presencia de metales como hierro y manganeso. Estos metales no deben estar presentes en el agua de la piscina. Si están presentes esos metales, contacte al profesional de piscinas de su localidad.

6.3 Limpieza de la celda

⚠ PRECAUCIÓN

Desconecte la alimentación eléctrica del sistema en el disyuntor de circuito principal antes de realizar este procedimiento para evitar un riesgo de descarga eléctrica que puede provocar daños en propiedad, lesiones severas o la muerte.

Si la celda tiene tendencia a formar escamas, se recomienda quitar la celda cada mes e inspeccionarla en busca de formación de escama y/o residuos. Algunos filtros permiten el paso de residuos a la celda, los cuales pueden atascarse entre las placas de la celda. Es normal que haya una pequeña cantidad de escamas. Si al ver a través de la celda observa que hay una formación excesiva de escamas entre las placas o si hay residuos presentes, hay que limpiar la celda de la siguiente manera:

1. Asegúrese de que toda la alimentación hacia el paquete de energía y el controlador se desconecte en el disyuntor del circuito.
2. Antes de retirar la celda para limpiarla, apague las válvulas necesarias para evitar pérdida de agua.
3. Abra la válvula de alivio de aire en el filtro para liberar la

presión en el sistema de la piscina.

4. Afloje el anillo y quite la celda.



5. Utilice lentes protectores y guantes para agregar una (1) parte de ácido muriático en diez (10) partes de agua en una cubeta pequeña y mezcle la solución limpiadora.

⚠ PRECAUCIÓN

- Cuando limpie la celda, use gafas protectoras y guantes.
- Cuando mezcle ácido con agua, prepare la solución **AGREGANDO SIEMPRE EL ÁCIDO AL AGUA. NUNCA AGREGUE EL AGUA AL ÁCIDO.**
- Nunca use ácido muriático sin diluir. Use siempre la mezcla recomendada de ácido muriático y agua.

6. Sumerja la celda en la solución limpiadora; mantenga el anillo de fijación y el cable fuera de la solución limpiadora.



7. A continuación se producirá una acción espumosa, la cual es provocada por la disolución de la escama (carbonato de calcio) de las placas. Si no comienza a hacer espuma, entonces no es necesario limpiar la celda (DETenga el proceso de limpieza; vaya al paso 10). De lo contrario permita que la celda permanezca en la solución hasta que se haya detenido la espuma (aproximadamente de 5 a 10 minutos).

NOTA No use un destornillador ni cualquier otro objeto metálico para retirar los depósitos de calcio.

8. Enjuague la celda con agua limpia y realice la

inspección de nuevo. Si aún hay una cantidad considerable de obstrucción, vuelva a sumergir las placas en la solución limpiadora, enjuague e inspeccione otra vez.

9. Una vez que limpie la celda, deseche la solución de conformidad con las regulaciones locales.
10. Enjuague la celda minuciosamente con agua limpia de la llave e inspeccione. Si hay depósitos todavía visibles en la celda electrónica, repita el paso 6.

NOTA Un lavado de ácido excesivo dañará la celda electrolítica.
No deje la celda en ácido por más de 30 minutos.

10. Una vez que la celda esté limpia, vuelva a instalarla como se describe en la sección 3.4.

6.4 Preparación para el invierno

NOTA No use etilenglicol (anticongelante) en el sistema.

Se necesita muy poco cloro en agua fría. No se recomienda la operación del clorador debajo de 55 °F (13 °C). Operar el clorador en agua fría puede acortar de manera drástica la vida de la celda.

Si no se toman medidas preventivas, el agua congelada puede provocar daños severos a la celda. Para evitar que la celda se dañe por congelamiento haga funcionar la bomba en forma continua o prepare la piscina para el invierno drenando el agua de la bomba, el filtro y todas las líneas de admisión y de retorno. Quite la celda, límpiela y almacénela en el interior.

Puede comprar un tapón de preparación para el invierno (R0621900) para reemplazar la celda durante la preparación para el invierno o el mantenimiento de la celda. Esto permitirá que la bomba de la piscina ponga el agua en circulación con la celda fuera de la línea.

Durante períodos prolongados cuando el agua esté a menos de 55 °F (13 °C), hay que apagar la unidad y usar un flotador de cloro o alimentador de erosión, colocando un pequeño número de tabletas en cualquiera de estos dispositivos hasta que aumente la temperatura del agua. Hacer esto alargará la vida de la celda y proveerá un mejor rendimiento cuando las condiciones del agua sean más óptimas.

Sección 7. Diagnóstico y solución de problemas

ADVERTENCIA

Apague siempre la bomba antes de intentar un servicio o reparación. Su sistema de bomba y filtro funciona bajo presión y la presión debe liberarse antes de comenzar a trabajar, para evitar daños al sistema o lesiones personales. Abra la válvula de alivio de aire en el filtro de su piscina para liberar la presión en el sistema.

7.1 Problemas y acción correctiva

Problema	Posible causa	Acción correctiva
Nivel de cloro bajo o cero.	Nivel de estabilizador (ácido cianúrico) bajo en el agua de la piscina (para piscinas de exteriores solamente).	Agregue estabilizador para mantener de 30 a 50 ppm (vea la tabla 2).
	Horas de operación insuficientes de la unidad.	Incremente el tiempo de operación del sistema por día.
	El porcentaje de producción de cloro se estableció en un valor demasiado bajo.	Incremente la producción de cloro presionando el botón Output (producción) (vea la sección 5.4).
	Pérdida temporal de cloro debido a una carga orgánica pesada: lluvia, hojas, fertilizante o mucha carga de bañistas. Las mascotas usan la piscina.	Ajuste la producción de cloro al 100 % y configure la bomba y la celda para que funcionen por 24 horas. Después de 24 horas, vuelva a revisar los niveles de cloro. Si aún es demasiado bajo, haga un tratamiento de súper cloración con una fuente alterna para lograr la cloración al punto de ruptura (BPC). El distribuidor de piscinas de su localidad puede ayudarle con esto si le lleva una muestra del agua.
	Nivel bajo de sal (menos de 3,000 ppm) en el agua de la piscina.	Use tiras de prueba de salinidad, un medidor de TSD/salinidad u otro método confiable para probar la salinidad del agua de la piscina. Una vez que se establezca la salinidad existente, use la tabla 1 para determinar la cantidad de sal que se debe agregar para alcanzar el nivel deseado. Mantenga un nivel de salinidad de 3,000 ppm.
	Alto nivel de nitratos.	Contacte a un profesional de piscinas.
	Metales presentes en el agua de la piscina.	Contacte a un profesional de piscinas.
	Agua de piscina nueva. No se aplicó un tratamiento de choque apropiado al momento del arranque.	Aplique un tratamiento de súper cloración en la piscina.
	Celda obstruida o sucia.	Retire la celda para inspeccionarla y límpiela si es necesario (vea la sección 6.3).

Problema	Posible causa	Acción correctiva
Nivel de cloro demasiado alto. (sobre 7.0 PPM)	El porcentaje de producción de cloro está ajustado en un nivel demasiado alto.	Reduzca la tasa de producción de cloro presionando el botón Output (producción) (vea la sección 5.4).
	El paquete de energía y la celda se encendieron demasiado tiempo.	Si la salida del cloro se establece en el ajuste más bajo y proporciona niveles de cloro excesivos de manera consistente, reduzca el tiempo de operación lo más que sea necesario.
La pantalla LCD no visualiza nada (pantalla en blanco).	No hay alimentación eléctrica para la unidad.	Revise la conexión al temporizador de la bomba (vea la sección 3.5). Verifique si se disparó la protección de GFCI.
La pantalla indica "No Flow" (no hay flujo). Esto se debe a un flujo de agua insuficiente a través de la celda. NOTA Cuando el indicador de flujo esté encendido, se desactivará la producción de cloro.	La pantalla indica "No Flow" (no hay flujo). Esto se debe a un flujo de agua insuficiente a través de la celda. NOTA Cuando el indicador de flujo esté encendido, la producción de cloro se desactivará.	Revise y limpie la bomba y las canastillas del desnatador.
	Filtro sucio.	Limpie el filtro.
	Válvulas cerradas.	Revise y corrija todas las alineaciones de las válvulas.
	La bomba no suministra un flujo de agua suficiente.	Revise que la bomba funcione correctamente. Asegúrese de que la bomba tenga el tamaño apropiado para el caudal requerido.
La pantalla indica "Lo Tmp/Lo Salt" (temperatura baja/nivel bajo de sal). NOTA Las lecturas de salinidad se realizan durante el encendido y al invertir polaridad. La advertencia de sal se activará cuando el nivel de sal disminuya por debajo de 2,500 ppm y permanecerá encendida hasta que el nivel de sal aumente a 3,000 ppm o un poco más.	El nivel de sal está muy por debajo de 2,500 ppm, dependiendo de la temperatura del agua. Concentración de calcio en la celda	Mantenga un nivel de salinidad de 3,000 a 3,500 ppm (consulte la sección 4.6 o contacte al profesional de piscinas de su localidad). Limpie la celda
	Expiró la vida de la celda.	Reemplace la celda.
	Una combinación de temperatura baja del agua (35 °-65 °F / 2 °-18 °C) y niveles bajos de sal (1,500 a 2,000 ppm).	Revise el nivel de sal en el agua de la piscina. Si el nivel está entre 3,000 a 3,500 ppm, no hay que realizar ninguna acción. Si los niveles de sal son menores a 2,500 ppm, eleve el nivel de salinidad a 3,000 a 3,500 ppm (vea la sección 4.6). NOTA Los niveles de sal superiores a 4,500 ppm pueden provocar daños por corrosión.

Problema	Posible causa	Acción correctiva
Aparece "Output Fault" (falla de producción) en la pantalla.	Fuente de alimentación.	Apague el paquete de baterías y consulte al profesional de cuidado de piscinas de su localidad.

Problema	Posible causa	Acción correctiva
Nivel de sal demasiado alto.	Se agregó demasiada sal a la piscina. Hay residuos de metal atrapados entre las placas o las placas de la celda que pueden estar en contacto.	Verifique los niveles de sal mediante una prueba. Use el método más confiable disponible; por ejemplo, lleve una muestra al distribuidor de piscinas antes de realizar una acción de dilución. Haga un retrolavado o drene parcialmente la piscina y diluya con agua fresca hasta que la salinidad regrese a un valor entre 3,000 a 3,500 ppm. Use la posición "Waste" (desecho) o "Drain" (drenaje) en los filtros equipados con válvulas multipuerto. Utilizar también un sistema de sifón con un par de mangueras de jardín hacia un desagüe en la calle puede dar buenos resultados. No aplique el retrolavado ya que esto podría dañar el filtro. Monitoree de cerca el nivel de agua si la bomba está funcionando. Elimine los residuos atrapados entre las placas, usando una manguera de jardín bajo una presión moderada. Si las placas están sueltas y hacen contacto entre sí, reemplace la celda.

Problema	Posible causa	Acción correctiva
Nivel de sal demasiado bajo.	No se agregó suficiente sal a la piscina.	Agregue sal a la piscina hasta que la salinidad regrese a 3,000 ppm (vea la sección 4.6).
	Fuga en la piscina.	Repare la piscina.

Problema	Posible causa	Acción correctiva
Fuerte olor a cloro.	Presencia de cloramina en exceso (cloro combinado). El cloro es oxidante, lo que significa que el desecho orgánico se elimina del agua hacia el aire. Los olores fuertes son parte de este proceso. Si estos olores persisten por más de 12 horas, lleve una muestra de agua al distribuidor de piscinas de su localidad.	Aplique un tratamiento de choque manual en su piscina (vea la sección 4.3).

Problema	Posible causa	Acción correctiva
Agua turbia, paredes viscosas de la piscina.	Crecimiento combinado de algas y bacterias.	Cepille las paredes afectadas hacia abajo y luego aplique un tratamiento de choque manual en la piscina (vea la sección 4.3).

Problema	Posible causa	Acción correctiva
Irritación de ojos y/o piel.	Balance de agua inadecuado.	Balancee el agua a los niveles recomendados en la sección 4.4.
	Altos niveles de cloramina	Eleve la tasa de producción al 100 % y haga funcionar la bomba por 24 horas.

Problema	Posible causa	Acción correctiva
Formación de escamas en el equipo de la piscina.	Un pH incorrecto provoca que los minerales se salgan de la solución.	Ajuste la alcalinidad total a 80 a 120 ppm. Después ajuste el pH a un valor dentro del rango de 7.4 a 7.6 (vea la sección 4.4).
NOTA Para limpiar el depósito (escama) en la celda, vea la sección 6.3.	Alto nivel de dureza del calcio.	Diluya el agua de la piscina con agua fresca. Consulte con su profesional de piscinas en cuanto al uso de un agente secuestrante.

Sección 8. Lecturas de la pantalla

8.1 Razones y descripciones de la pantalla

Lectura de pantalla	Razón	Descripción
EN	Idioma de inicio	Es el acrónimo que debe aparecer durante la pantalla de inicio de 3 segundos.
Español	Idioma	Idioma seleccionado/disponible para el usuario. La producción se desactiva (OFF) mientras se realiza la selección.
Standby (espera)	Standby (espera)	Cuando el sistema está listo y en espera del siguiente ciclo de cloración válido sin errores. La producción se desactiva (OFF).
Cloración	Cloración	Cuando el sistema opera dentro de un ciclo de cloración válido sin errores. La producción está activada (ON).
Limpieza	Inversión de polaridad	Cuando el sistema opera dentro de un ciclo de cloración válido y el temporizador del ciclo de trabajo expiró. La producción se desactiva (OFF).
Hi Temp/Hi Salt (temperatura alta/alto nivel de sal)	Conductividad alta del agua	Cuando el sistema detecta una conductividad alta del agua, esto podría deberse al agua tibia, niveles altos de sal o una combinación de estas dos razones. Revise el nivel de sal. La producción está activada (ON).
Lo Temp/Lo Salt (temperatura baja/bajo nivel de sal)	Baja conductividad del agua	Cuando el sistema detecta una conductividad baja del agua, esto podría deberse al agua fría, bajos niveles de sal o una combinación de estas dos razones. Revise el nivel de sal. La producción está activada (ON).
No Flow (sin flujo)	Sin flujo	Cuando el sistema detecta una ausencia de flujo durante la operación dentro de un ciclo de cloración válido. La producción se desactiva (OFF).
Revise la celda	Sobrecarga de la celda	Cuando el sistema funciona dentro de una ventana de cloración válida y detecta un cortocircuito o la sobrecarga de la celda. Diseñado para advertir al usuario o personal de servicio. La producción se desactiva (OFF).
	Circuito abierto de celda	Cuando el sistema funciona dentro de una ventana de cloración válida y detecta un circuito abierto o la desconexión de la celda. Diseñado para advertir al usuario o personal de servicio. La producción está desactivada pero se realiza un reintento cada 30 segundos.
Over Temp (sobrecalentamiento)	Controlador sobrecalentado	<p>El controlador detecta la temperatura interna y puede reducir la energía de producción como característica de protección automática.</p> <p>A 70 °C (en interior) la potencia de producción para la celda se reduce al 50 % (no aparece ningún mensaje).</p> <p>A 80 °C (en interior) la potencia de producción para la celda se reduce al 0 % (APAGADO) y se muestra este error de sobrecalentamiento. La producción se desactiva (OFF).</p> <p>Diseñado para advertir al usuario o personal de servicio de un sobrecalentamiento.</p> <p>Confirme que este mensaje de advertencia desaparezca automáticamente cuando la temperatura interna disminuya a menos de 80 °C.</p>

Zodiac Pool Systems, Inc.
2620 Commerce Way, Vista, CA 92081
1.800.822.7933 | www.ZodiacPoolSystems.com

Zodiac Pool Systems Canada, Inc.
2115 South Service Road West, Unit 3 Oakville (ON) L6L 5W2
+ 1 (888) 647-4004 | www.ZodiacPoolSystems.ca



ETL LISTED
CONFORMS TO
UL STD 1081
Certified to
CAN/CSA C22.2
No. 218.1

*ZODIAC® es una marca registrada de Zodiac International, S.A.S.U., usada bajo licencia.
All trademarks referenced herein are the property of their respective owners.*

©2015 Zodiac Pool Systems, Inc. H0470600_REVB