



# Product Specifications - Written

**Product Name:** Legacy Launch Starting Platform

**Part Number:** LAUNCH-SP-9999A

**General Notes:**

The **Legacy Launch Starting Platforms** are designed for use on competitive pools. The weldment is stainless steel and is powder coated for corrosion resistance. The anchor wedge is replaceable and is designed to provide maximum stability. This platform can be fabricated to fit most any pooldeck and water height dimension. The wedge is easily adjustable, including the ability to tuck underneath the platform top when its use is not in use.

**Application:**

Depending upon installation design and local codes, this model is suitable for use on competitive pools. The deck to water level dimension and desired setback determine what configuration should be ordered.

**Specifications:**

- 1 Platform Top: The platform is constructed of a gel coat outer skin and a non-slip, sanded tread over a solid laminated board covered with hand-laid fiberglass and resin roving. The platform is mounted onto the weldment at a 10° angle. The platform dimensions are 24" x 32" (609.60mm x 812.80mm).
- 2 Wedge: The angular wedge is constructed of stainless steel, with a powder coating finish to protect against corrosion. The wedge also has a non-slip, sanded tread to insure grip. The wedge is contained within anodized aluminum tracks mounted to either side of the platform; which allow it to slide to the desired distance or to be stowed underneath.
- 3 Platform Frame: The Legacy platform frame is constructed of 2.5 in<sup>2</sup> (63.5mm<sup>2</sup>) x .120 in (3.05mm) wall stainless steel tubing. The footboard and backstroke bar are attached to 1.5 in<sup>2</sup> (38.10mm<sup>2</sup>) x .065 in wall (1.65mm) stainless steel tubing and have caps welded to the ends. A backstroke bar constructed of 1.00" O.D. x .065 wall (25.40mm x 1.65) stainless steel tubing is also capped with stainless steel. The gussets and footboard plate are made of .188" (4.76mm) stainless steel. The frame is powder coated for added corrosion resistance in any of our standard colors; custom colors are also available for an additional fee.
- 4 Step: The step is constructed of an acrylic skin and a non-slip, sanded tread over a solid laminated board covered with hand-laid fiberglass and resin roving. The step dimensions are 8" x 12" (203.20mm x 304.80mm).
- 5 Escutcheon: The square escutcheon plate is stamped from .063" (.58mm) polished 304 series stainless steel. The outer dimensions are 5" x 5 x 1/2 (127mm x 127 x 12.70). The escutcheon is powder coated to match the platform frame.
- 6 Rock Solid<sup>tm</sup> Anchor: (p/n 27-107, not shown see spec sheet for SRS-920) This single post anchor assembly is specially designed to prevent rocking and the liner can be replaced when worn. The assembly consists of a housing constructed of 4.00 in<sup>2</sup> (101.60mm<sup>2</sup>) x .120" wall (3.05mm) stainless steel tubing welded onto a 4.5 in<sup>2</sup> (114.30mm<sup>2</sup>) flange. The anchor is threaded and comes with a 1/4-20 UNC stainless steel grounding screw for bonding. The insert is made of urethane resin to facilitate removal of the platform. A flush mount stainless steel cap is provided to use when the platform is temporarily removed.

**Shipping weight:** N/A.

Specification Number:	SRS-312		<b>S.R. Smith, LLC</b> P.O. Box 400, 1017 SW Berg Parkway Canby, Oregon 97013 Tel: (800) 824-4387 (503) 266-2231 Fax: (503) 266-4334 www.srsmith.com
Product Description:	Legacy Launch Starting Platform		
S.R. Smith Part Number:	LAUNCH-SP-9999A		
Revision:	C	Date: 08/08/13	
Written By:	M. Kaiel	Date: 1/18/12	
Approved By:		Date:	
Page 2 of 2	Proprietary and confidential: The information contained in this specification is the sole property of S.R. Smith LLC. Any reproduction in part or whole without the written consent of S.R. Smith LLC is prohibited.		

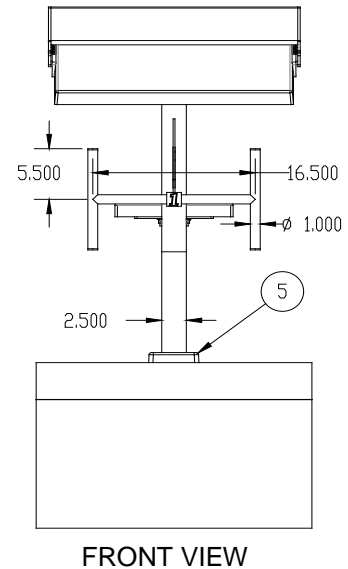
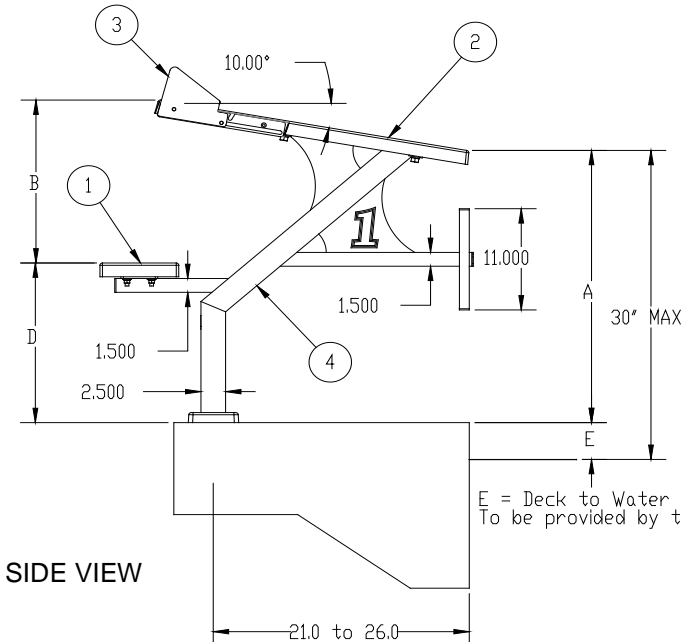


# Product Specifications - Drawing

## Legacy Launch Starting Platform

MODEL NUMBER	A*	B	C	D
LAUNCH 26-30	30	16.62	18.00	18.25
LAUNCH 26-29.5	29.5	16.62	17.50	17.75
LAUNCH 26-29	29	16.62	17.00	17.25
LAUNCH 26-28.5	28.5	16.62	16.50	16.75
LAUNCH 26-28	28	16.62	16.00	16.25
LAUNCH 26-27.5	27.5	16.62	15.50	15.75
LAUNCH 26-27	27	16.62	15.00	15.25
LAUNCH 26-26.5	26.5	16.62	14.50	14.75
LAUNCH 26-26	26	16.62	14.00	14.25
LAUNCH 26-25.5	25.5	16.62	13.50	13.75
LAUNCH 26-25	25	16.62	13.00	13.25
LAUNCH 25-24.5	24.5	14.66	12.50	14.75
LAUNCH 25-24	24	14.66	12.00	14.25
LAUNCH 24-23.5	23.5	14.16	11.50	14.25
LAUNCH 24-23	23	14.16	11.00	13.75
LAUNCH 23-22.5	22.5	12.91	10.50	14.50
LAUNCH 23-22	22	12.91	10.00	14.00
LAUNCH 23-21.5	21.5	12.91	9.50	13.50
LAUNCH 23-21	21	12.91	9.00	13.00
LAUNCH 23-20.5	20.5	12.91	8.50	12.50
LAUNCH 23-20	20	12.91	8.00	12.00
LAUNCH 22-19.5	19.5	11.91	7.50	12.50
LAUNCH 22-19	19	11.91	7.00	12.00
LAUNCH 22-18.5	18.5	11.91	6.50	11.50
LAUNCH 21-18	18	10.66	6.00	12.25
LAUNCH 21-17.5	17.5	10.66	5.50	11.75
LAUNCH 21-17	17	10.66	5.00	11.25

\*NOMINAL DIMENSION



Specification Number:	<b>SRS-312</b>		
Product Description:	<b>Legacy Launch Starting Platform</b>		
S.R. Smith Part Number:	<b>LAUNCH-SP-9999A</b>	Scale:	NTS
Revision:	B	Date:	08/08/13
Written By:	M. Kaiel	Date:	10/11/11
Approved By:			
Page 1 of 2	Proprietary and confidential: The information contained in this specification is the sole property of S.R. Smith LLC. Any reproduction in part or whole without the written consent of S.R. Smith LLC is prohibited.		

**S.R. Smith, LLC**  
P.O. Box 400, 1017 SW Berg Parkway  
Canby, Oregon 97013  
Tel: (800) 824-4387 (503) 266-2231  
Fax: (503) 266-4334  
www.srsmith.com