

10" ROUND MOFLOW[™] SUCTION OUTLET COVER AND MUD FRAME

VGB Series

The AquaStar line of suction outlet covers, compliant with the Virginia Graeme-Baker Pool and Spa Safety Act (ANSI/APSP 16-2011 and NSF/ANSI 50-2009a)

FEATURES

For single or multiple drain use
3" sump depth
(see installation instructions)

Single –

Floor: 158 GPM at 1.6 fps
Wall: 162 GPM at 1.7 fps

Floor/wall: 146.3 GPM at 1.5 fps
Floor/wall: 97.6 GPM at 1.0 fps

31.3 square inch opening

Additional sump versions
also available

#316 stainless steel screws

Manufactured from superior
UV-resistant engineered polymers

Meets or exceeds ANSI/APSP 16-2011 and
NSF/ANSI 50-2009a national standards
and ASTM G154 UV testing

Replace every five years from the date
of installation

8 per case



Part # 10MFxxx

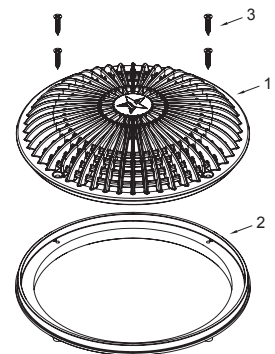
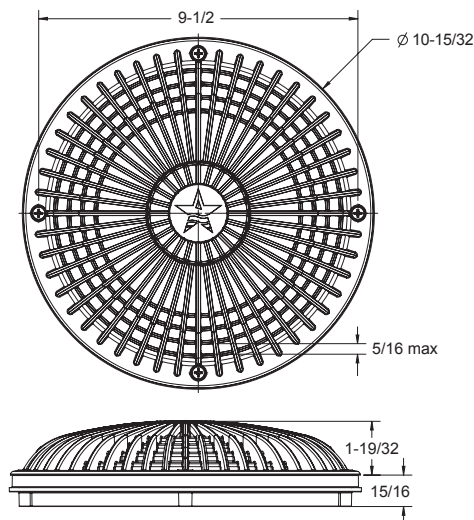
Fits: AquaStar (all standard 10" models),
Waterway and Color Match (CMP).
At least two mud frame screws must be used to secure cover.

STANDARD COLORS

- 10MF101 – White
- 10MF102 – Black
- 10MF103 – Light Gray
- 10MF104 – Blue
- 10MF105 – Dark Gray
- 10MF108 – Tan

Replaces p/n 10AVWRxxx

VGB 2008 Compliant

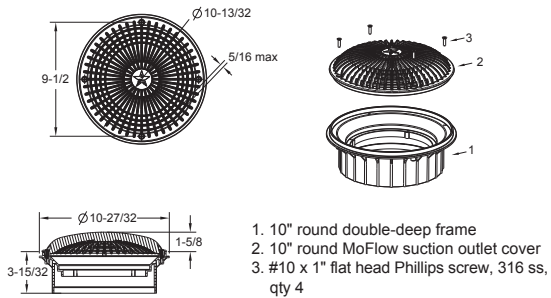


1. 10" round MoFlow suction outlet cover
2. 10" round mud frame
3. #10 x 1" lg flat head Phillips
Type A screw, 316 ss, qty 4

ADDITIONAL PRODUCT CONFIGURATIONS FOR 10MFXX

Double-Deep Sump

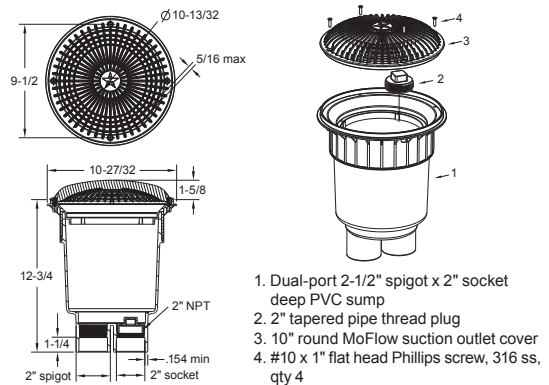
Part #
10MFxxxA
4 per case



1. 10" round double-deep frame
2. 10" round MoFlow suction outlet cover
3. #10 x 1" flat head Phillips screw, 316 ss, qty 4

Dual-Port 2 1/2" Spigot x 2" Socket Deep PVC Sump

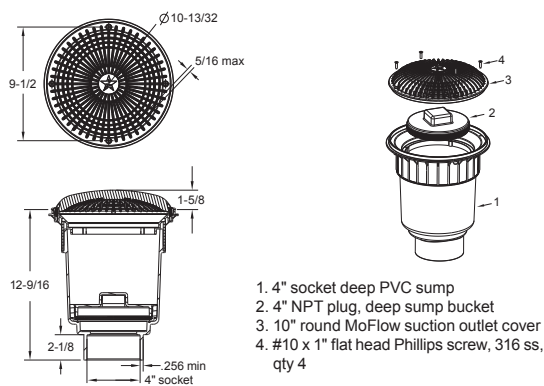
Part #
10MFxxxB
4 per case



1. Dual-port 2-1/2" spigot x 2" socket deep PVC sump
2. 2" tapered pipe thread plug
3. 10" round MoFlow suction outlet cover
4. #10 x 1" flat head Phillips screw, 316 ss, qty 4

4" Socket Deep PVC Sump

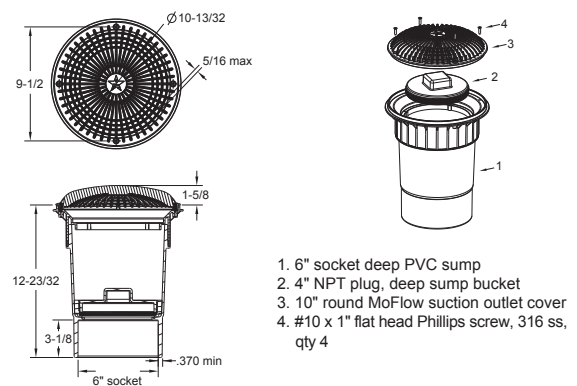
Part #
10MFxxxD
4 per case



1. 4" socket deep PVC sump
2. 4" NPT plug, deep sump bucket
3. 10" round MoFlow suction outlet cover
4. #10 x 1" flat head Phillips screw, 316 ss, qty 4

6" Socket Deep PVC Sump

Part #
10MFxxxF
4 per case



1. 6" socket deep PVC sump
2. 4" NPT plug, deep sump bucket
3. 10" round MoFlow suction outlet cover
4. #10 x 1" flat head Phillips screw, 316 ss, qty 4