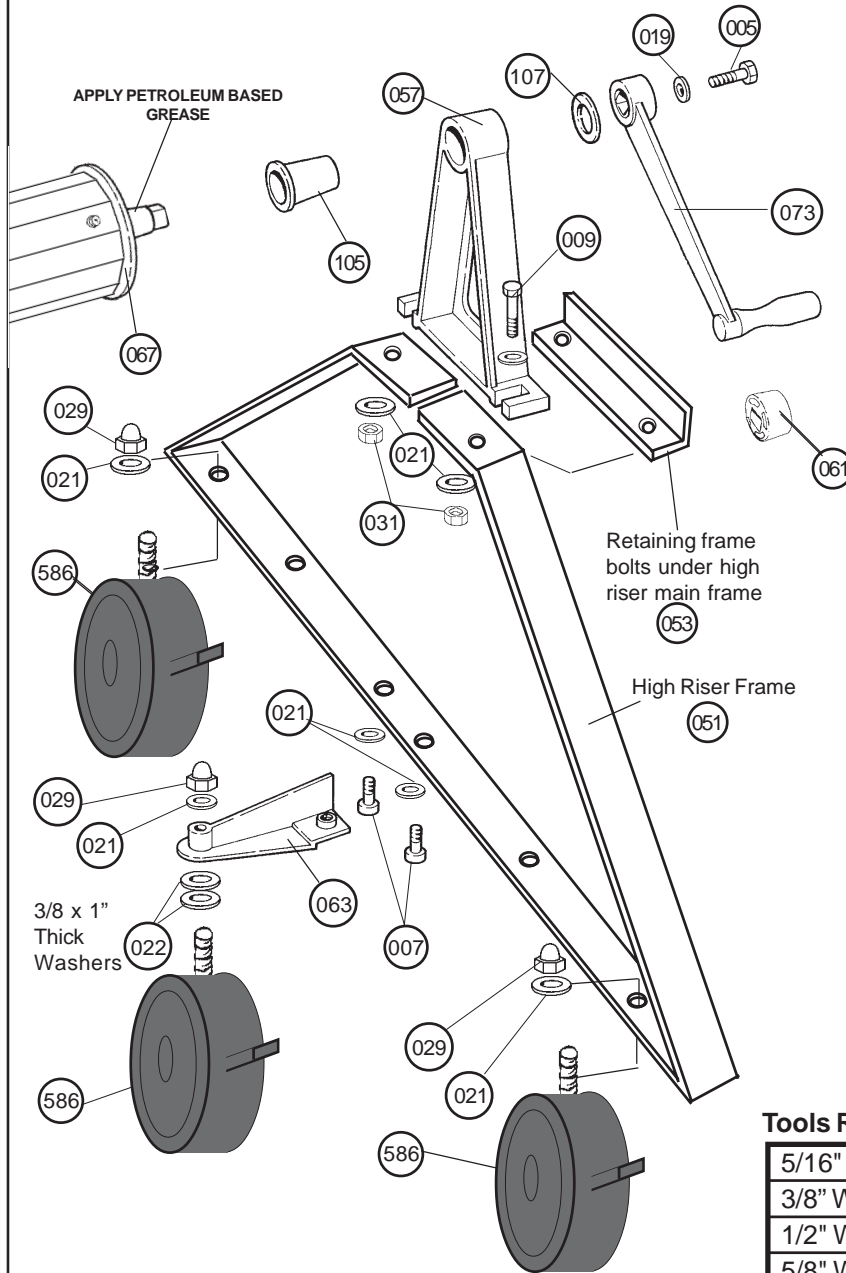




HIGH RISER COMMERCIAL



Important: Before you start to assemble make sure that the third leg (#063) holes in the High Riser frame are pointing inwards. These holes are nearer to the edge of the frame.

Attach #4 Frame (#57) to the main frame using the 3/8"x1.5" bolts. Ensure that the retaining bar is bolted under the main frame on the outside. It's purpose is to secure the #4 Frame onto the main frame and prevent it from sliding off the High Riser Frame (#051)
Attach the Third Leg (#063) to the main frame first then bolt the casters onto the frame and Third Leg. Place 2 of the thick 3/8" washers at the base of the caster shaft before pushing the caster shaft through the third leg (#063).

Insert Black Bushing into the frame (#57).

Put some waterproof grease on the hub (#067) and insert it into the frame.

When you have joined and **bolted*** the tubing together and secured the Hub (#067) into the end of the tube using the self drilling self tapping screws (#001). Slide the end of the hub into the Black Bushing (#105) through the frame. Place the Black Washer (#107) on the end of the hub and then the Handle at one end and the white knob at the other end. Secure with the 5/16" stainless washer and bolt.

See over for attaching the white knob (#533) to the unit.

Very Important:

Do not overtighten bolts holding the Handle in place, or the bolt that holds the White knob at the other end of the unit. This will make it difficult to turn the handle.

Tools Required:

5/16" Hex Head Socket Bit
3/8" Wrench
1/2" Wrench
5/8" Wrench

** The tubing must be bolted do not screw together*

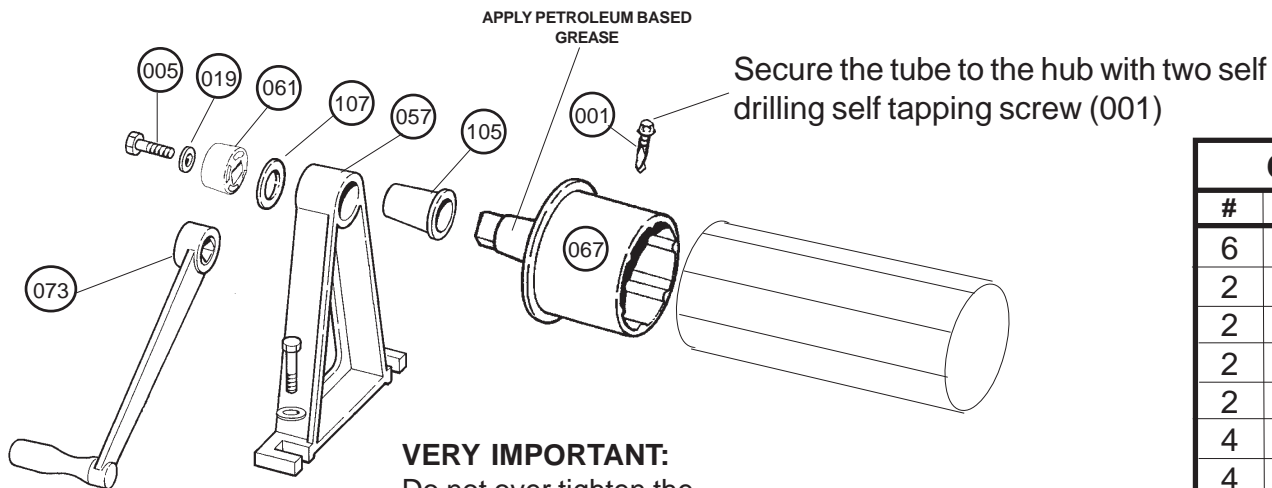
Securing the white knob (061) to the end of the hub (067).

Put waterproof grease on the hub (067) and slide into Black Bushing (105) #4A Frame (057).

Place Black Washer (107) onto the end of the hub (067).

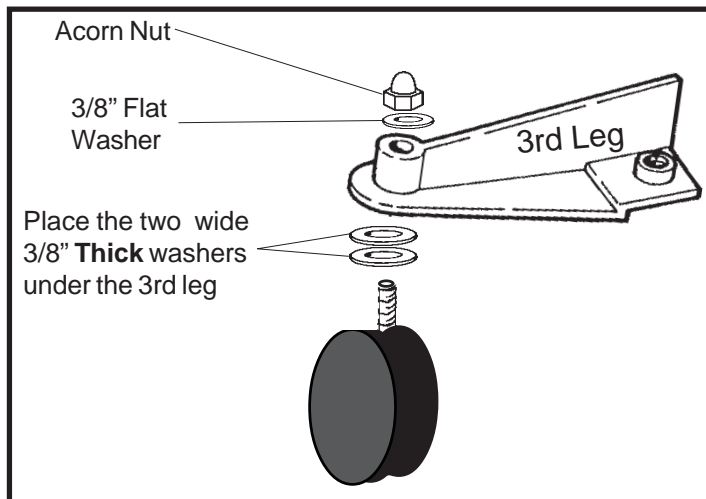
Place White Knob (061) onto the end of the Hub (067) and secure with 5/16" Washer (009) and 5/16" Bolt (005).

Repeat at the other end of the unit and use the Handle (073) in place of the White Knob (061).



VERY IMPORTANT:
Do not over tighten the bolt (#005) on either end as this will make it difficult to rotate the tube.

Note: The retaining bar must be fitted in this position



COMMERCIAL HIGH RISER PARTS LIST		
#	PART	RE-ORDER#
6	2586 4" Casters W/Brakes	
2	063 3rd Legs	
2	067 Commercial Hubs	
2	105 Plastic Bushing	
2	107 Plastic Washer	
4	007 3/8"x1" S.S. Bolts	
4	022 3/8"x1" Wide Thick washers	
18	021 3/8" Washers	
10	031 3/8" S.S. Nuts	
1	073 Large Handle	
2	057 #4A Frame	
1	061 White Knob	
4	009 3/8" x 11/2" S.S. Bolts	
2	005 5/16" x 1" Bolts	
2	053 High Riser Retaining Frame	
2	051 High Riser Frames	
1	203 36' Strapping	
12	101 Male Grommets	
12	103 Female Gommets	
2	019 5/16" Washers	
16	001 Self Tapping Screws	
6	029 Acorn Nuts	
1	Hex Driver Bit	