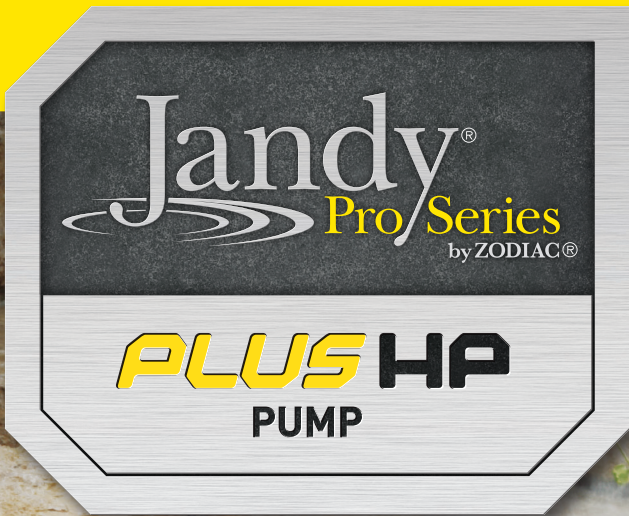


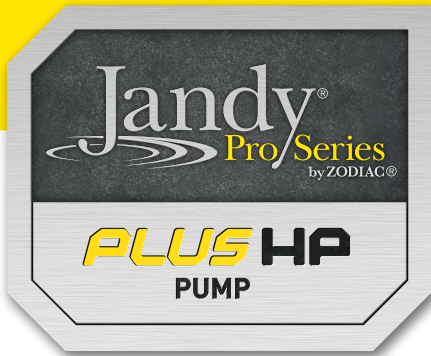
PLUS HP PUMP



Maximum Power,
Ultimate Performance



ZODIAC[®]



High performance in a compact body

Jandy® Pro Series PlusHP pumps are designed with the high performance of a larger pump in a compact body. The PlusHP is designed with “Quiet Technology”, a larger trap basket and is a great replacement pump for pool and spa renovations. PlusHP pumps deliver superior performance that is especially useful for in-floor cleaning systems, spa-jet boosters and solar systems.

» Compact

The compact body of the PlusHP takes up less space making it the perfect pump for small equipment areas. Plus HP is a great replacement pump for pool and spa renovations.

» Quiet Technology

The Jandy Pro Series line of PlusHP pumps incorporate “Quiet Technology” into every pump. This proprietary design controls the flow dynamics within the pump, resulting in less noise and quiet operation.

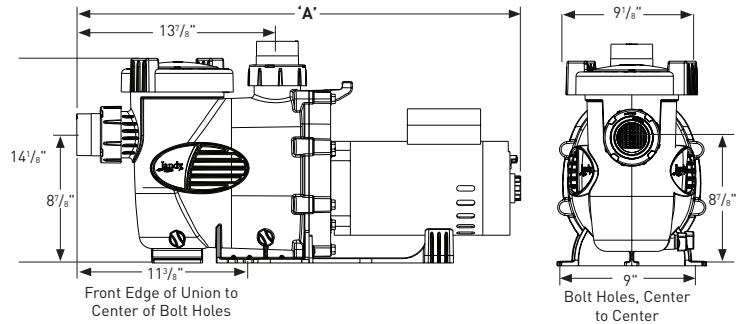
» High Efficiency

Also available in highly efficient two-speed models that will save up to 60% on electrical consumption compared to single speed pumps. Jandy Pro Series’ proprietary impeller and diffuser design provide the highest performance and efficiency levels.

» Great Features

The PlusHP offers many great features including 2 by 2½” quick-connect unions, a flared base for easy anchoring, and ergonomic cam-lock lid with easy to read aligning indicators.

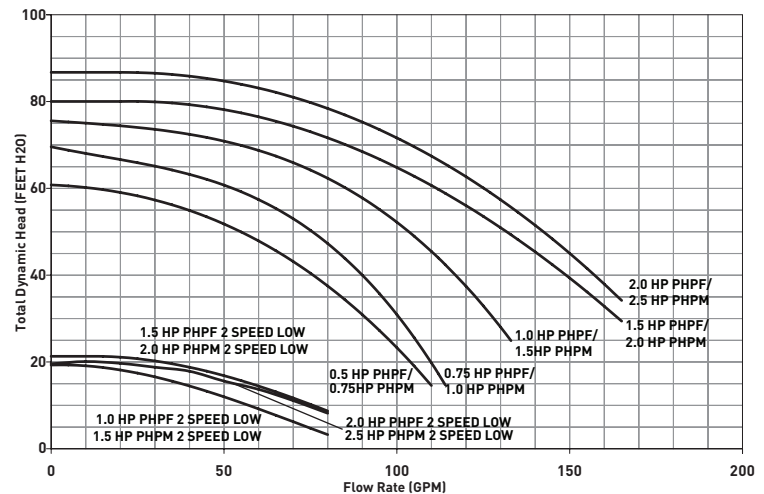
DIMENSIONS



SPECIFICATIONS

Model No.	Horse Power	Voltage	Amps	Pipe Size	Carton weight	Overall Length 'A'
PHPF.50	.50	230/115	5.4/10.8	1.5"-2"	40.4 lbs	28.75"
PHPF.75	.75	230/115	7.1/14.2	2"-2.5"	41.8 lbs	28.75"
PHPF1.0	1.0	230/115	8.0/16.0	2"-2.5"	43.3 lbs	29.25"
PHPF1.5	1.5	230/115	11.2/22.4	2"-2.5"	54.6 lbs	30.75"
PHPF2.0	2.0	230	11.5	2"-2.5"	49.3 lbs	29"
PHPF1.0-2	1.0	230	7.2/3.0	2"-2.5"	48.7 lbs.	29.75"
PHPF1.5-2	1.5	230	10.0/3.5	2"-2.5"	52.9 lbs.	30.25"
PHPF2.0-2	2.0	230	11.0/4.0	2"-2.5"	62.3 lbs.	29.75"
PHPM.75	.75	230/115	5.4/10.8	1.5"-2"	40.4 lbs.	28.75"
PHPM1.0	1.0	230/115	7.1/14.2	2"-2.5"	41.8 lbs.	28.75"
PHPM1.5	1.5	230/115	8.0/16.0	2"-2.5"	43.3 lbs.	29.25"
PHPM2.0	2.0	230/115	11.2/22.4	2.5"-3"	54.6 lbs.	30.75"
PHPM2.5	2.5	230	11.5	2"-2.5"	49.3 lbs.	29"
PHPM1.5-2	1.5	230	7.2/3.0	2"-2.5"	48.7 lbs.	29.75"
PHPM2.0-2	2.0	230	10.0/3.5	2"-2.5"	52.9 lbs.	30.25"
PHPM2.5-2	2.5	230	11.0/4.0	2"-2.5"	62.3 lbs.	29.75"

PERFORMANCE



SMART PHONE SCAN

Zodiac Pool Systems, Inc.
 2620 Commerce Way, Vista, CA 92081
 1.800.822.7933 | www.ZodiacPoolSystems.com

Zodiac Pool Systems Canada, Inc.
 2115 South Service Road West, Unit #3, Oakville, ON L6L 5W2
 1.888.647.4004 | www.ZodiacPoolSystems.ca

