

DESIGNER SERIES RAILS

D3D DECK TO DECK RETURN STAIR RAIL

PDF SPEC SHEET

Form Follows Function...

The Designer Rail design follows the function of the traditional rail.

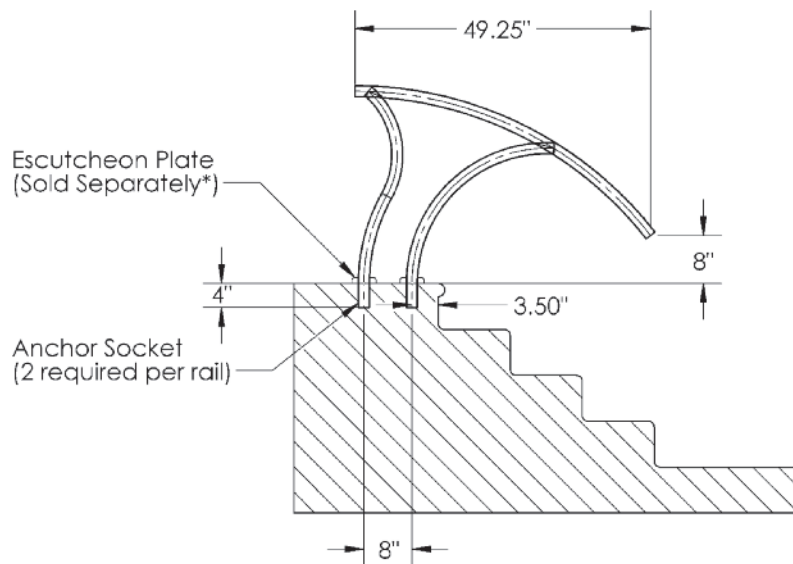


Part DR-D3D50065

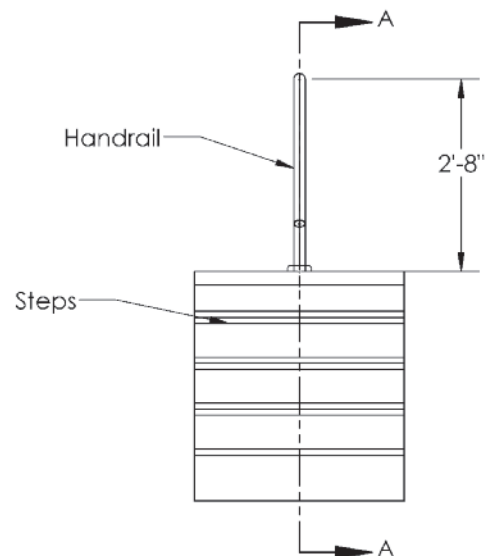
FEATURES:

- Attractive and Modern Alternative to Traditional Rail Styles
- Fits Existing Anchor Spacing for Easy Retrofitting
- 1.90" x .065" Wall Thickness
- 304 or 316L Stainless Steel
- Powder Coat or Thermo Plastic Coat Options (Includes Escutcheons)
- Anchors NOT included
- Patent Pending

<p>PC POWDER COAT</p> <p>TP THERMO PLASTIC</p> <p>MG MARINE GRADE</p>	<p>PLEASE CALL CUSTOMER SERVICE FOR SPECIFIC RAIL COATING AVAILABILITY.</p>
--	---



SECTION A-A



*Escutcheons sold separately with stainless steel products; included with PC and TPC ladders and rails.



3050 S ALVERNON WAY • TUCSON, AZ 85713
 520.790.7040 • 800.737.5386 • inter-fab.com