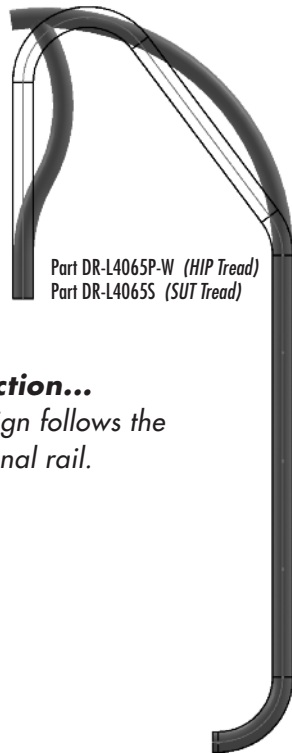


DESIGNER SERIES RAILS

4 TREAD LADDER

PDF SPEC SHEET



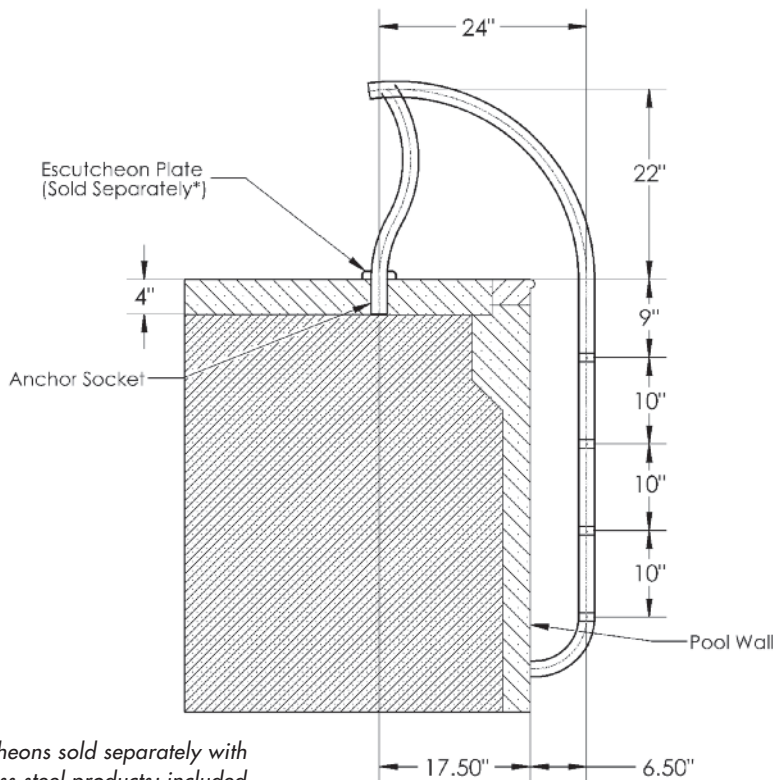
FEATURES:

- Attractive and Modern Alternative to Traditional Rail Styles
- Fits Existing Anchor Spacing for Easy Retrofitting
- Available with High Impact Treads or Sure Step Treads
- 1.90" x .065" Wall Thickness
- 304 or 316L Stainless Steel
- Powder Coat or Thermo Plastic Coat Options (Includes Escutcheons)
- Anchors NOT included
- Patent Pending

Form Follows Function...

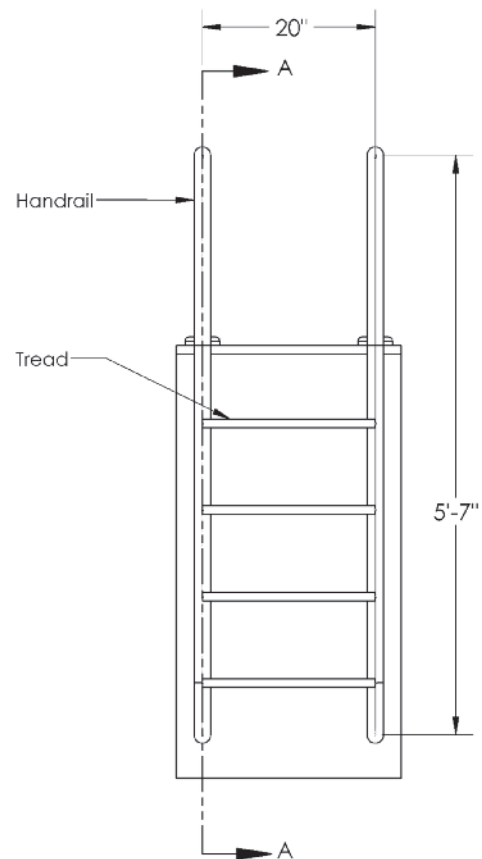
The Designer Rail design follows the function of the traditional rail.

| | |
|--------------------------|--|
| PC POWDER COAT | PLEASE CALL CUSTOMER SERVICE FOR SPECIFIC RAIL COATING AVAILABILITY. |
| TP THERMO PLASTIC | |
| MG MARINE GRADE | |



*Escutcheons sold separately with stainless steel products; included with PC and TPC ladders and rails.

SECTION A-A



3050 S ALVERNON WAY • TUCSON, AZ 85713
520.790.7040 • 800.737.5386 • inter-fab.com