

## DESIGNER DECK TOP DECK TO DECK RETURN STAIR RAIL:



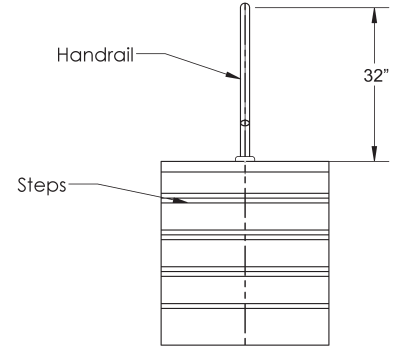
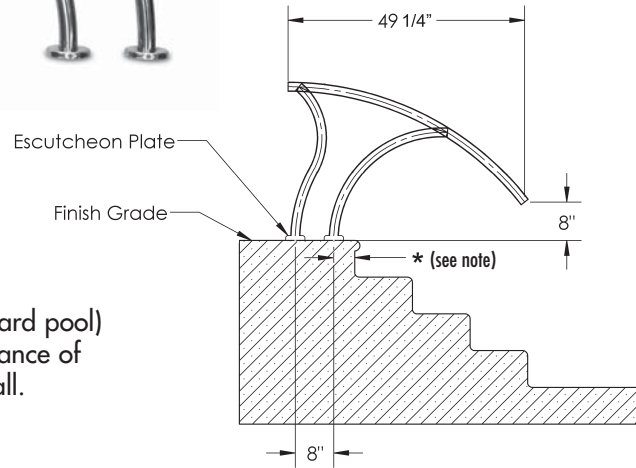
PC  
TP  
MG

### FEATURES:

- 304 SS and 316L
- 1.90" x .065" Wall Thickness
- Escutcheons & Mounting Hardware Included

Part # DR-D3D50065-FL

**\*NOTE RAIL PLACEMENT:**  
The forward deck flange (toward pool) must set back a minimum distance of 2.5" from the vertical pool wall.



**NOTE: All measurements on center.**

## DECK TOP DESIGNER DECK TO DECK STAIR HANDRAIL:

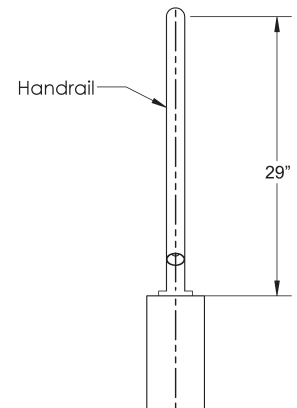
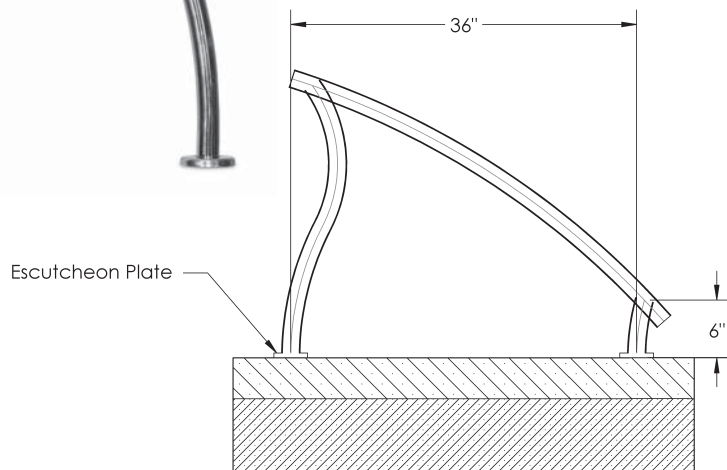


PC  
TP  
MG

### FEATURES:

- 304 SS and 316L
- 1.90" x .065" Wall Thickness
- Escutcheons & Mounting Hardware Included

Part # DR-D2D3.0065-FL (pair)



**NOTE: This product sold as pairs.**

**NOTE: All measurements on center.**