

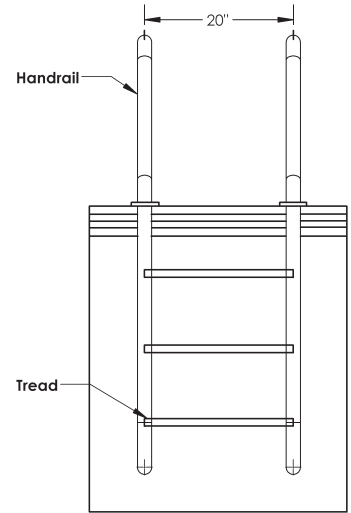
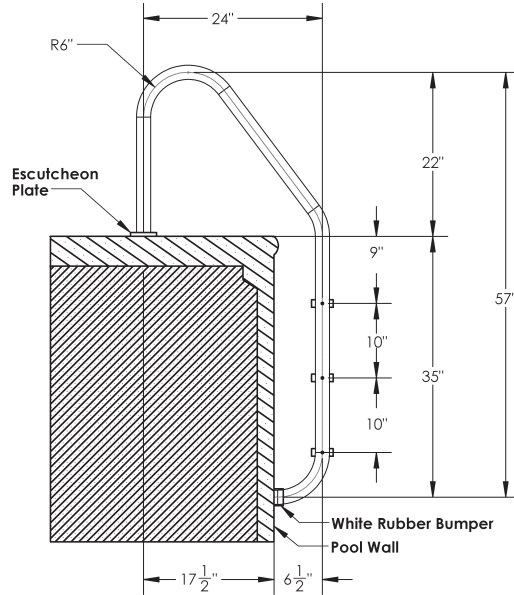
DECK TOP LADDER:



PC
TP
MG

FEATURES:

- Available in 3 Step and 4 Step
- .049" Wall Stainless Steel Construction
- 304 SS and 316L
- 1.90" OD
- Escutcheons & Mounting Hardware Included



Standard - Available in 3 Step and 4 Step

Part # L3049P-W-FL - 3 Step w/HIP Tread

Part # L3049S-FL - 3 Step w/SUT Tread (shown)

Part # L4049P-W-FL - 4 Step w/HIP Tread

Part # L4049S-FL - 4 Step w/SUT Tread

NOTE: HIP (High Impact Plastic) Treads for Residential Use ONLY.

NOTE: All measurements on center.

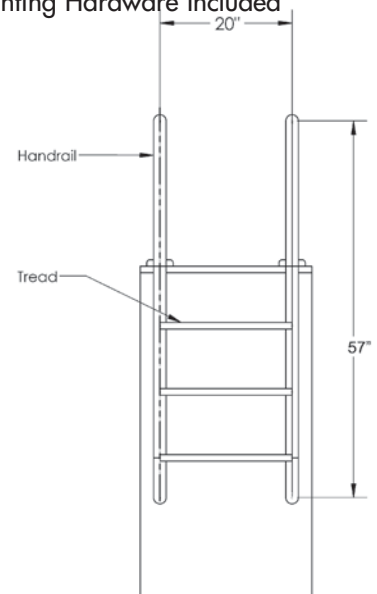
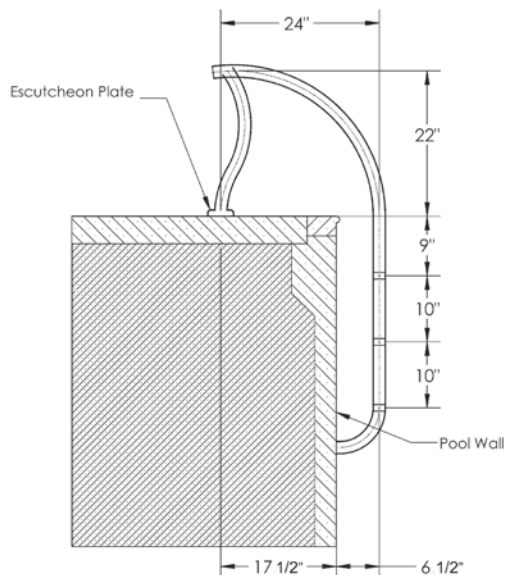
DESIGNER DECK TOP LADDER:



PC
TP
MG

FEATURES:

- Available in 3 Step through 4 Step
- 304 SS and 316L
- 1.90" x .065" Wall Thickness
- Escutcheons & Mounting Hardware Included



Designer - Available in 3 Step and 4 Step

Part # DR-L3065P-W-FL - 3 Step w/HIP Tread (shown)

Part # DR-L3065S-FL - 3 Step w/SUT Tread

Part # DR-L4065P-W-FL - 4 Step w/HIP Tread

Part # DR-L4065S-FL - 4 Step w/SUT Tread

NOTE: HIP (High Impact Plastic) Treads for Residential Use ONLY.

NOTE: All measurements on center.