

DECK TOP FIGURE 4:

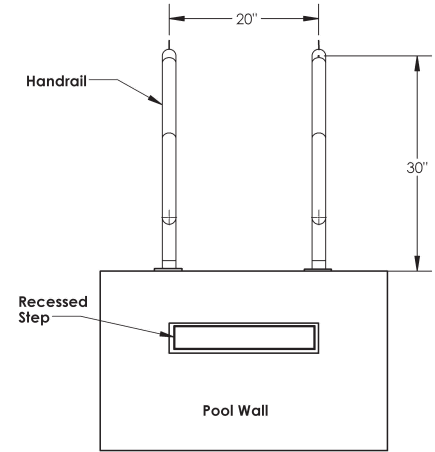
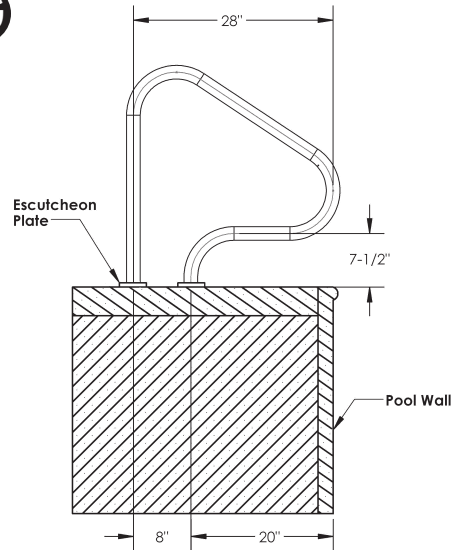


PC
TP
MG

FEATURES:

- .049" Wall Stainless Steel Construction
- Available in Commercial Grade .065"
- 304 SS and 316L
- 1.90" OD
- Escutcheons & Mounting Hardware Included

Part # G3D049-FL (pair)
Part # G3D049-FL-SINGLE (single rail only)



NOTE: All measurements on center.

DECK TOP ECONOMY FIGURE 4:

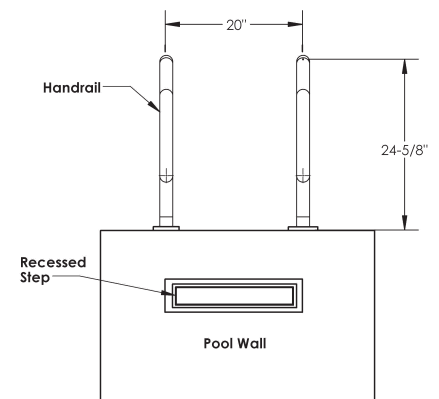
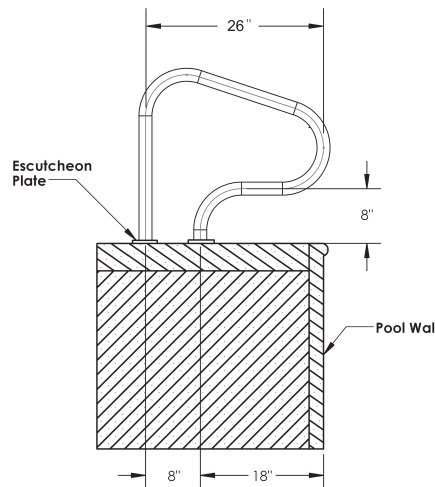


PC
TP
MG

FEATURES:

- .049" Wall Stainless Steel Construction
- Available in Commercial Grade .065"
- Economy Figure 4 Grab Rail is 7" Shorter in Height than standard Figure 4 Grab Rail
- 304 SS and 316L
- 1.90" OD
- Escutcheons & Mounting Hardware Included

Part # G3DE049-FL (pair)
Part # G3DE049-FL-SINGLE (single rail only)



NOTE: All measurements on center.