

## DECK TOP – 3 BEND:



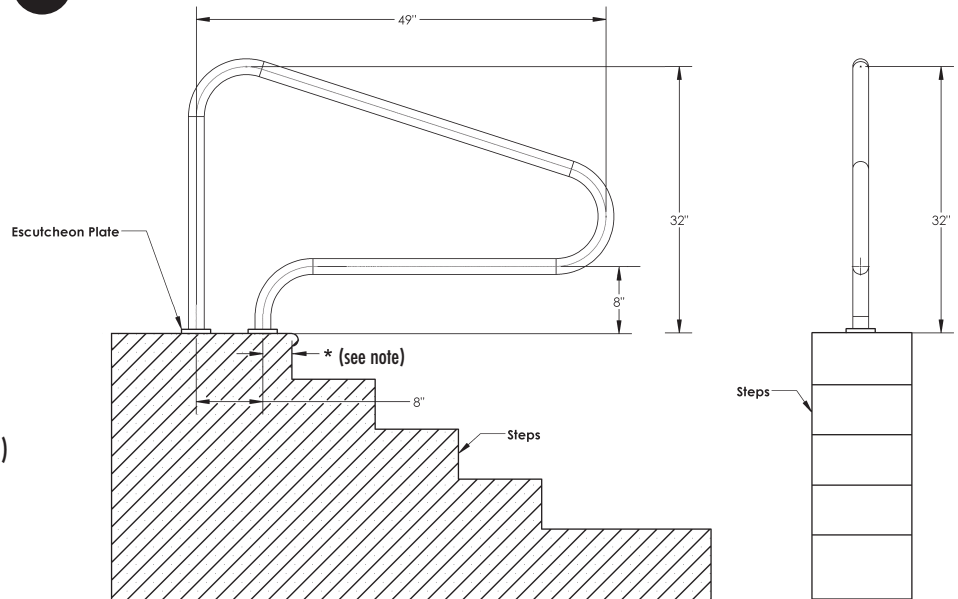
PC  
TP  
MG

### FEATURES:

- .049" Wall Stainless Steel Construction
- Available in Commercial Grade .065"
- 304 SS and 316L
- 1.90" OD
- Escutcheons & Mounting Hardware Included

Part # D3D50049-FL

**\*NOTE RAIL PLACEMENT:**  
The forward deck flange (toward pool) must set back a minimum distance of 2.5" from the vertical pool wall.



**NOTE: All measurements on center.**

## DECK TOP – 3 BEND – BRACED:



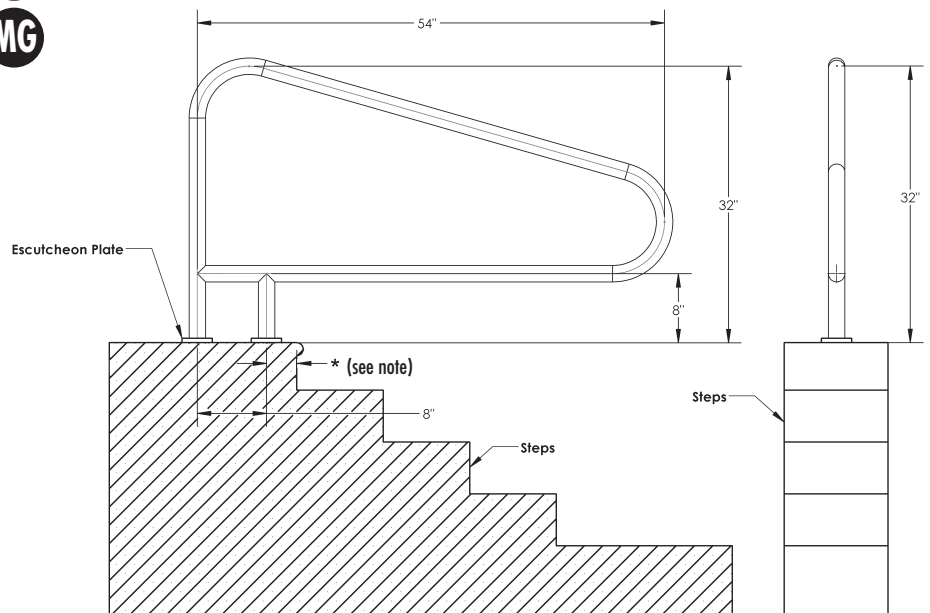
PC  
TP  
MG

### FEATURES:

- .049" Wall Stainless Steel Construction
- Available in Commercial Grade .065"
- 304 SS and 316L
- Escutcheons & Mounting Hardware Included

Part # D3BD049-FL

**\*NOTE RAIL PLACEMENT:**  
The forward deck flange (toward pool) must set back a minimum distance of 2.5" from the vertical pool wall.



**NOTE: All measurements on center.**