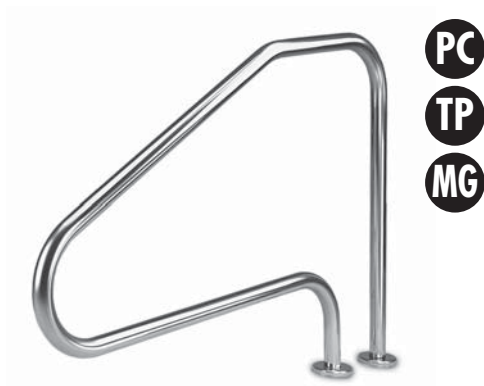


DECK TOP - 4 BEND:



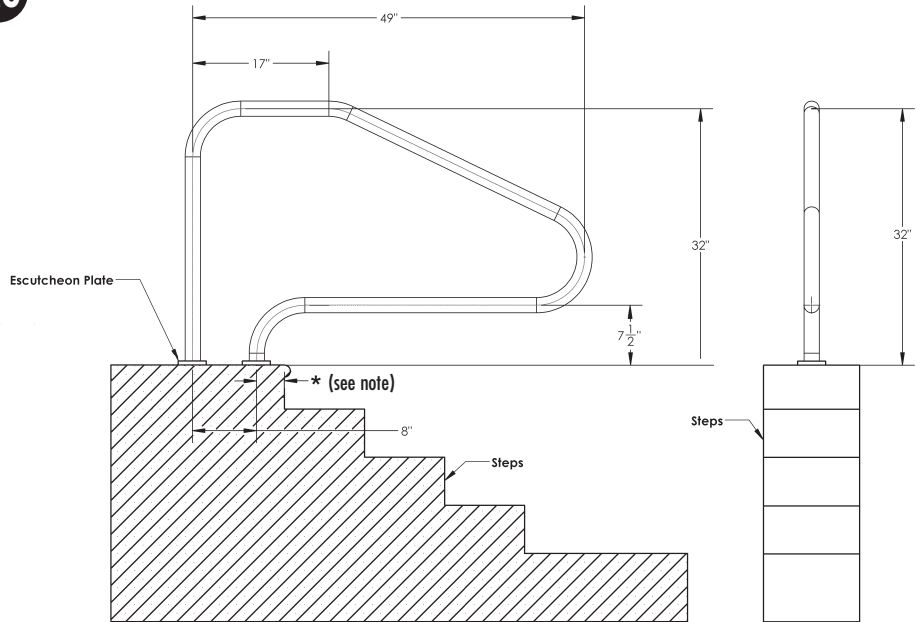
PC
TP
MG

Part # D4D049-FL

***NOTE RAIL PLACEMENT:**
The forward deck flange (toward pool) must set back a minimum distance of 2.5" from the vertical pool wall.

FEATURES:

- .049" Wall Stainless Steel Construction
- Available in Commercial Grade .065"
- 304 SS and 316L
- 1.90" OD
- Escutcheons & Mounting Hardware Included



NOTE: All measurements on center.

DECK TOP - 4 BEND - BRACED:



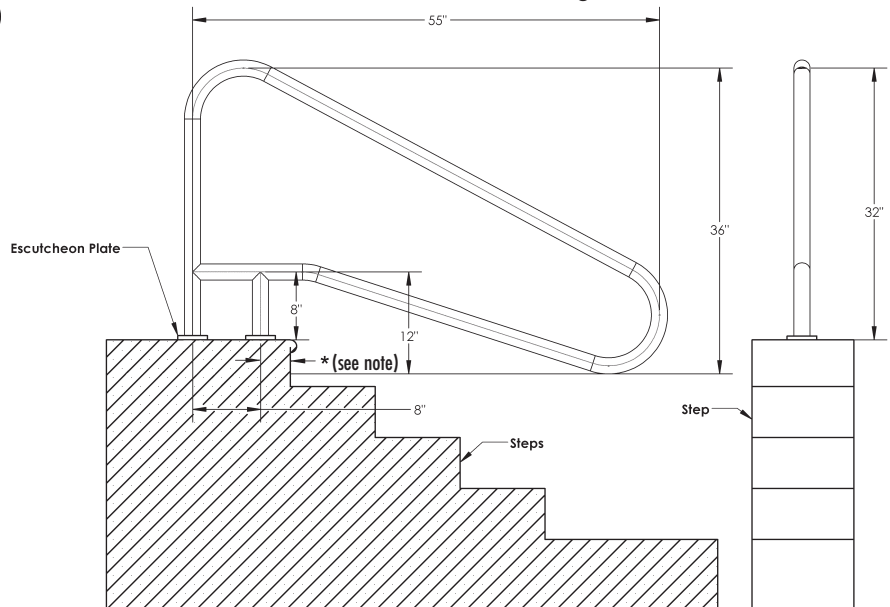
PC
TP
MG

Part # D4BD049-FL

***NOTE RAIL PLACEMENT:**
The forward deck flange (toward pool) must set back a minimum distance of 2.5" from the vertical pool wall.

FEATURES:

- .049" Wall Stainless Steel Construction
- Available in Commercial Grade .065"
- 304 SS and 316L
- 1.90" OD
- Escutcheons & Mounting Hardware Included



NOTE: All measurements on center.