

ROCKY'S EAZY ROLLERS[®] INSTRUCTIONS - #4 PERMANENT

This box contains the following items:

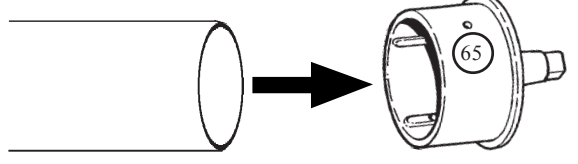
ITEM #	QTY.	DESCRIPTION	RE-ORDER#
1	12	Self-tapping Screw	501
5	2	5/16"x1" Bolt	505
7	4	3/8"x1" Bolt	507
15	4	Concrete Anchor	515
19	2	5/16" Washer	505
21	4	3/8" Washer	21
57	2	#4 A-Frame	531
61	1	White Knob	533
65	2	4" Regular Hub	539
71	1	Small Handle	545
101	10	Male Grommet	549
103	10	Female Grommet	549
105	2	Plastic Bushing	555
107	2	Plastic Washer	555
201	1	22' Strapping	587

Tools Required:

Reversible Drill
1/2" Concrete (masonry) Drill Bit
Hammer & Center Punch (or large nail)
5/16" Hex Head Socket Bit
1/2" Wrench
9/16" Wrench

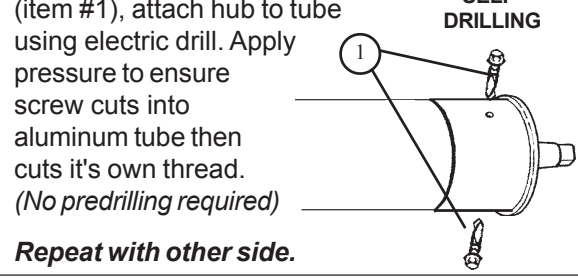
1 For use with 4" (outside diameter) aluminum irrigation tubing. *(Not Supplied By Rocky's)*

Insert one end of irrigation tubing into 4" hub (item #65).



With 2 self-drill/tapping screws (item #1), attach hub to tube using electric drill. Apply pressure to ensure screw cuts into aluminum tube then cuts it's own thread. *(No predrilling required)*

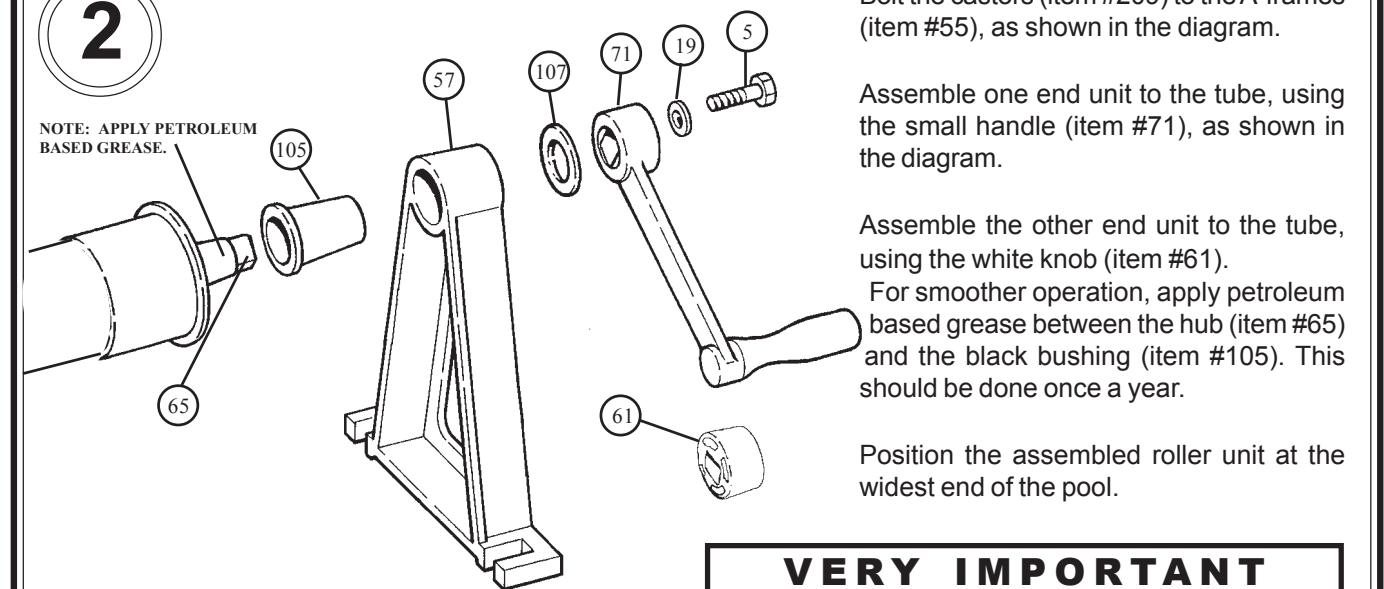
SELF-DRILLING



Repeat with other side.

2

NOTE: APPLY PETROLEUM BASED GREASE.



Bolt the castors (item #209) to the A-frames (item #55), as shown in the diagram.

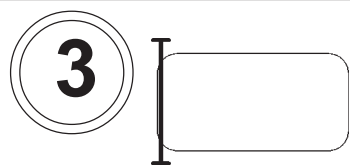
Assemble one end unit to the tube, using the small handle (item #71), as shown in the diagram.

Assemble the other end unit to the tube, using the white knob (item #61). For smoother operation, apply petroleum based grease between the hub (item #65) and the black bushing (item #105). This should be done once a year.

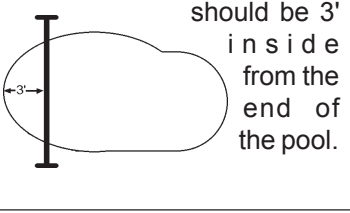
Position the assembled roller unit at the widest end of the pool.

VERY IMPORTANT
PREVENT DROWNING
Attach Warning Label to one end of tube.

3

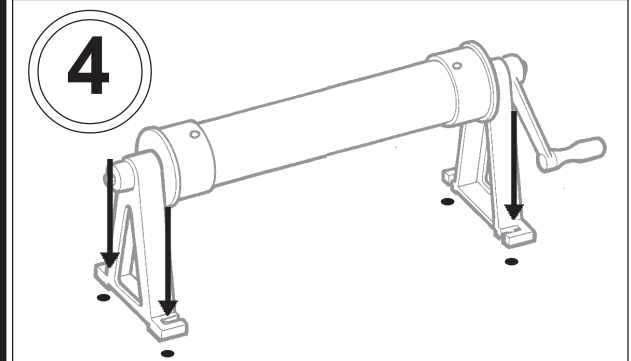


For regular shaped pools, align the outside edge of the tube parallel with the end of the pool.



For irregular shaped pools, the outside edge of the tube should be 3' inside from the end of the pool.

4

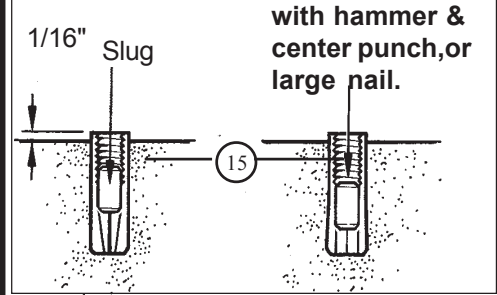


Using the two holes of the #4 A-frame (item #57) as guides, make two marks on deck for each #4 A-frame. With a 1/2" concrete drill bit, drill a 1 1/2" deep hole at each mark.

5

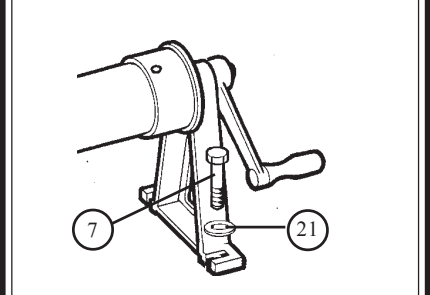
Drive the concrete anchor into the hole with a hammer. Leave the anchor raised 1/16". To set the concrete anchor tap it into the the hole with a hammer. Then using a center punch or large nail drive the slug down into the anchor forcing legs out into concrete.

Hit center slug with hammer & center punch, or large nail.

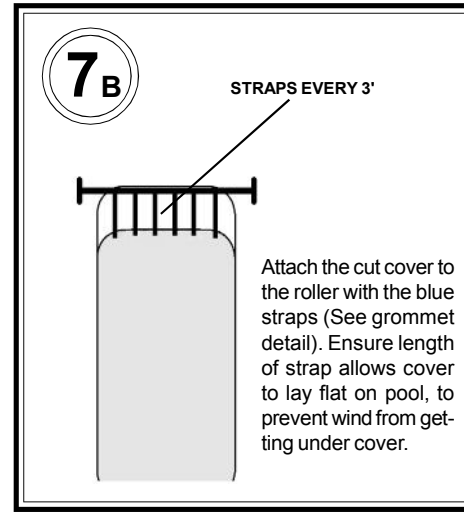
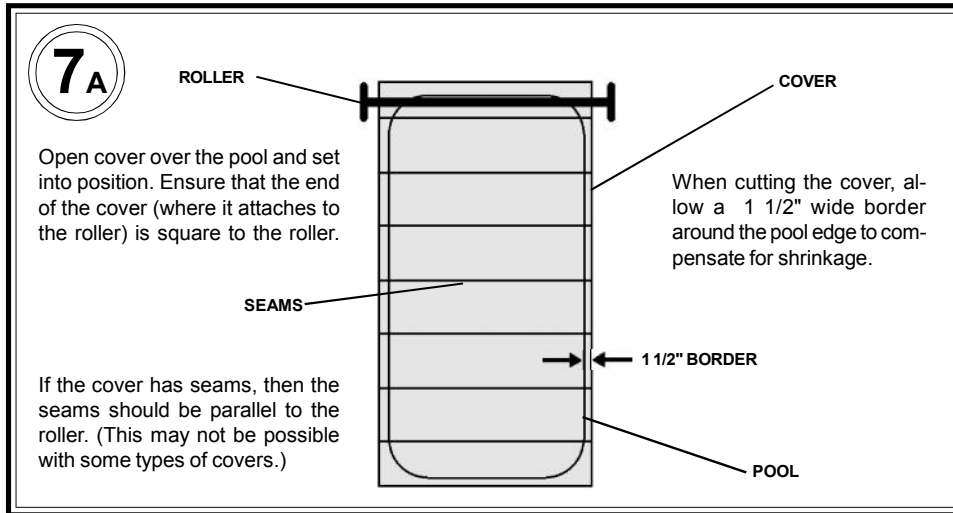


6

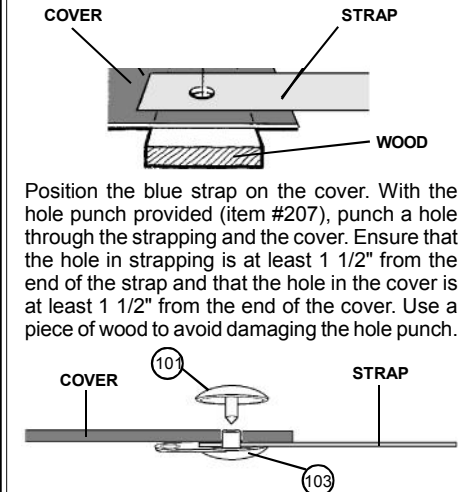
Insert the 3/8" bolts (item #7) through the 3/8" washers (item #21), through the #4 A-frames (item #57) and into the concrete anchors (item #15). Tighten the 3/8" bolts.



FOR REGULAR SHAPED INGROUND POOLS



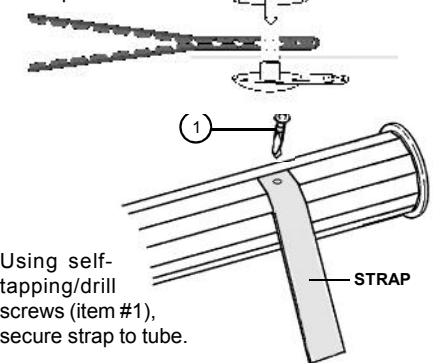
GROMMET DETAIL



Position the blue strap on the cover. With the hole punch provided (item #207), punch a hole through the strapping and the cover. Ensure that the hole in strapping is at least 1 1/2" from the end of the strap and that the hole in the cover is at least 1 1/2" from the end of the cover. Use a piece of wood to avoid damaging the hole punch.

Insert female grommet (item #103) through hole in strapping and cover. Ensure that material is completely pushed down shaft. Insert male grommet (item #101) into female grommet. Once in place, hit gently with hammer until secure. (Caution - excess force will break grommet).

For odd shaped pools, pinch the cover and attach the strap as shown.



Using self-tapping/drill screws (item #1), secure strap to tube.

FOR IRREGULAR, KIDNEY, OR ROUND SHAPED INGROUND POOLS

