



LED BUBBLER FOUNTAIN ACCESSORIES

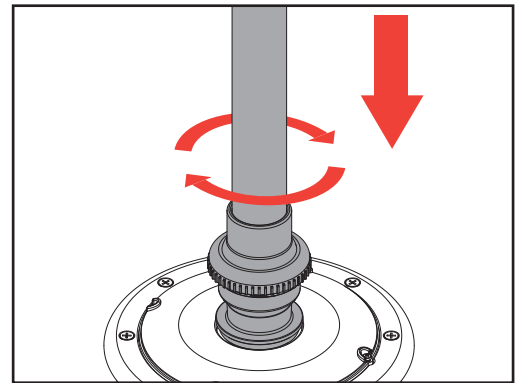
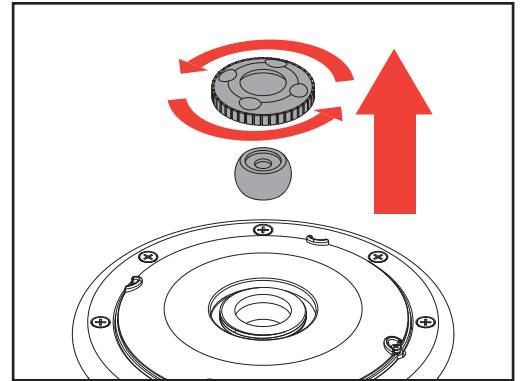
CMP 25503-9XX-000

INSTALLATION

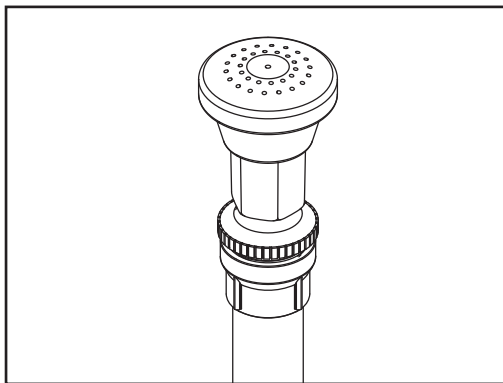
1. Remove Eyeball Cap by unscrewing it counterclockwise (it is recommended to use CMP Eyeball Cap Removal Tool: 25503-999-998). Remove Eyeball and Eyeball Reducer.
2. Screw in the Bubbler Union Attachment into same socket that the Eyeball was removed from.

NOTE: The 5-1/2" Bubbler Three Tier Attachment (25503-930-000) does not include the Bubbler Union Attachment, but it screws into the Bubbler Lens the same way as the Bubbler Union Attachment.

3. **⚠ WARNING** FOR DECORATION ONLY. NOT A TOY. NO DIVING, JUMPING, SWIMMING, OR PLAYING NEAR FOUNTAIN ACCESSORY WHEN INSTALLED. UNINSTALL FROM BATHING AREA BEFORE SWIMMING IS ALLOWED. FAILURE TO COMPLY WITH WARNING MAY RESULT IS SERIOUS BODILY INJURY.

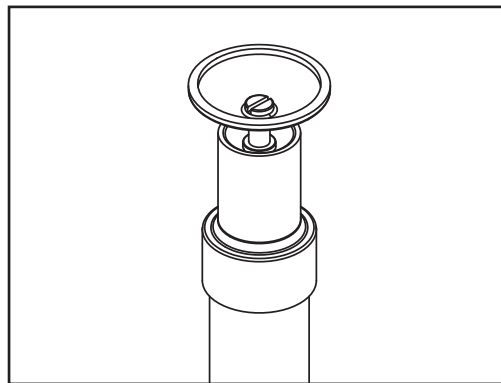


These instruction apply too all of these great LED Bubbler Fountain Accessories from CMP!



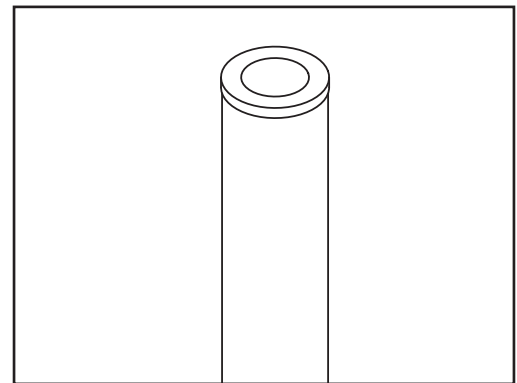
Three Tier Fountain Attachment

25503-930-000
 25503-931-000
 25503-932-000
 25503-933-000
 25503-934-000



Water Ball Attachment

25503-910-000
 25503-911-000
 25503-912-000
 25503-913-000
 25503-914-000



Water Column Attachment

25503-920-000
 25503-921-000
 25503-922-000
 25503-923-000
 25503-924-000