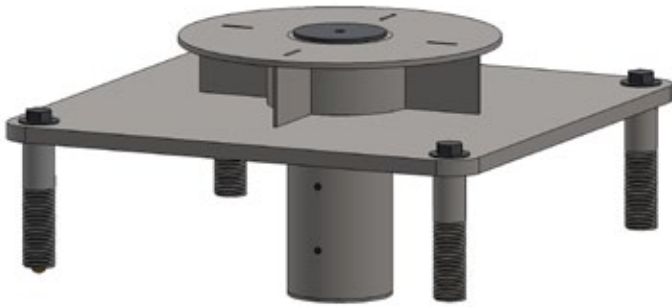


# Revolution Deck Anchor

**PART #: FC-77RLA-B**



**MANDATORY – LEAVE THIS MANUAL WITH LIFT OWNER**



Read & follow all instructions  
Lift safety can only be ensured if the lift is installed and operated according to these instructions



**NEVER** permit children to play on or around the lift  
Do not allow children to use the lift without adult supervision



**NEVER** apply direct water pressure to the electronics



**NEVER** use the lift with a dry pool



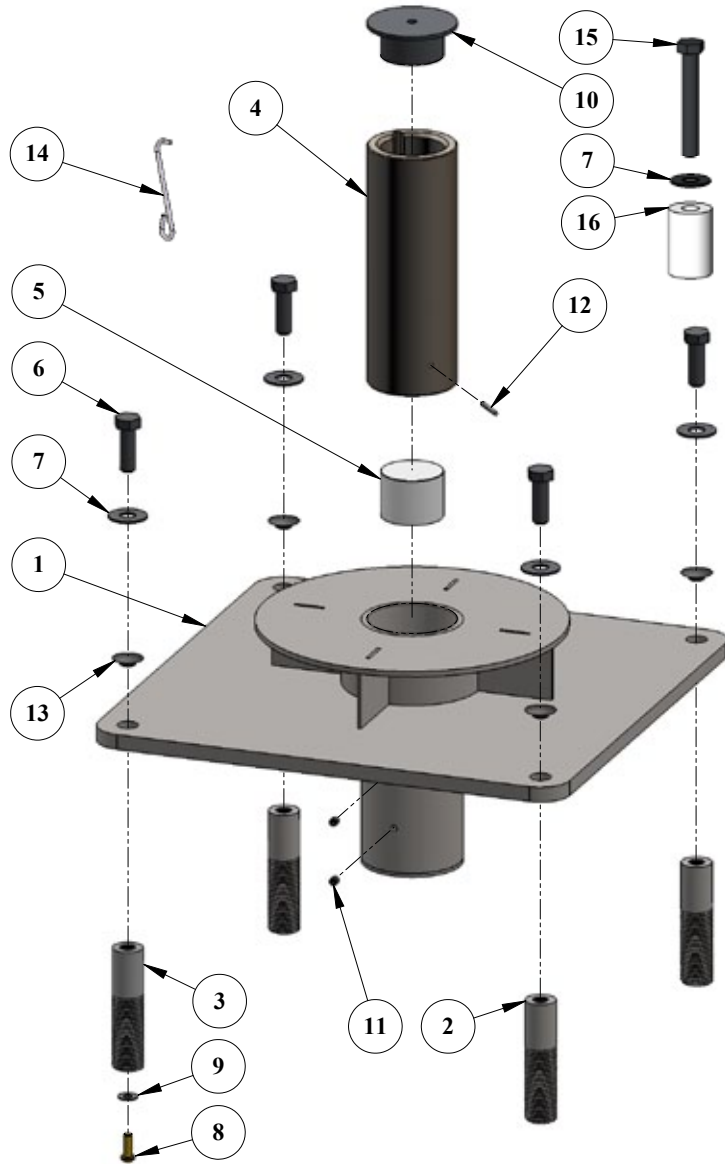
For safety reasons, **NEVER** swim alone

9889 Garrymore Ln  
Missoula, MT 59808  
888-687-3552 | +1-406-549-0769  
aquacreek.com



**SAVE** a copy of these instructions

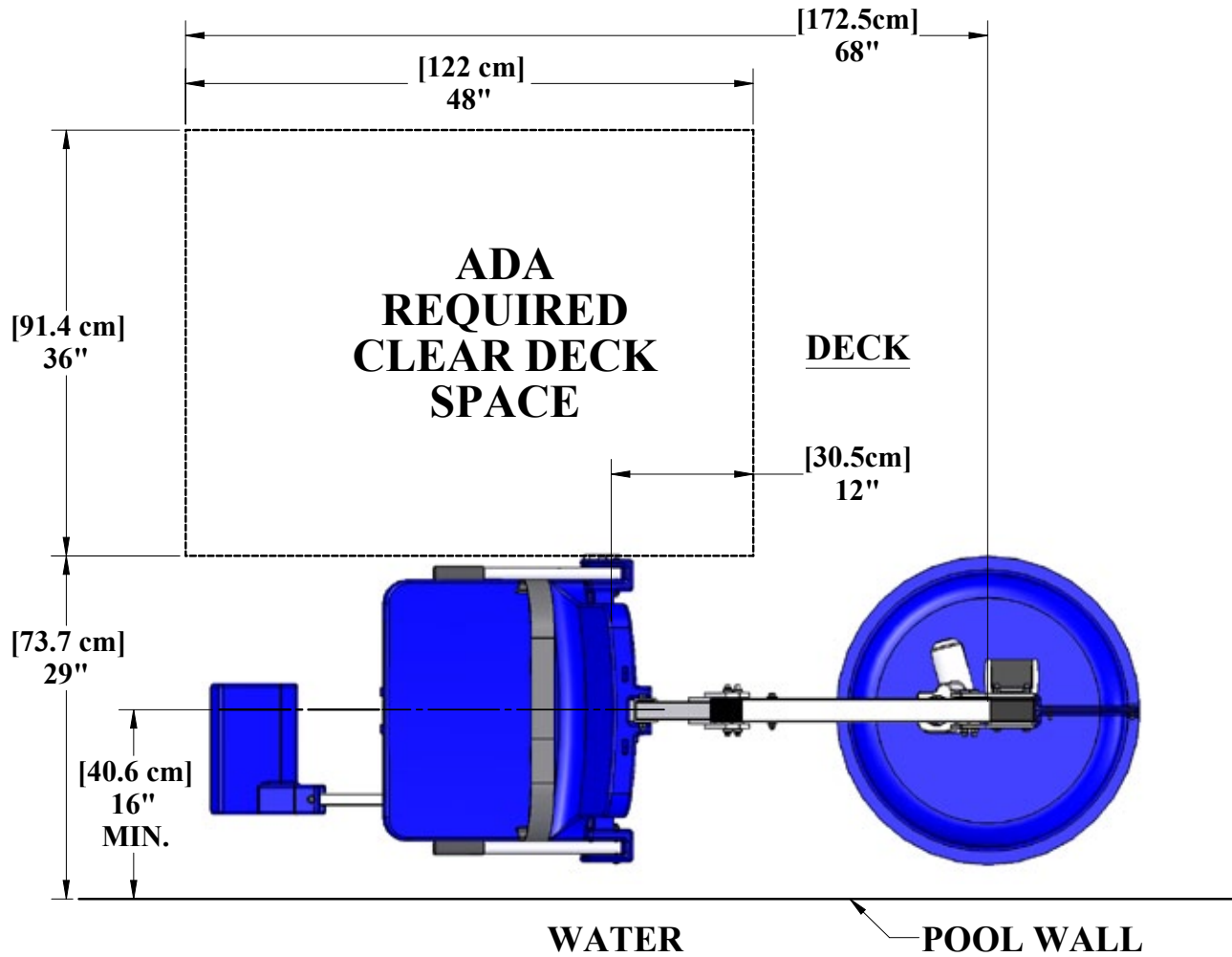
# Parts List



**NOTE:** Item numbers 15 & 16 are for use with the fixing kit attached to the lift. If the anchor was pre-ordered, DO NOT throw these parts away. See page 7 for lift installation instructions.

ITEM #	QTY	PART #	DESCRIPTION
1	1	RCA-100-20	REVOLUTION DECK ANCHOR ASSEMBLY
2	3	P-7200ANB	ANCHOR INSERT, NON-BONDABLE
3	1	P-7200ANB-BB	ANCHOR INSERT, BONDABLE
4	1	RVA-110-00	REVOLUTION 8" ANCHOR TUBE
5	1	RVA-120-05	REVOLUTION ANCHOR PLUG
6	4	BOLT, 1/2-13 X 1 1/2 HCS	BOLT, 316 SS, 1/2-13 X 1 1/2 HCS
7	5	FLAT WASHER, 1/2 SS	WASHER, FLAT, 1/2, 316 SS
8	1	BOLT, 1/4-20 X 3/4 BRASS	BOLT, BRASS, 1/4-20 X 3/4 PANHEAD
9	1	FLAT WASHER, 1/4 SS	WASHER, FLAT, 1/4, 316 SS
10	1	F-710RLA-CAP	ANCHOR CAP, REVOLUTION
11	2	SET SCREW, 1/4-20 X 1/4 SS	SCREW, 316 SS, 1/4-20 X 1/4 SET SCREW
12	1	ROLL PIN, 1/8"X1"	ROLL PIN, 304 SS, 1/8" X 1"
13	4	PIP-1/2-TAB	BLACK CAP FOR ANCHOR INSERTS
14	1	F-ACTOOL	ANCHOR CAP TOOL
15	1	BOLT, 1/2-13 X 3 1/2 HCS	BOLT, 316 SS, 1/2-13 X 3 1/2 HCS
16	1	P-77PS	SPACER, PLASTIC, REV DECK ANCHOR

# Lift Location: ADA Guidelines



Before installing the Revolution Lift it will be necessary to select a location for the anchor. The Revolution Lifts versatility allows it to be installed in a wide variety of locations, but the owner/installer should be aware of the requirements of the Americans with Disabilities Act (ADA) with concern to lift installations. The diagram above shows an example of an ADA compliant installation, which incorporates the following ADA rules in order to be compliant;

- **SEAT LOCATION:** In the raised position, the centerline of the seat shall be located over the deck and 16 inches [406mm] minimum from the edge of the pool (pool wall). The deck surface between the centerline of the seat and the pool edge shall have a slope not greater than 1:48.
- **CLEAR DECK SPACE:** On the side of the seat opposite the water, a clear deck space shall be provided parallel with the seat. The space shall be 36 inches [914mm] wide minimum and shall extend forward 48 inches [1219mm] from a line located 12 inches [305mm] behind the rear edge of the seat. The clear deck space shall have a slope not greater than 1:48.
- **WATER LEVEL:** Pool lifts must be located where the water level does not exceed 48 inches [1219mm] (unless the entire pool is greater than 48" deep). [1009.2.1 "Pool Lift Location"]

**NOTE: AQUA CREEK RECOMMENDS INSTALLING THE LIFT AT A DECK TO POOL-FLOOR DEPTH OF NOT LESS THAN 42" [1067MM].**

# Anchor Installation: New Construction or Retro-Fit by Saw-Cutting

**NOTE:** Your anchor setback will vary depending on your application and any options you choose for your lift. 16" setback is the minimum for ADA compliance, however, given a typical 1 foot bond beam and the fact that the anchor should be no closer than 9" to the edge of your footing, 21" may be the closest you can achieve. The chart below outlines the minimum and maximum anchor setback locations for the available options based on this premise:

<b>ITEM NO.</b>	<b>OPTION</b>	<b>MIN</b>	<b>MAX</b>
F-730RSA	GURNEY	21"	34"
F-706RLSS	SLING SEAT	21"	26"
F-734RSA	SPINE BOARD	21"	36"
F-705	WHEELCHAIR ADAPTER	21"	38"

1. Determine the location for the anchor based on the options you are ordering or think you may order in the future and set the anchor in place. You can use a small mass of wet concrete to set the anchor in place. Use a level and string lines to make sure the anchor is perpendicular and will be flush with the top of the finished deck surface.
2. Bond the anchor according to local code requirements using the bonding lug on the bottom of the anchor. Reference the National Electric Code (NEC) Article 680.26 for specifics on bonding.
3. Pour the concrete so that the top of the anchor will be flush with the FINISHED pool deck surface.
4. Once the concrete has cured, the lift can be put into place.

# Deck Anchor Installation

**NOTE: Minimum deck thickness for this anchor is 6"!**

After selecting a location for the Revolution Lift the anchors will need to be marked and drilled. This will require the following tools –

- 3-1/2" & 1-1/4" Core Drill bits
- Core Drilling Rig
- Tape measure and level
- Marking pen
- Chisel and hammer

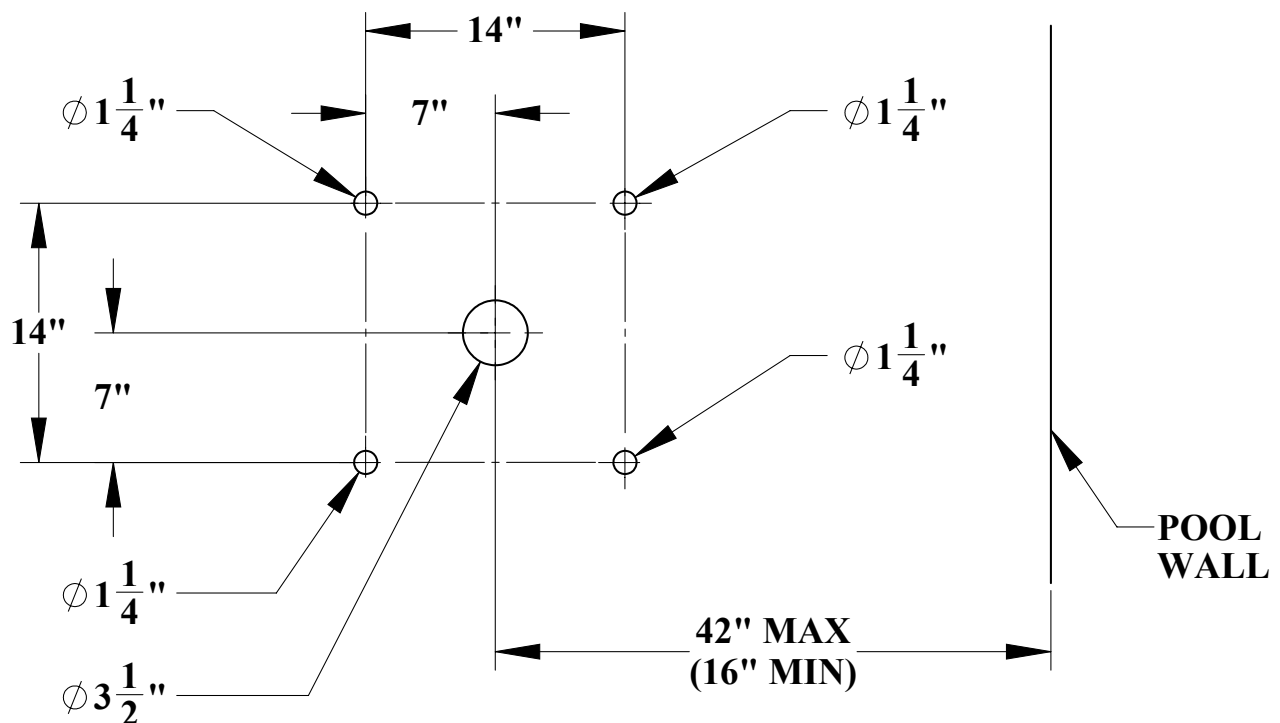
**STEP 1** – Using the tape measure and marking pen, mark the centers for the five (5) holes according to diagram below.

**STEP 2** - Drill the four (4) corner holes using the 1-1/4" core drill bit and drilling rig. Drill to a depth of at least 4".

**STEP 3** – Drill the center hole with the 3-1/2" core drill bit and drilling rig. Drill to a depth of 5-1/2".

**STEP 4** - Remove the cores from the holes using a hammer and chisel. The holes should be completely dry and clear of any debris before installing the anchors into them.

**STEP 5** – Provide a path for bonding one (1) of the corner anchors, where required. Bonding is typically accomplished with a piece of 8-AWG solid copper wire connected to the bonding screw on the bondable insert (one of the four 1" x 4" anchor inserts).



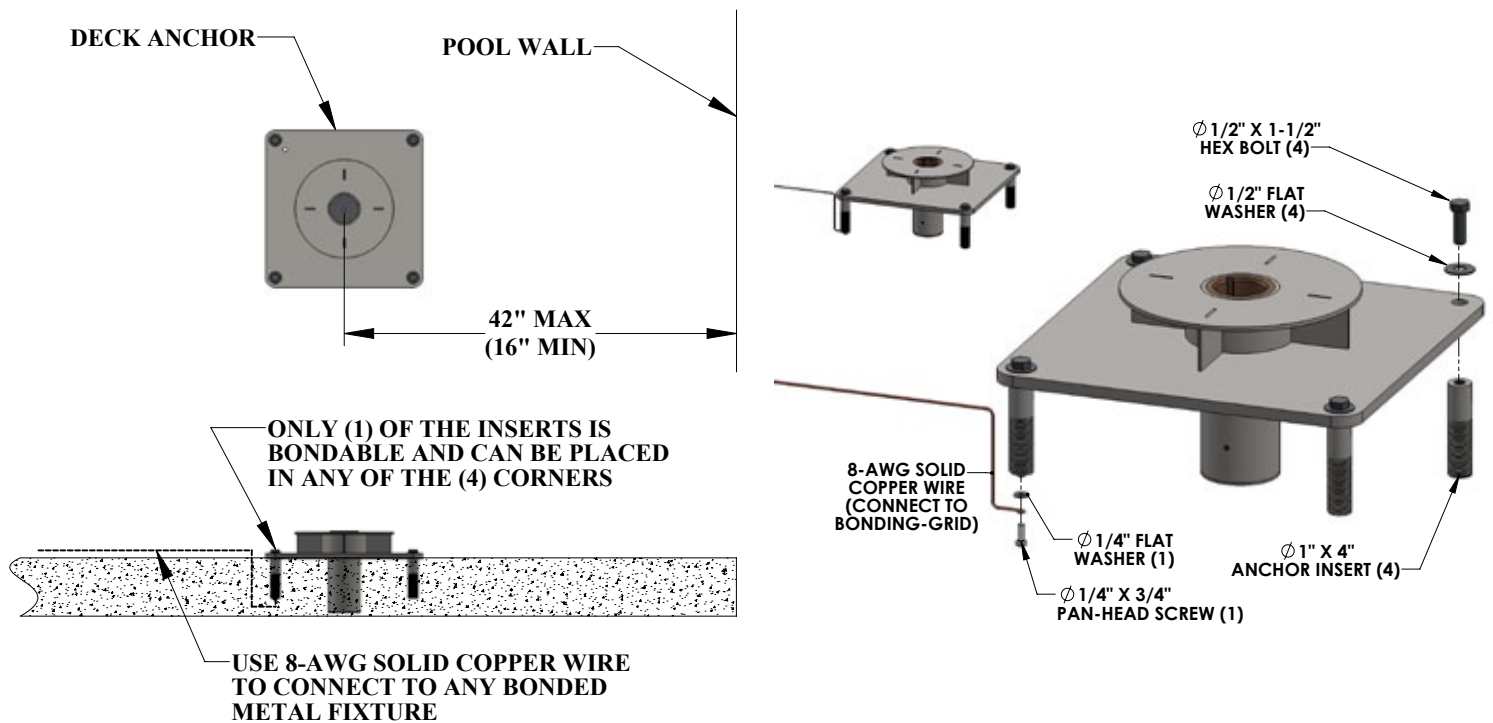
# Deck Anchor Installation Cont.

**STEP 6** – Assemble the Deck Anchor with the 8-AWG solid copper wire connected.

**STEP 7** – Fill holes half full of 2-part anchor adhesive\*. Mix epoxy adhesive per manufacturer's instructions.

**STEP 8** – Install fully assembled Deck Anchor into holes. Press down until Deck Anchor is flush with deck. Attach 8-AWG solid copper wire to bonding grid per local electrical code\*\*.

**Allow 24 hours minimum for adhesive to cure before installing the lift.**



\*Aqua Creek recommends either Hilti™ brand HIT RE-500-SD or Simpson™ brand SET XP or equivalent.

\*\*For more information on bonding see NEC Article 680.26.

# Lift Installation

Slide the lift into the anchor. Rotate the lift around until the fixing kit is lined up with threaded hole on the deck anchor. Place the plastic spacer between the fixing kit and the deck anchor and then lock in place using the 1/2" hex bolt and flat washer. See picture below.

