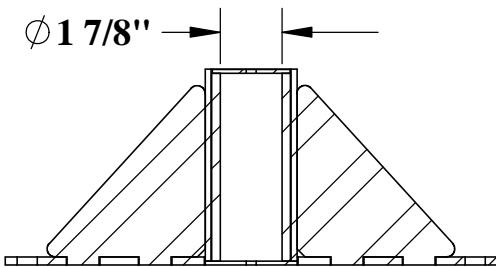
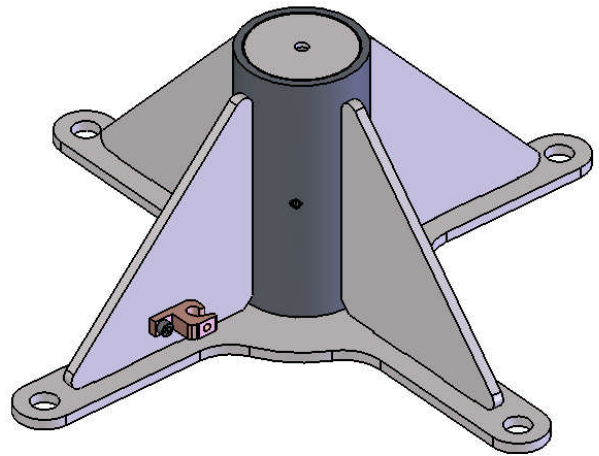
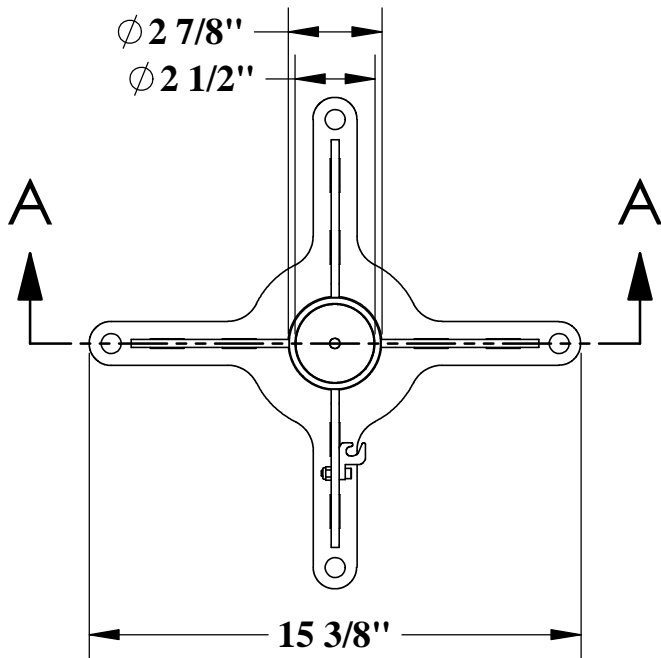
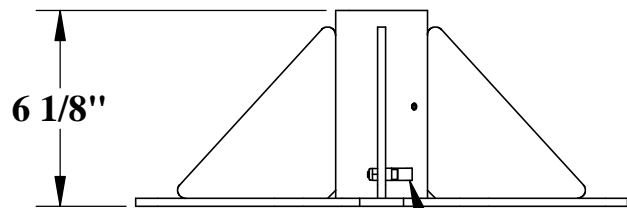


EZ & PEZ SURFACE MOUNT



SECTION A-A



GROUNDING LUG

SPECIFICATIONS

RATED CAPACITY: 400 LBS (181kg)
MAXIMUM SETBACK: 20" (508mm)



9889 GARRYMORE LANE
 MISSOULA, MT 59808
 (406) 549-0769
 FAX (406) 549-2602

NOTE:
 *SPECIFICATIONS ARE SUBJECT TO CHANGE WITHOUT NOTICE

PRODUCT:	F-035EZSM	
DWG #:	F-035EZSM-1	
SCALE:	1:6	DATE: 6/27/14
DRAWN BY:	KR	REVISION: B