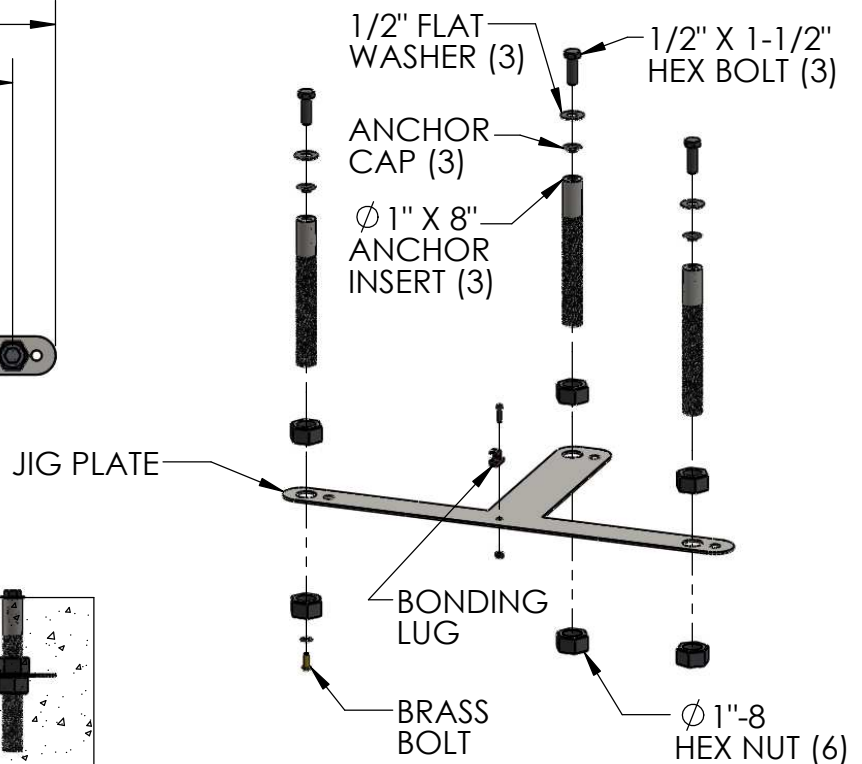
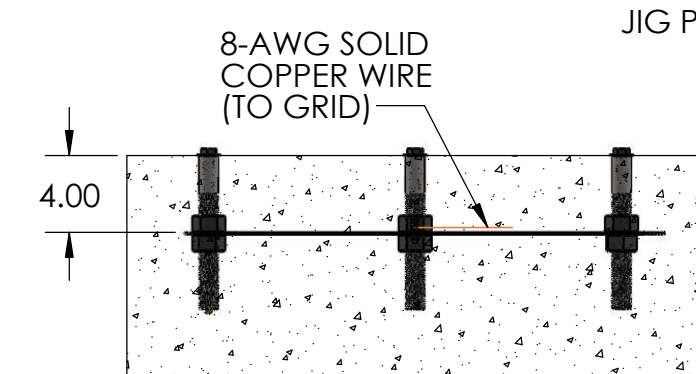
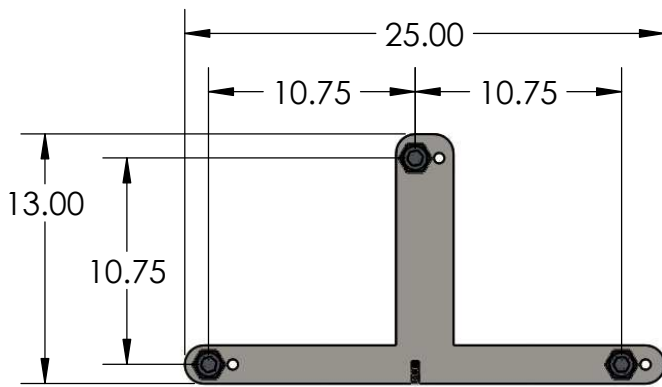


# SPA LIFT ELITE/ULTRA ANCHOR KIT



**PURPOSE:**

**FOR NEW OR RETROFIT INSTALLATION OF THE ADA COMPLIANT SPA LIFT ON ABOVE GROUND OR PARTIALLY RAISED POOLS AND SPAS. FOLLOW PRODUCT INSTALLATION INSTRUCTIONS.**

**TESTING & SAFETY:**

**INDEPENDENTLY VERIFIED TO MEET 2009 INTERNATIONAL BUILDING CODE, THE 2010 CALIFORNIA BUILDING CODE, AND ASCE7-05 WITH A SAFETY FACTOR OF 1.2 FOR THE DEAD LOAD AND 1.6 FOR THE LIVE LOAD WHEN INSTALLED ACCORDING TO INSTRUCTIONS. STRUCTURAL CALCULATIONS AVAILABLE UPON REQUEST.**

**INSTALLATION:**

**FOR INSTALLATION INTO REBAR REINFORCED CONCRETE POOL DECKS NO SMALLER THAN 3'-3" SQUARE BY 10" DEEP. REFER TO LIFT INSTALLATION INSTRUCTIONS FOR SPECIFICS. MUST BE BONDED ACCORDING TO NEC ARTICLE 680. OTHER CODES MAY APPLY; CHECK YOUR LOCAL CODE ENFORCEMENT AGENCY FOR SPECIFICS AND PERMIT REQUIREMENTS.**



**Aqua Creek Products**

The Total Solution for Pool and Spa Access

9889 GARRYMORE LANE  
 MISSOULA, MT 59808  
 (406) 549-0769  
 FAX (406) 549-2602

NOTE:  
 \*SPECIFICATIONS ARE SUBJECT TO CHANGE WITHOUT NOTICE

PRODUCT:	<b>F-SPAACK8</b>	
DWG #:	<b>F-SPAACK8-1</b>	
SCALE:	<b>1:10</b>	DATE: <b>1/20/16</b>
DRAWN BY:	<b>KR</b>	REVISION: <b>A</b>