

# Headrest Instructions

**PART #: F-422XR**

**MANDATORY – LEAVE THIS MANUAL WITH LIFT OWNER**



Read & Follow All Instructions  
Lift safety can only be ensured if the lift is installed  
and operated according to these instructions



**NEVER** permit children to play on or around the lift.  
Do not allow children to use the lift without adult supervision.



**NEVER** apply direct water pressure to the electronics



**NEVER** use the lift with a dry pool



For safety reasons, **NEVER** swim alone

9889 Garrymore Ln  
Missoula, MT 59808  
888-687-3552 | +1-406-549-0769  
aquacreek.com



**SAVE** a copy of these instructions

# Headrest Assembly Installation

The HEADREST ASSEMBLY attaches directly to the chair cradle, and is adjustable for optimum comfort. The components of the HEADREST ASSEMBLY are shown below, along with the lift, to show how it attaches. The headrest pad is removable for cleaning. Look over the diagram below to familiarize yourself with the components before installing and using the HEADREST ASSEMBLY.

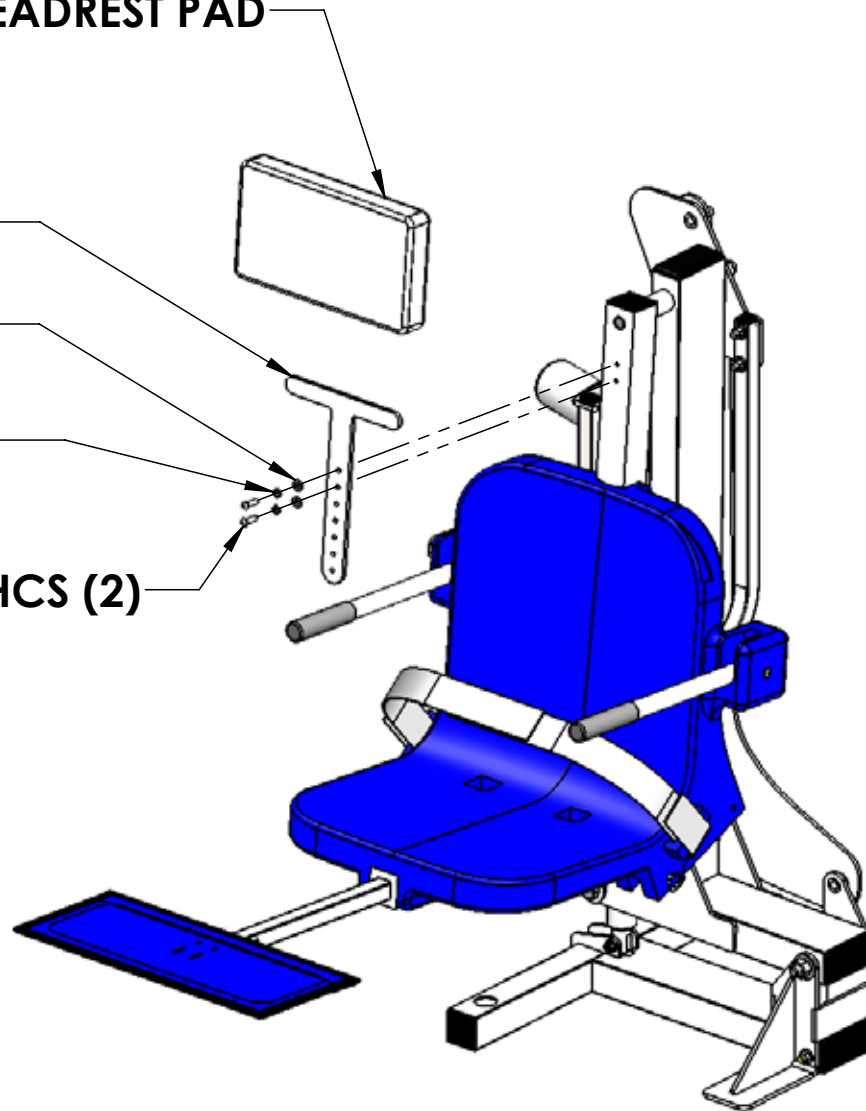
**P-422PLH: HEADREST PAD**

**PC3-130-00**

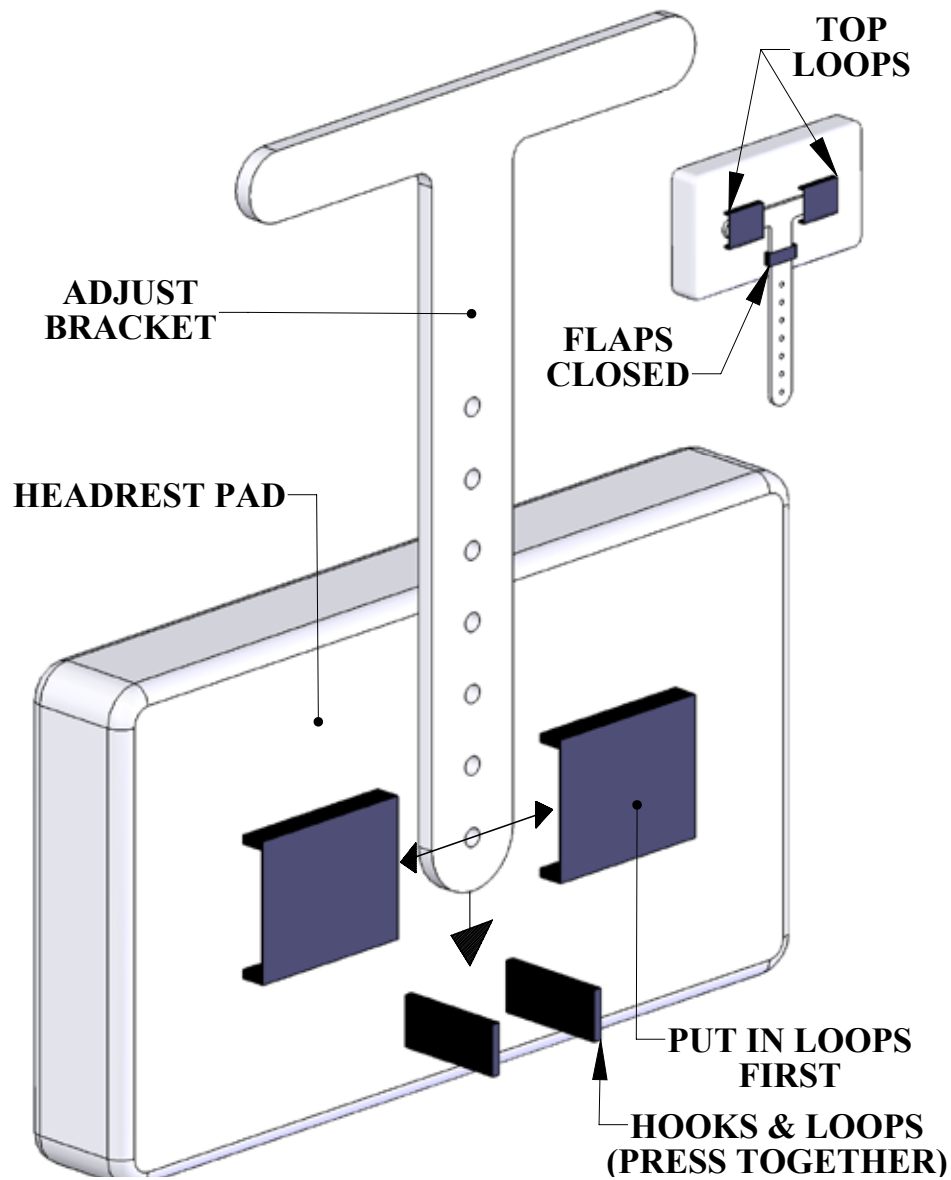
**Ø 1/4 FLAT  
WASHER (2)**

**Ø 1/4 LOCK  
WASHER (2)**

**Ø 1/4 X 1" BHCS (2)**



# Installing The Headrest Pad



The ADJUST BRACKET must be removed from the assembly to install or remove the HEADREST PAD. When installing the pad thread the bracket through the middle loop first and slide the pad up to the top loops. Thread the bracket through the top loops (one at a time) to complete the installation. To remove the pad, reverse this procedure.