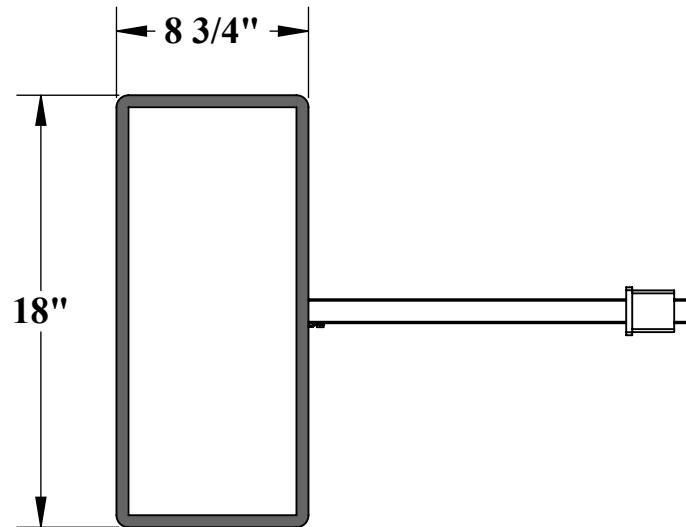
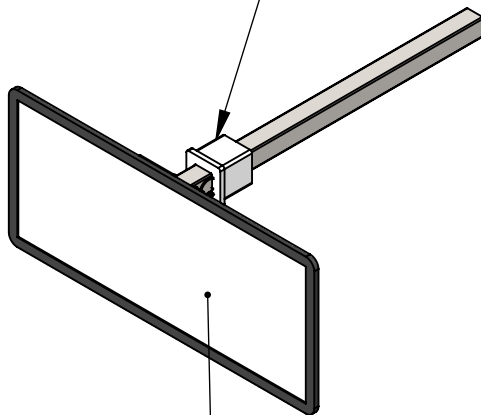


# PULL-OUT LEGREST

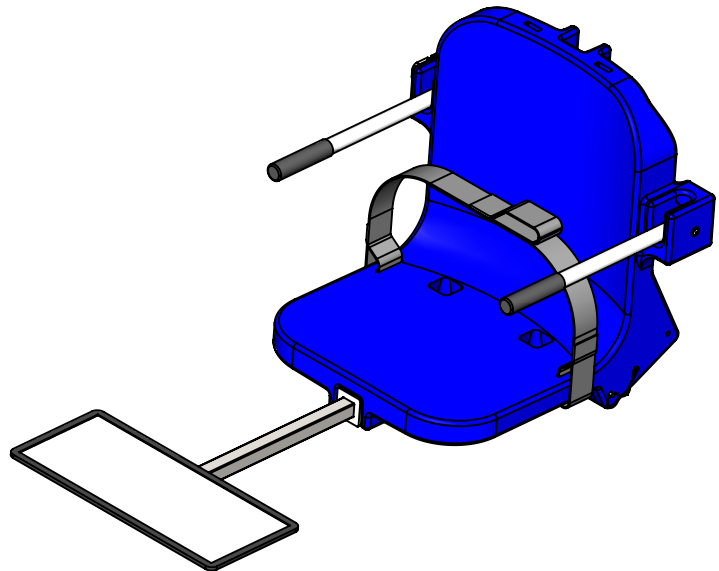


PLASTIC INSERT



LEGREST PAD

**LEGREST FLIPPED DOWN**



**LEGREST OUT AND UP**

**SPECIFICATIONS:**

THE PULL-OUT LEGREST SHALL BE CONSTRUCTED OF TYPE 304 STAINLESS STEEL. THE LEGREST SHALL BE EXTENDABLE TO ACCOMMODATE A WIDE RANGE OF USERS. THE LEGREST SHALL BE FLIPPED UP WHILE IN USE AND MAY BE EASILY FLIPPED DOWN. THE LEGREST PAD SHALL BE MADE OF CLOSED CELL FOAM, WITH FIBERGLASS REINFORCED VINYL COVER.



9889 GARRYMORE LANE  
 MISSOULA, MT 59808  
 (406) 549-0769  
 FAX (406) 549-2602

NOTE:  
 \*SPECIFICATIONS ARE SUBJECT TO CHANGE WITHOUT NOTICE

PRODUCT:		<b>PULL-OUT LEGREST</b>	
PART #:		<b>F-105LAR-01</b>	
SCALE:	<b>1:8</b>	DATE:	<b>3/1/2018</b>
DRAWN BY:	<b>KR</b>	REVISION:	<b>A</b>