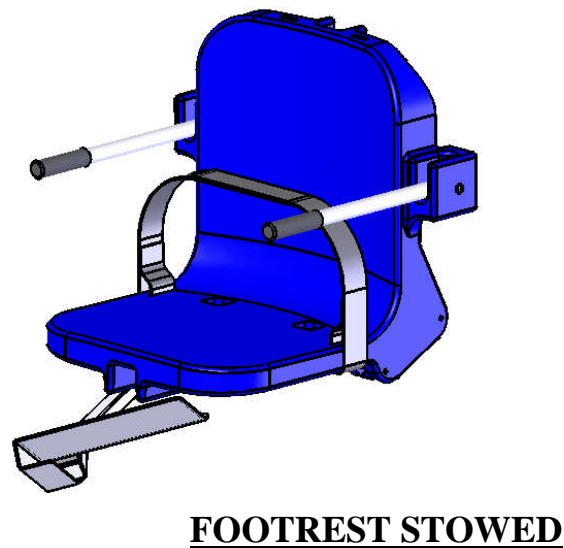
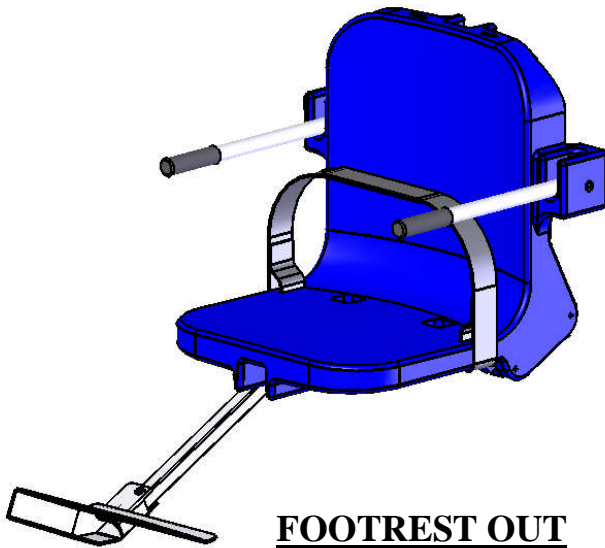
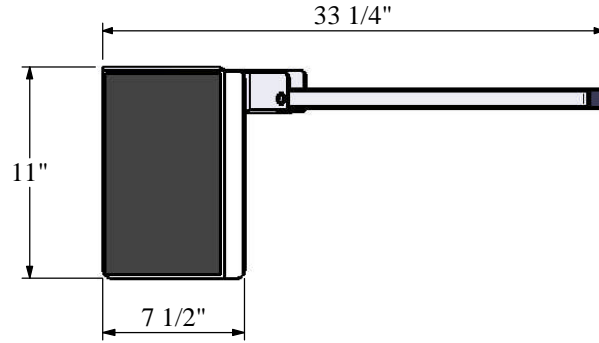


# REVERSE FOOTREST



## SPECIFICATIONS

FOOTREST BAR MATERIAL: TYPE 304 STAINLESS STEEL  
 FOOTREST MATERIAL: LLDPE POLYETHYLENE.

THE FOOTREST IS ADJUSTABLE FOR COMFORTABLE. THE FOOTREST SHOULD BE FLIPPED DOWN WHILE IN USE BUT CAN BE FLIPPED UP WHILE STOWED.



9889 GARRY MORE LANE  
 MISSOULA, MT 59808  
 (406) 549-0769  
 FAX (406) 549-2602

NOTE:  
 \*SPECIFICATIONS ARE SUBJECT TO CHANGE WITHOUT NOTICE  
 \*ALL DIMENSIONS ARE IN INCHES

PRODUCT:	REVERSE FOOTREST	
DWG #:	SA-0904FRA-R	
SCALE:	1:8	DATE: 10/16/13
DRAWN BY:	KR	REVISION: A