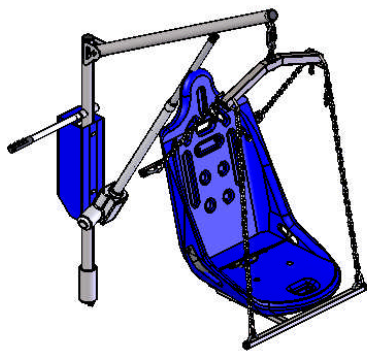
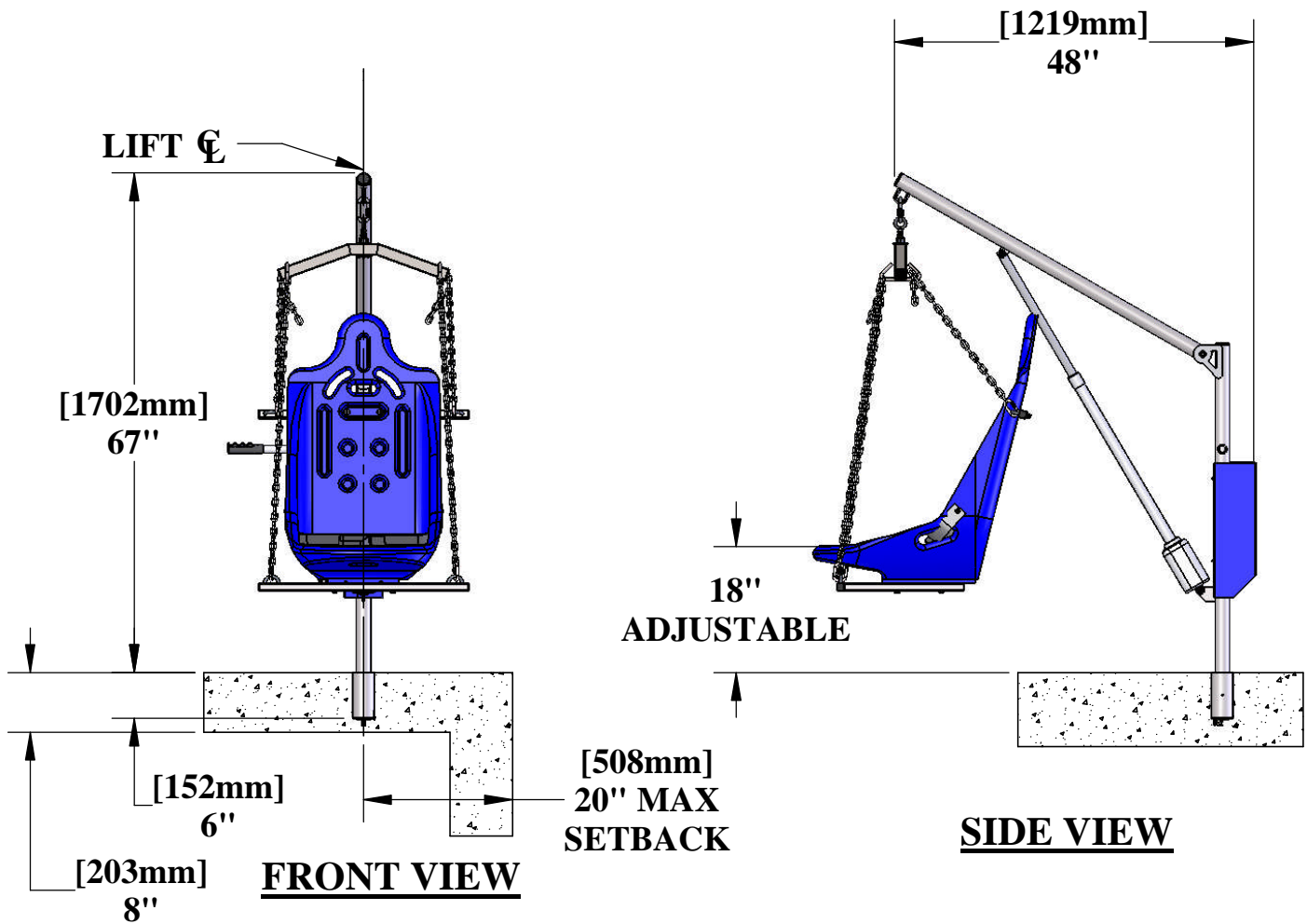
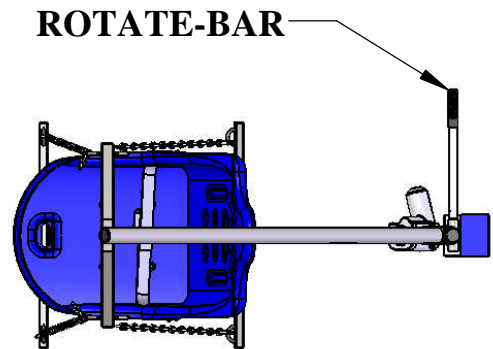


POWER-EZ POOL LIFT - HARD SEAT OPTION



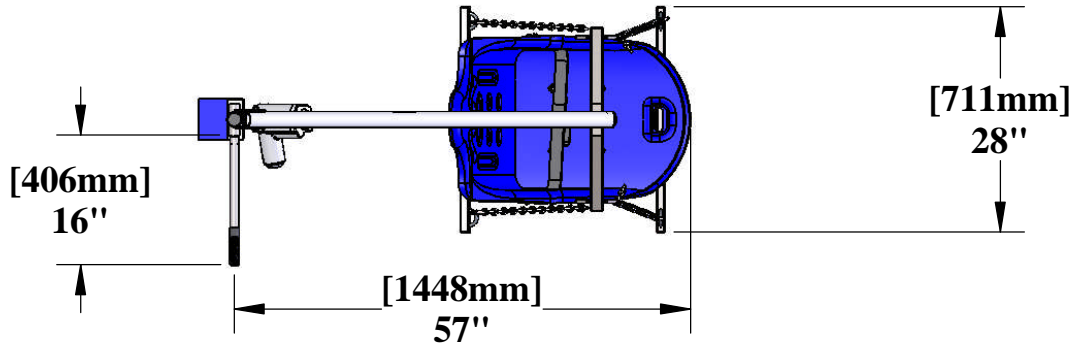
ISOMETRIC VIEW



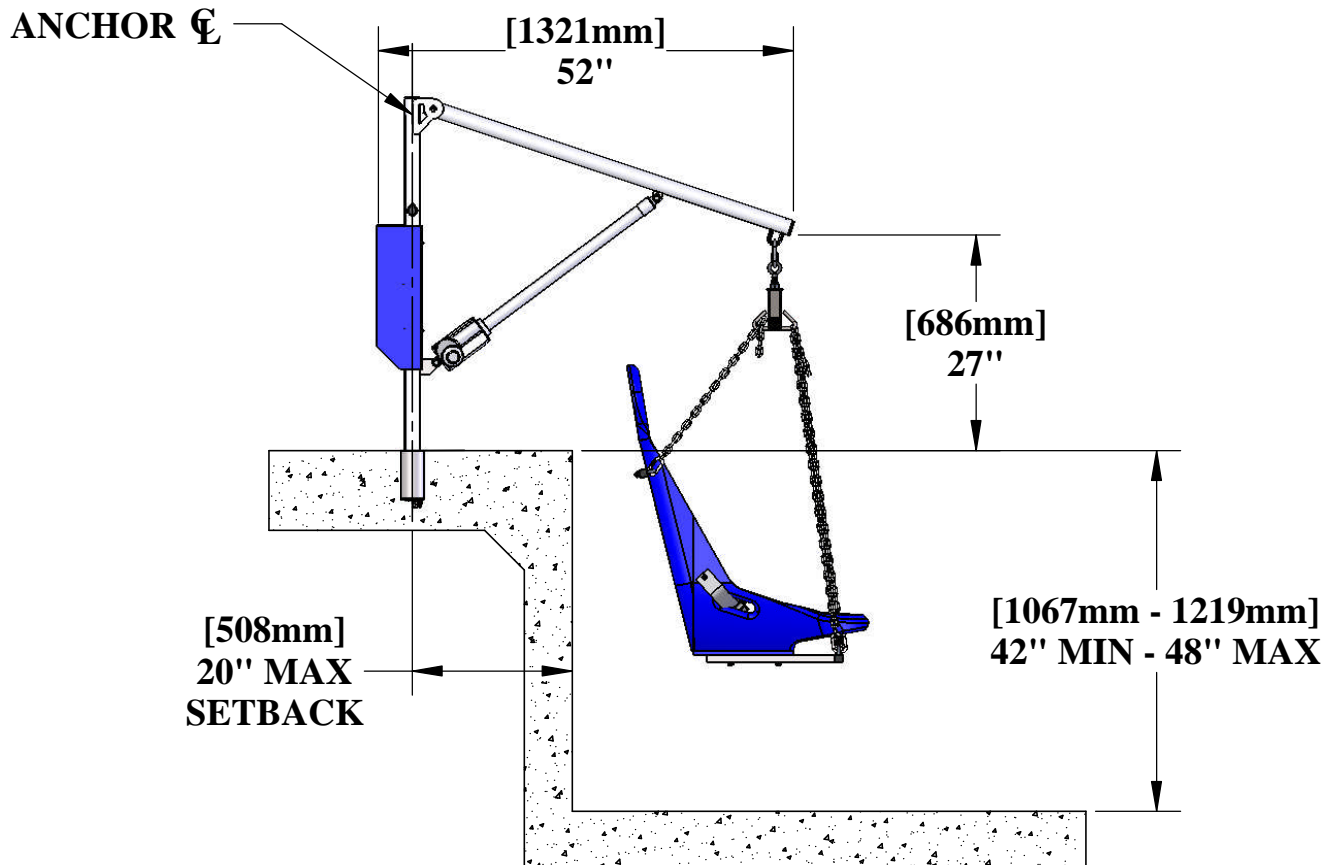
TOP VIEW

PRODUCT:		F-03PEZ & F-0320HSO	
DWG #:		F-03PEZ-0320HSO-1	
SCALE:	1:24	DATE:	11/19/14
DRAWN BY:	KR	REVISION:	E

POWER-EZ POOL LIFT - HARD SEAT OPTION



**TOP VIEW
(LIFT IN WATER)**



**SIDE VIEW
(LIFT IN WATER)**

PRODUCT:		F-03PEZ & F-0320HSO	
DWG #:		F-03PEZ-0320HSO-2	
SCALE:	1:24	DATE:	11/19/14
DRAWN BY:	KR	REVISION:	E

POWER-EZ POOL LIFT - HARD SEAT OPTION

SPECIFICATIONS:

LIFTING CAPACITY: 400 lbs [181 kg]
STATIC LOAD CAPACITY: 600 lbs [272 kg]

MAX. DRAFT (DECK TO WATER): 21" [533mm]
MAX. SETBACK (SEE PAGE 2): 20" [508mm]
MAX DEPTH (START @ 18" HT.): 39 [991mm]
OPERATING RANGE (UP-DOWN): 57" [1448mm]

OVERALL HEIGHT (MAX): 86" [2184mm]
MAX. WIDTH (DEPLOYED): 28" [711mm]
MAX. LENGTH (DEPLOYED): 51 3/4" [1314mm]

WEIGHT: 70 lbs [32kg]

MATERIALS:

MAST & BOOM ARM: TYPE 304 STAINLESS STEEL
CHAINS: TYPE 316 STAINLESS STEEL
SLING: 100% POLYESTER MESH
POWDER COATING: OFF-WHITE POLYESTER [PN: 1PC-108-1912 BX50]

STANDARD EQUIPMENT:

**ROTATE BAR
CHAIN SET**

**4-POINT HANGER BAR
HARD SEAT**

ACCESSORIES:

**HARD SEAT COVER
10" DEEP ANCHOR
WOOD DECK ANCHOR**

**CUSTOM EXTENDED ANCHOR ARM
SURFACE MOUNT ANCHOR
UPGRADE PACK**



9889 GARRYMORE LANE
MISSOULA, MT 59808
(406) 549-0769
FAX (406) 549-2602

NOTE:
*SPECIFICATIONS ARE SUBJECT TO CHANGE WITHOUT NOTICE

PRODUCT:		F-03PEZ & F-0320HSO	
DWG #:		F-03PEZ-0320HSO-3	
SCALE:	1:1	DATE:	11/19/14
DRAWN BY:	KR	REVISION:	E