

# Cycle Attachment Instructions



**PART #: F-019CA**

**MANDATORY – LEAVE THIS MANUAL WITH LIFT OWNER**



Read & follow all instructions  
Lift safety can only be ensured if the lift is installed  
and operated according to these instructions



**NEVER** permit children to play on or around the lift  
Do not allow children to use the lift without adult supervision



**NEVER** apply direct water pressure to the electronics



**NEVER** use the lift with a dry pool



For safety reasons, **NEVER** swim alone

9889 Garrymore Ln  
Missoula, MT 59808  
888-687-3552 | +1-406-549-0769  
aquacreek.com



**SAVE** a copy of these instructions

# Overview

Congratulations on your purchase of the finest available pool exercise equipment in the industry. With proper installation and operation, the Cycle Attachment will provide you with years of reliable operation. Please follow the instructions for operating and installing your exercise attachment. The Cycle Attachment will arrive fully assembled. Start by viewing FIGURE 1 below to familiarize yourself with the components. Then read this manual before attempting to install or operate this product.

## PARTS:

Main Frame w/length adjustment holes  
Tension Adjustment Knob  
Pedal Strap (2)  
Plastic Pedal (2)  
Hub Cap (2)  
Crank Arm (2)  
Cycle Attachment Armrests (2)  
Ø5/16" spring-pin (1)  
CA Sleeve (1)

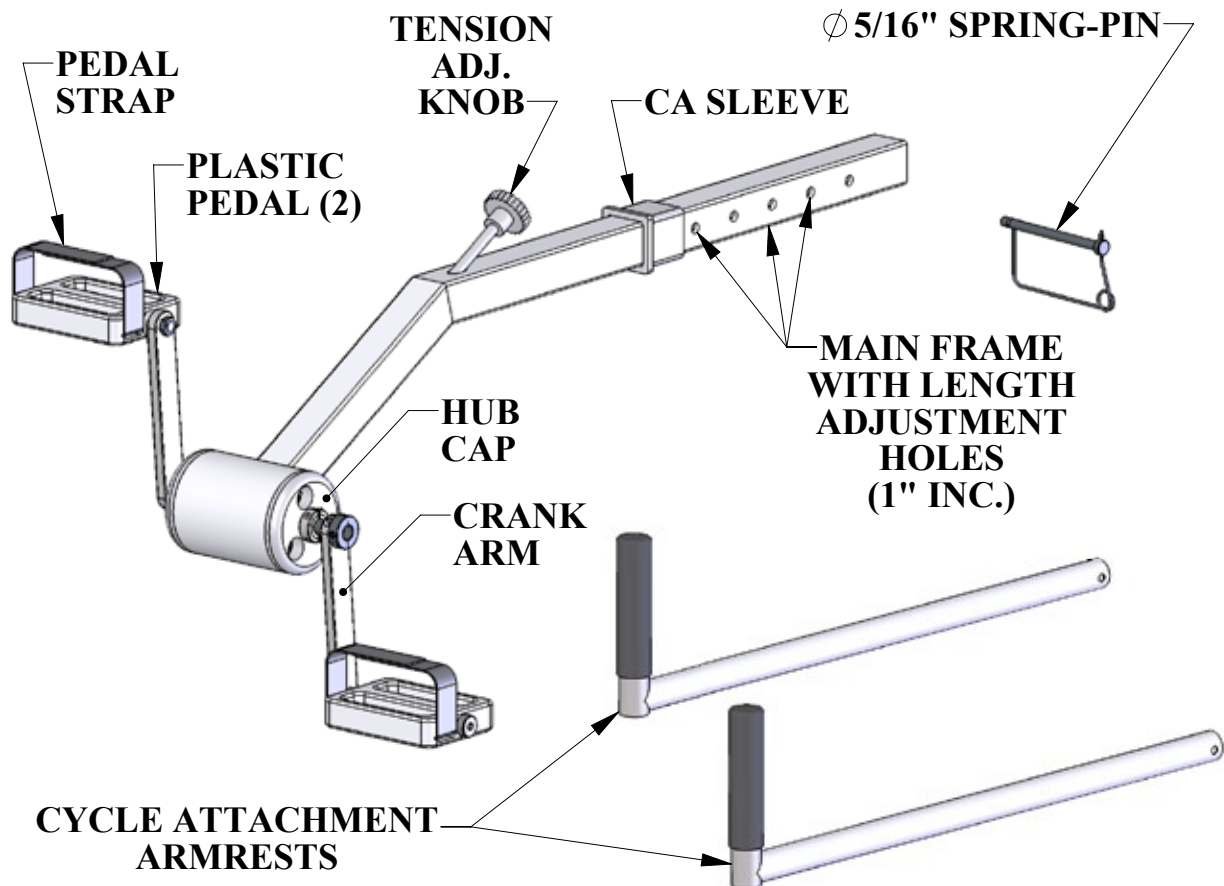
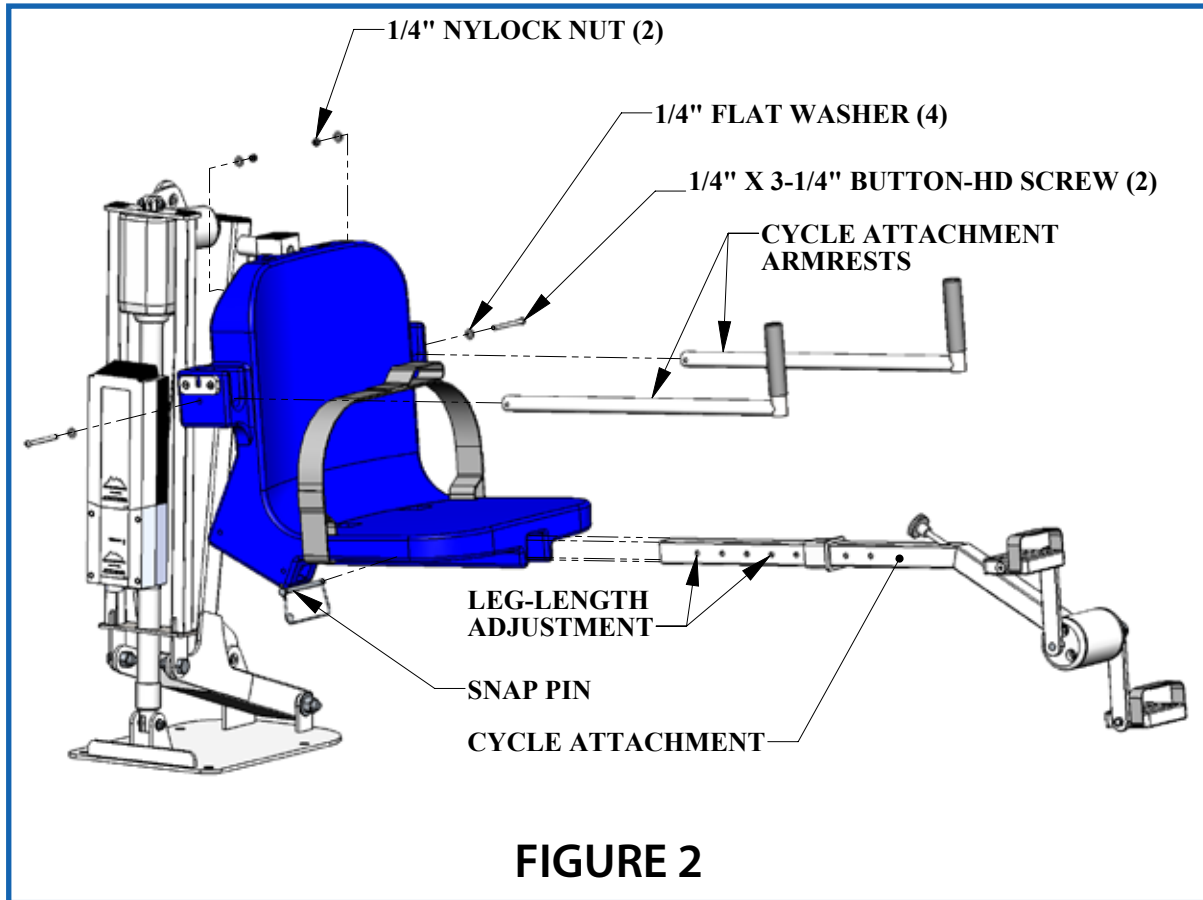


FIGURE 1

# Assembly Instructions



The Cycle Attachment will work on any standard Aqua Creek Products chair assembly. Shown above is the Cycle Attachment being installed on the Pro Pool lift. The Cycle Attachment Armrests require removing the existing armrests for installation.

**STEP 1:** Remove the 1/4" x 3" button-head screws, washers and nuts. Remove the existing armrests from the chair. Replace with the Cycle Attachment Armrests (FIGURE 3-A, next page). Make sure the handgrips are facing upwards.

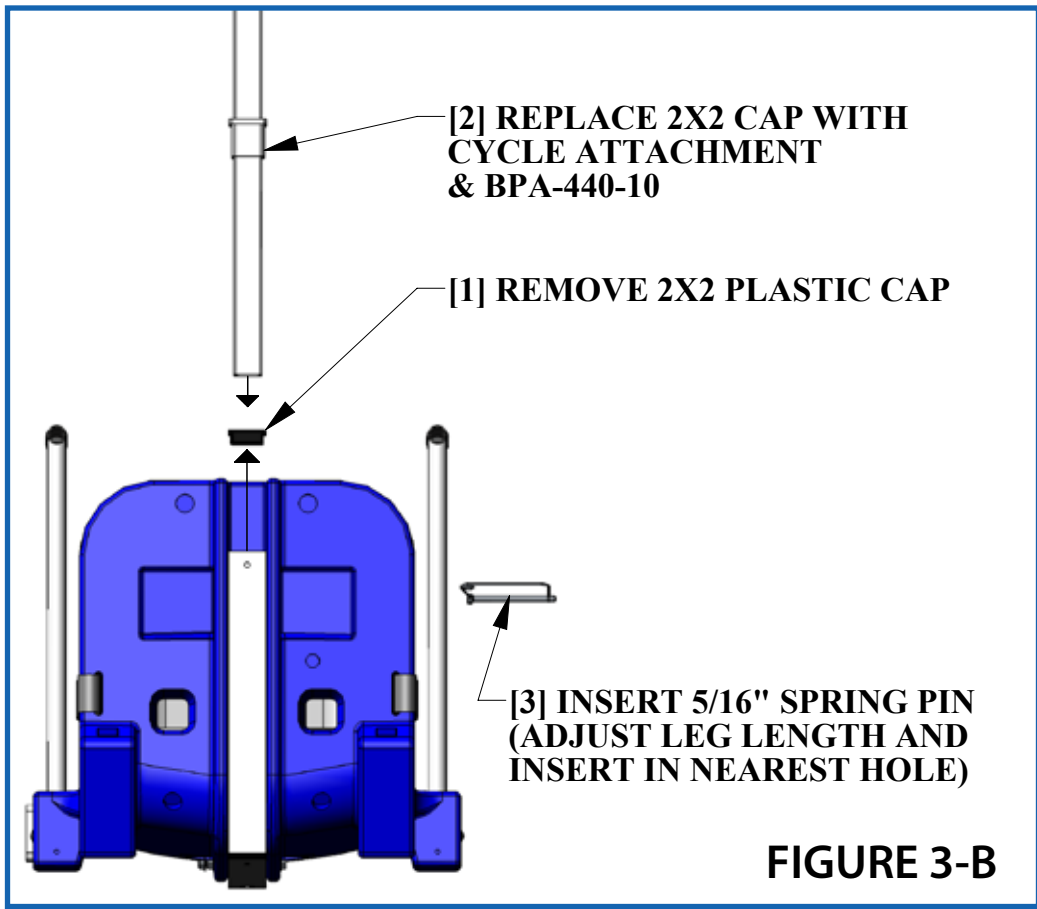
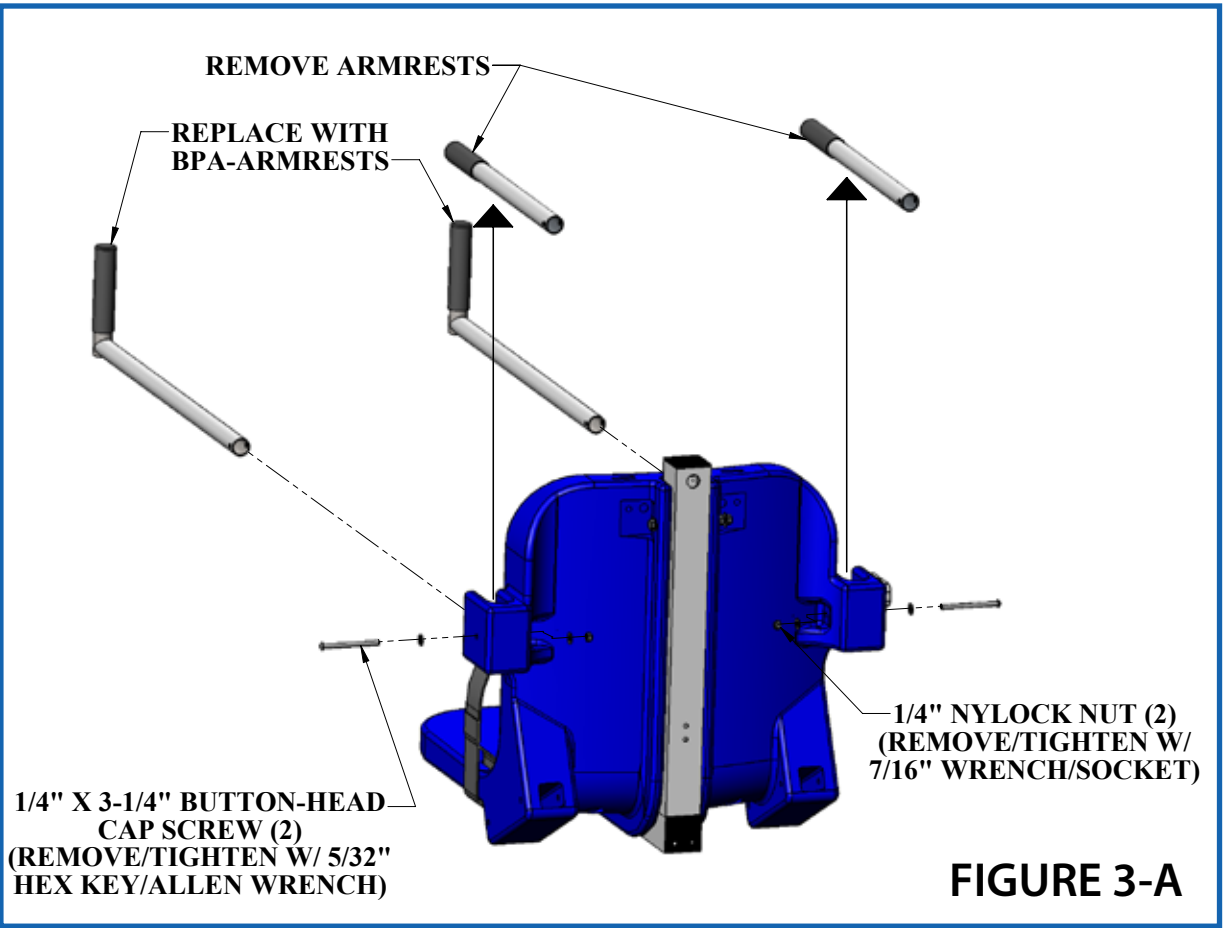
**STEP 2:** Reinstall the 1/4" button-head screws and hardware. Tighten until snug.

**STEP 3:** Remove the 2" square plastic end-cap from the front of the chair-support tube (front of chair between legs, see next page FIGURE 3-B).

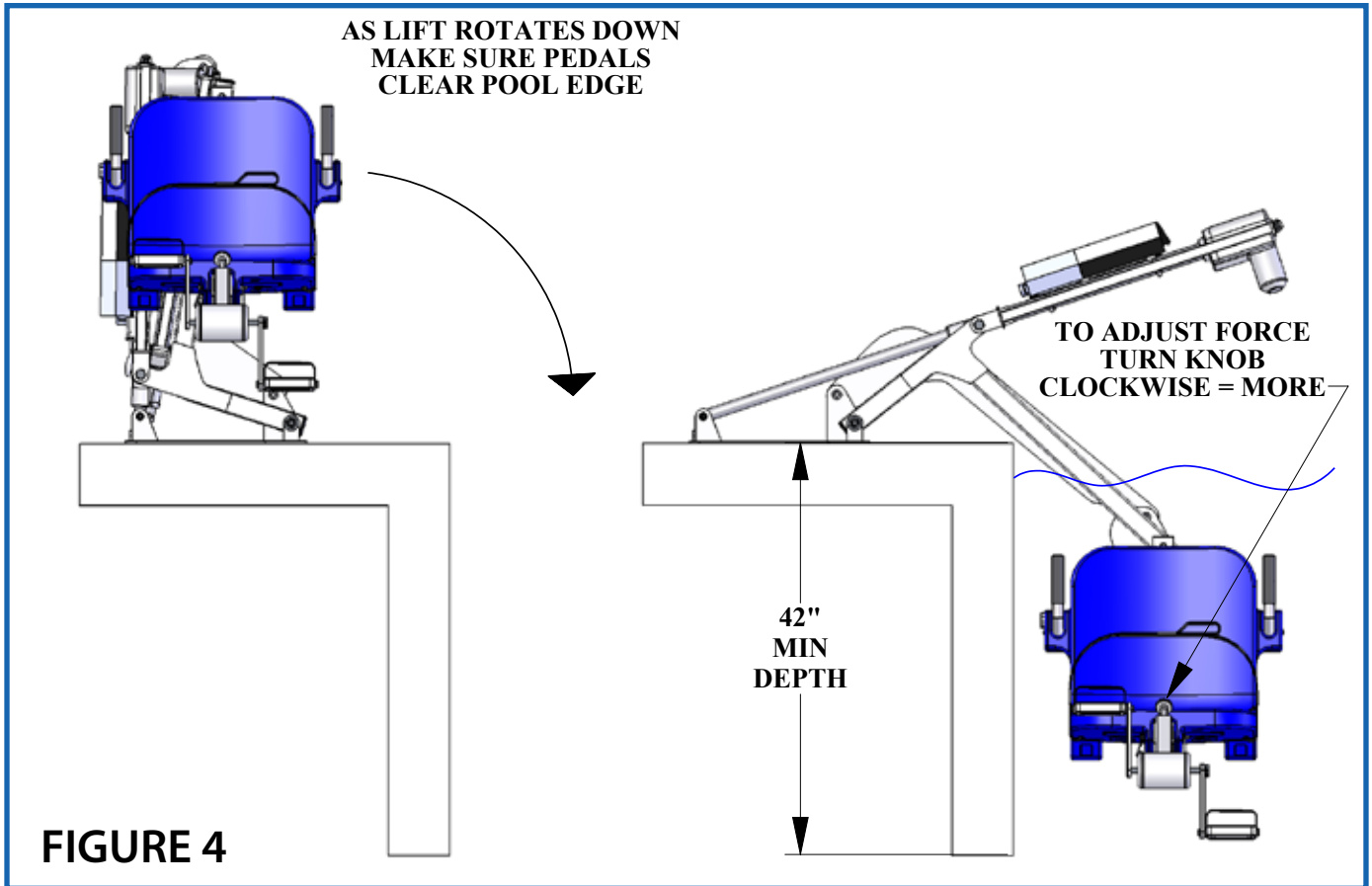
**STEP 4:** Slide the Bike-Pedal Attachment into the chair-support tube. Align one of the leg-length adjustment holes with the holes through the chair and the chair-support tube (FIGURE 3-B, next page).

**STEP 5:** Install 5/16" spring-pin into aligned holes, and clip the spring over the end.

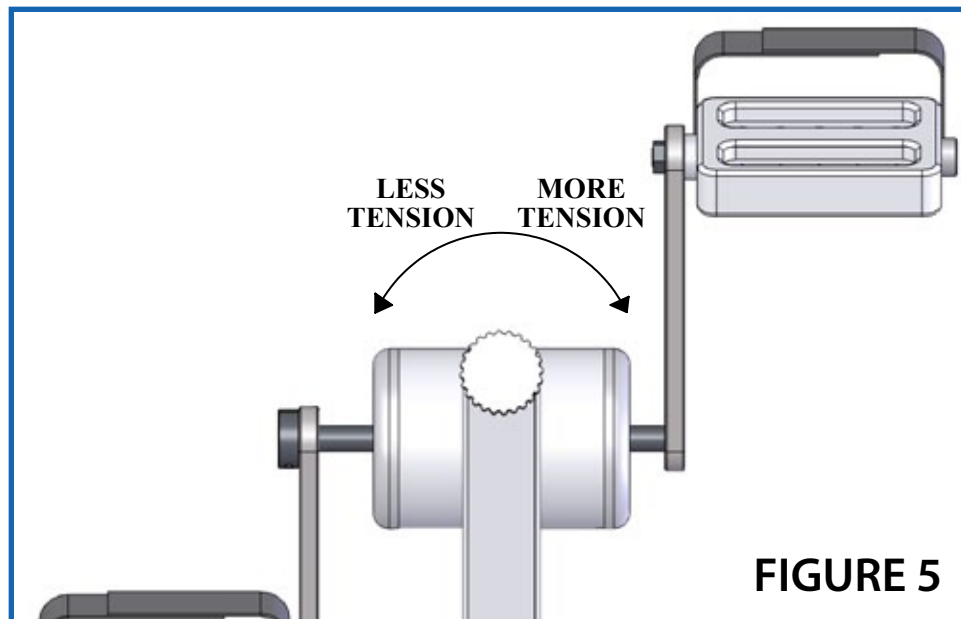
The Cycle Attachment is now ready for use.



# Operating Instructions



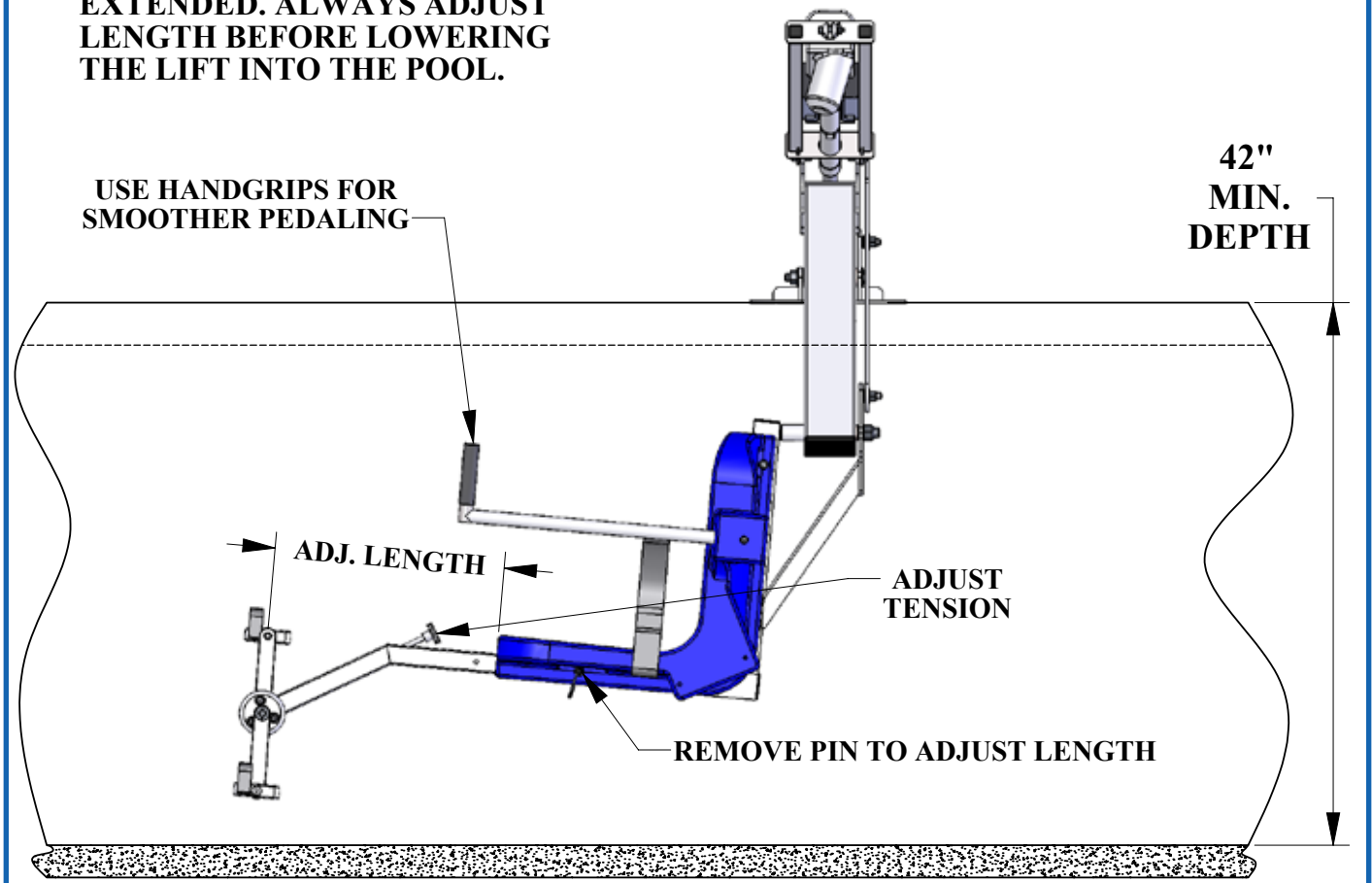
Once the Cycle Attachment has been installed onto an Aqua Creek Products' lift it is ready for use. Make sure to always fasten the safety belt when using the lift. Once in the water, hold onto the hand-grips and pedal normally. If you need more (or less) resistance, turn the adjustment knob; clockwise for more tension, counterclockwise for less, as shown in FIGURE 5.



# Adjustment Options

FIGURE 6

**ADJUST LENGTH SO LEGS ARE SLIGHTLY BENT WHEN EXTENDED. ALWAYS ADJUST LENGTH BEFORE LOWERING THE LIFT INTO THE POOL.**



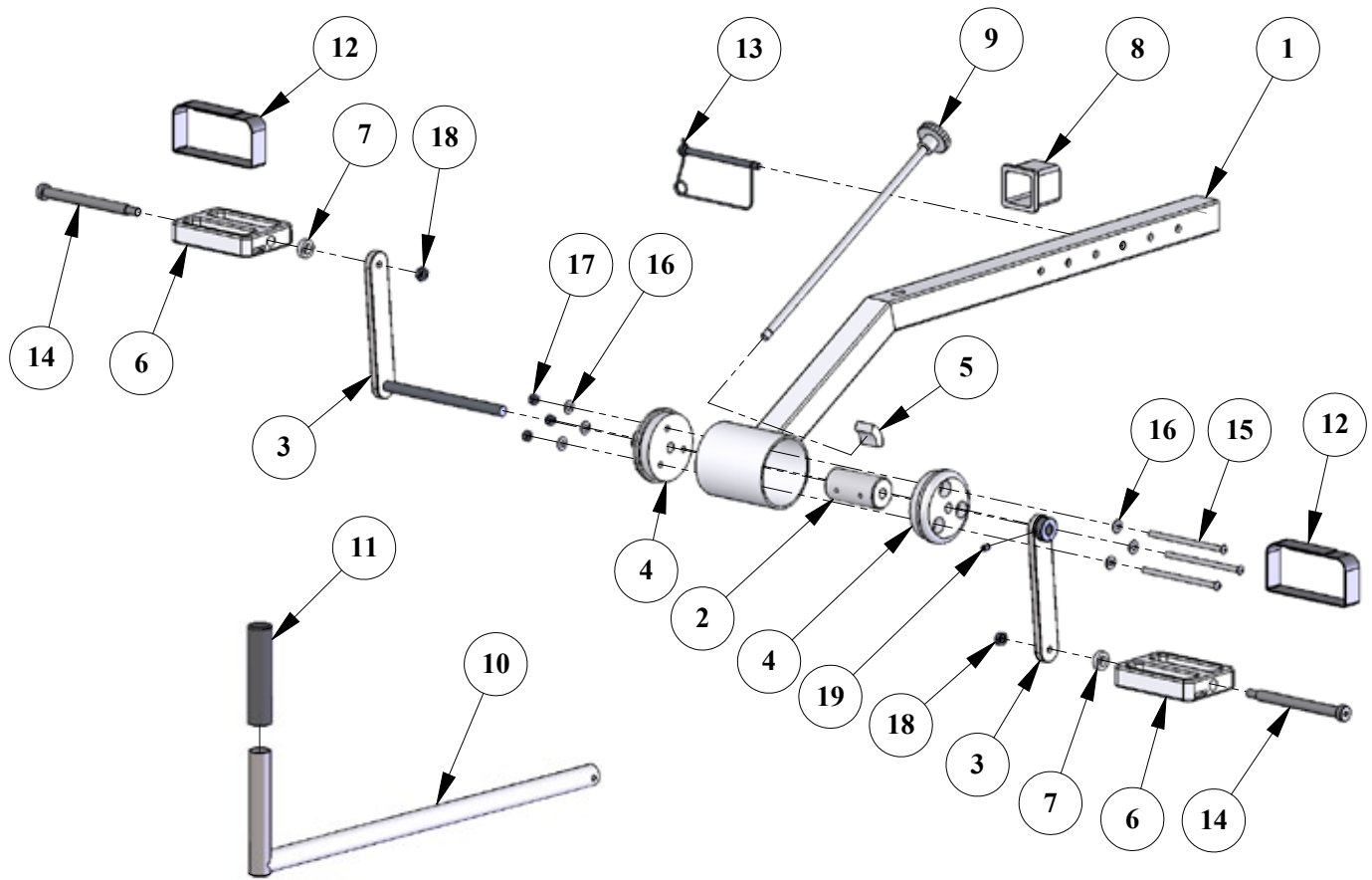
The Cycle Attachment will function optimally in water a minimum of 42" deep (from the deck to the pool floor). It is also important to adjust the length of the attachment until your legs are slightly bent when at their fullest extension. This is easily accomplished by removing the pin from underneath the chair and sliding the attachment in or out until the desired length is achieved. Then be sure to reinstall the pin, into the closest available hole.

**ALWAYS ADJUST THE LENGTH BEFORE LOWERING INTO THE POOL!**

Tension may be adjusted once in the water, and may be adjusted at any time during exercise, as shown in FIGURE 5.

The armrests and handgrips are useful for making pedaling smoother. By taking a firm grip with both hands (if possible) the user may minimize side-to-side motion and improve exercising efficiency. Pedaling will not only be smoother but will feel more natural. Try different tension settings and length adjustments to find your own "comfort zone".

# Parts List



ITEM #	QTY	PART #	DESCRIPTION
1	1	BPA-100-30	FRAME ASSEMBLY
2	1	BPA-220-10	CRANK SPACER
3	2	BPA-300-10	CRANK ARM
4	2	BPA-400-00	HUB CAP
5	1	BPA-410-00	BRAKE PAD
6	2	BPA-420-20	PLASTIC PEDAL
7	2	BPA-430-00	PLASTIC SPACER
8	1	BPA-440-10	CA SLEEVE
9	1	BPA-500-00	ADJUSTMENT KNOB
10	2	BPA-600-00	ARMREST ASSEMBLY
11	2	RUBBER HAND GRIPS	HAND GRIPS, BLACK RUBBER
12	2	FOOT-STRAP	FOOT STRAP FOR PEDAL
13	1	SNAP PIN 5/16 X 4 1/2" SS	5/16" X 4 1/2" SNAP PIN, SS
14	2	BOLT, 1/2 X 5 SHOULDER	1/2" X 5" SHOULDER BOLT, SS
15	3	BOLT, 1/4 X 4 1/2 HCS, SS	1/4" X 4 1/2" HEX BOLT, SS
16	6	FLAT WASHER, 1/4 SS	1/4" FLAT WASHER, SS
17	3	NYLOCK, 1/4 SS	1/4" NYLOCK, SS
18	2	NUT, 3/8-16 HEX JAM	3/8"-16 HEX JAM NUT, SS
19	1	SET SCREW, 1/4 X 3/8	1/4" X 3/8" SET SCREW, SS

# Aqua Creek Products, LLC Limited Warranty: Cycle Attachment

Aqua Creek Products lifts have a Limited Lifetime Warranty on the frames, not including the powder coat finish.

Aqua Creek Products, LLC (a.k.a. Aqua Creek) also warrants to the original end user that all non-frame components manufactured by Aqua Creek, when properly installed in accordance with assembly and installation instructions, and properly used and maintained, shall be free from defects in material and workmanship for a period of five (5) years from the date of original purchase, provided that Aqua Creek receives prompt notice in writing of any defect or failure and satisfactory proof thereof, with the following exceptions:

Exception : All electrical components, including the linear actuator shall have the following warranty period:

Year 1-2: 100% Coverage

Year 3: 60% Coverage (Customer is responsible for 40% of replacement cost)

Year 4: 50% Coverage (Customer is responsible for 50% of replacement cost)

Year 5: 40% Coverage (Customer is responsible for 60% of replacement cost)

This warranty specifically excludes reimbursement for labor to remove, repair, or install the product and any return freight charges.

These warranties do not cover any damages due to accident, misuse, abuse, negligence or failure to properly maintain any products, or normal wear and tear from day to day operations. In the event that any products are altered, repaired, or improperly installed or improperly used by anyone without the prior written approval by Aqua Creek, all warranties are void. **IMPORTANT: AMOUNT OF WEIGHT PLACED ON LIFT SHALL NOT EXCEED THE RATED LIFTING CAPACITY OF 450 POUNDS [204 kg] FOR THE CYCLE ATTACHMENT.**

To initiate a warranty claim, the owner of an Aqua Creek product must provide the place of purchase, in writing, with a full description of the product, its serial number, the dates of purchase and installation, and the exact nature of the defect. Within thirty (30) days after receipt of a written warranty claim by Aqua Creek, and barring any unforeseen delays, the place of purchase will be notified of Aqua Creek's decision regarding the claim.

If requested by Aqua Creek, any defective product must be returned, freight prepaid, to Aqua Creek's designated factory location or duly appointed distributor for inspection and/or repair. Aqua Creek will, at its option, repair or replace the failed or defective item, and deliver the repaired product or replacement to the buyer of the product, freight prepaid to the destination provided for in the original order. Products returned to Aqua Creek for which Aqua Creek provides replacement under this limited warranty shall become the property of Aqua Creek.

A new warranty period shall NOT be established for the repaired or replaced products. Such products shall remain under warranty only for the remainder of the original warranty period on the original products purchased.

This written limited warranty constitutes the final, complete and exclusive statement of warranty terms. No person or organization is authorized to make any other specific or implied warranties or representations on behalf of Aqua Creek.

THE WARRANTIES SET FORTH HEREIN ARE IN LIEU OF ALL OTHER WARRANTIES, EXPRESSED OR IMPLIED, WHICH ARE HEREBY DISCLAIMED AND EXCLUDED, INCLUDING WITHOUT LIMITATION ANY WARRANTY OF MERCHANTABILITY OR FITNESS FOR A PARTICULAR PURPOSE OR USE.

THE SOLE AND EXCLUSIVE REMEDIES FOR BREACH OF ANY AND ALL WARRANTIES WITH RESPECT TO THE PRODUCTS SHALL BE LIMITED TO REPAIR OR REPLACEMENT AT AQUA CREEK'S DESIGNATED FACTORY LOCATION, OR DULY APPOINTED DISTRIBUTOR, OR IN PLACE AT AQUA CREEK'S OPTION. IN NO EVENT SHALL AQUA CREEK'S LIABILITY EXCEED THE ENTIRE AMOUNT PAID TO AQUA CREEK BY THE ORIGINAL PURCHASER FOR THE FAILED OR DEFECTIVE PRODUCT.

IN NO EVENT SHALL AQUA CREEK PRODUCTS, LLC BE LIABLE FOR ANY INCIDENTAL, CONSEQUENTIAL, SPECIAL, INDIRECT, PUNITIVE OR EXEMPLARY DAMAGES OR LOST PROFITS FROM ANY BREACH OF THIS LIMITED WARRANTY OR OTHERWISE.

Aqua Creek Products, LLC  
9889 Garrymore Lane  
Missoula, MT 59808  
Toll Free: (888) 687-3552  
Local/Intnl: (406) 549-0769  
[www.aquacreek.com](http://www.aquacreek.com)