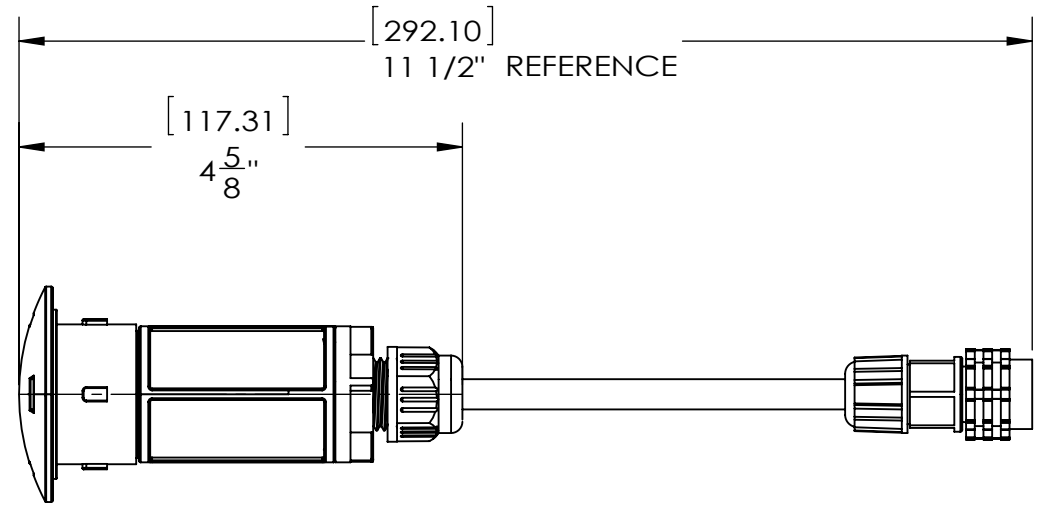
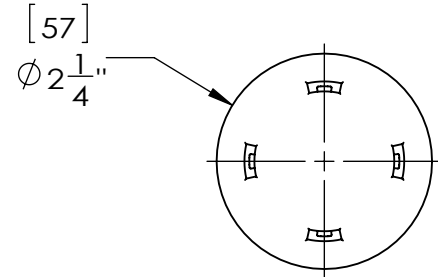
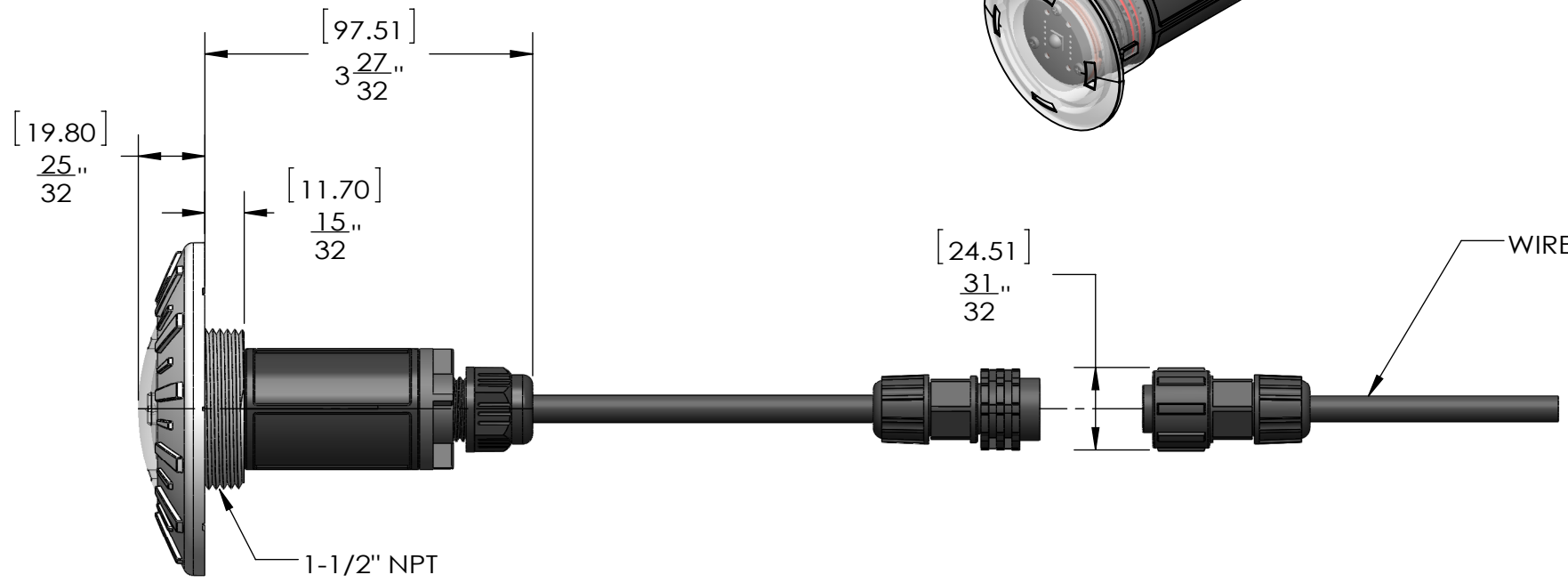
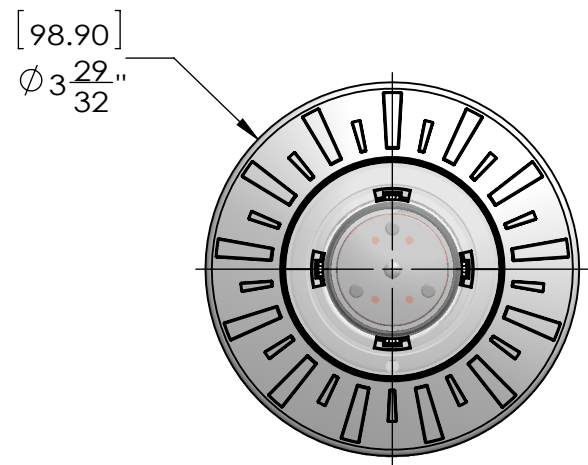
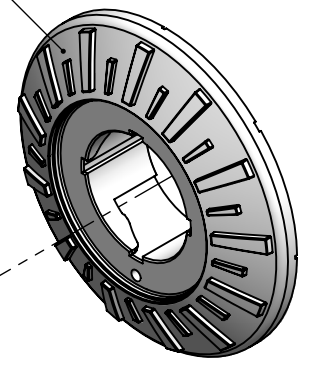


BRILLIANT WONDERS
1.5" LED LIGHT MODULE



FACEPLATE

LIGHT MODULE



BRILLIANT WONDERS
1.5" LED LIGHT MODULE
WITH FACEPLATE

- NOTES:
- ALL IMPERIAL FRACTIONS ARE ROUNDED TO THE CLOSEST 1/32"
 - FOR MORE ACURATE DIMENSIONS REFER TO METRIC DIMENSIONS.

PROPRIETARY AND CONFIDENTIAL
THE INFORMATION CONTAINED IN THIS DRAWING IS THE SOLE PROPERTY OF CUSTOM MOLDED PRODUCTS. ANY REPRODUCTION IN PART OR AS A WHOLE WITHOUT THE WRITTEN PERMISSION OF CUSTOM MOLDED PRODUCTS IS PROHIBITED.

- UNLESS OTHERWISE SPECIFIED DIMENSIONS ARE IN MILLIMETERS
- UNLESS OTHERWISE SPECIFIED ALL SHARP EDGES ARE 0.5mm FILLET

TOLERANCES:
X.X ± 0.2 mm
X.XX ± 0.10 mm
X.XXX ± 0.050 mm
ANGULAR: ± 0.5°

MATERIAL
-

FINISH
-

PART NUMBER: 25501-000-000	
PROJECT #/WORK ORDER #:	
DRAWN BY jheaven	DATE 2015.10.06
MANUFACTURING CHECK	
ENGINEERING APPROVAL	
CAD GENERATED DRAWING DO NOT MANUALLY UPDATE	



TITLE: Brilliant Wonders 1.5" LED Light

DWG. NO.
1.5in-LED-Dimension-Drawing

REV
A

SCALE: 1:2 WEIGHT: N/A

SHEET 1 OF 1