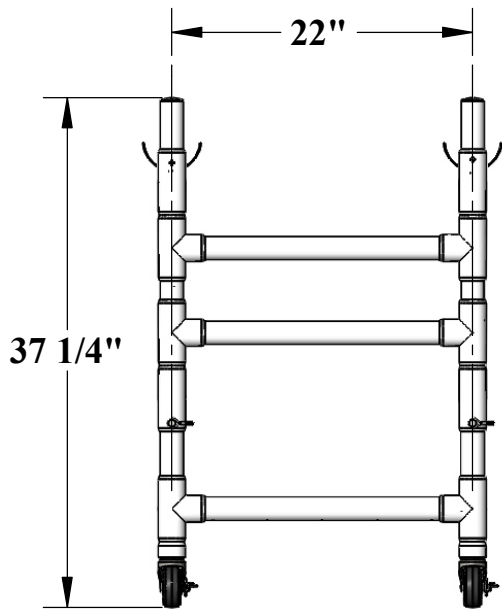
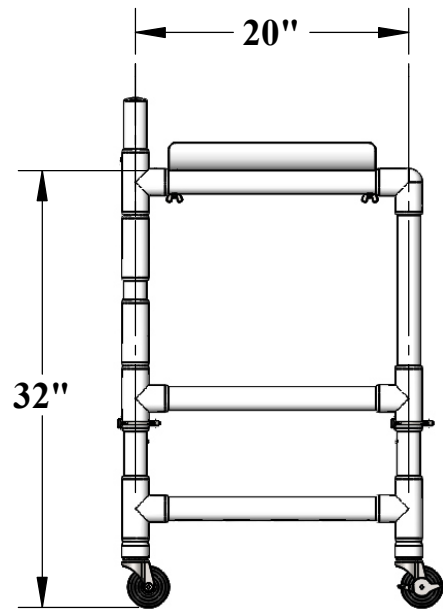


AQUA WALKER

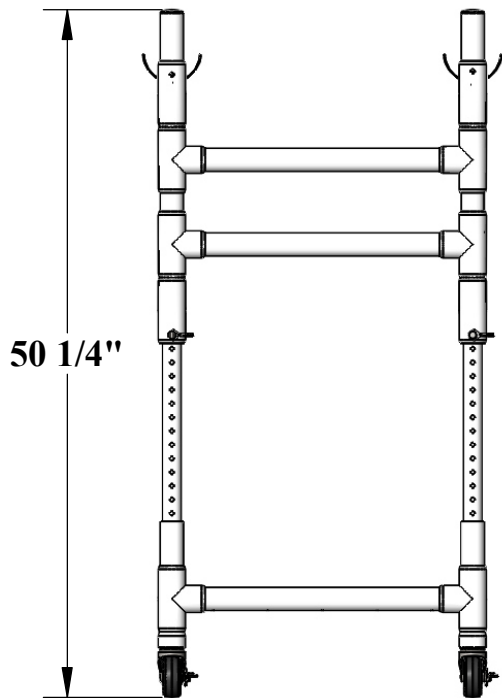


FRONT VIEW

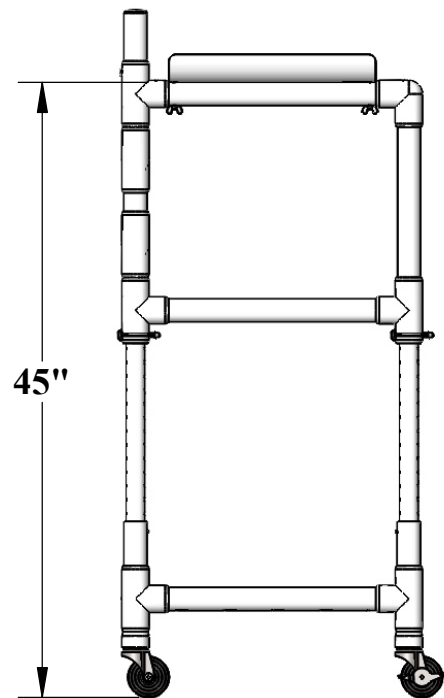


SIDE VIEW

SHOWN AT LOWEST HEIGHT ADJUSTMENT



FRONT VIEW



SIDE VIEW

SHOWN AT HIGHEST HEIGHT ADJUSTMENT

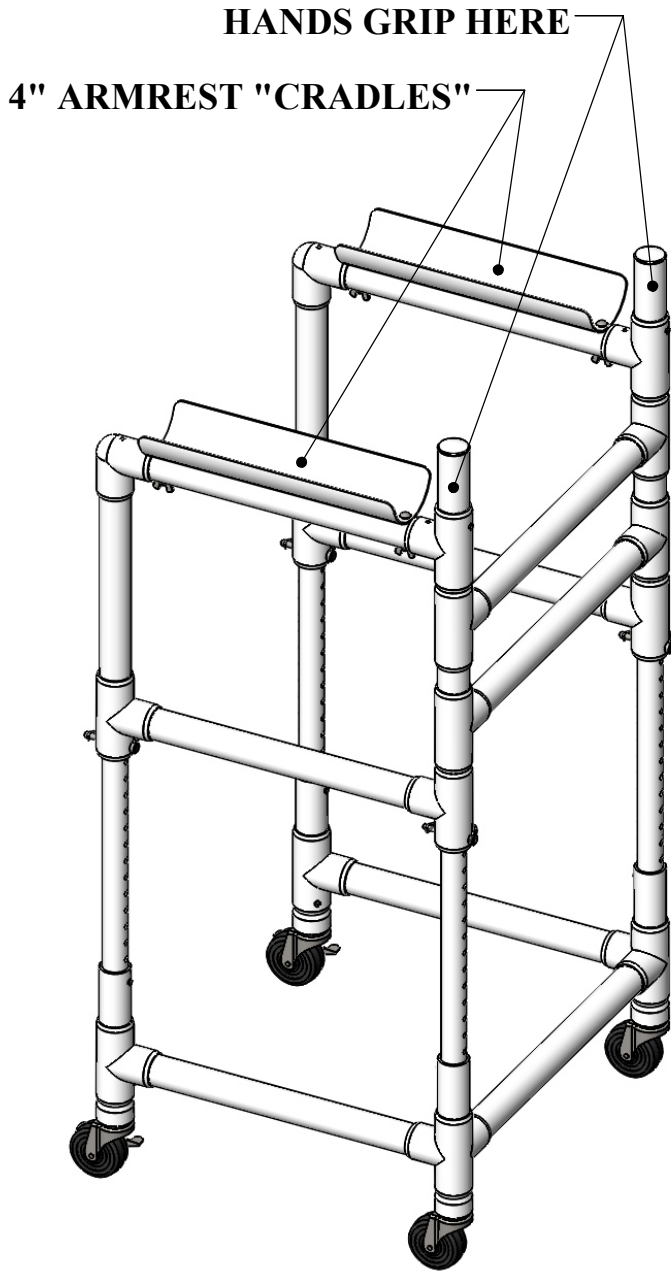


9889 GARRYMORE LANE
 MISSOULA, MT 59808
 (406) 549-0769
 FAX (406) 549-2602

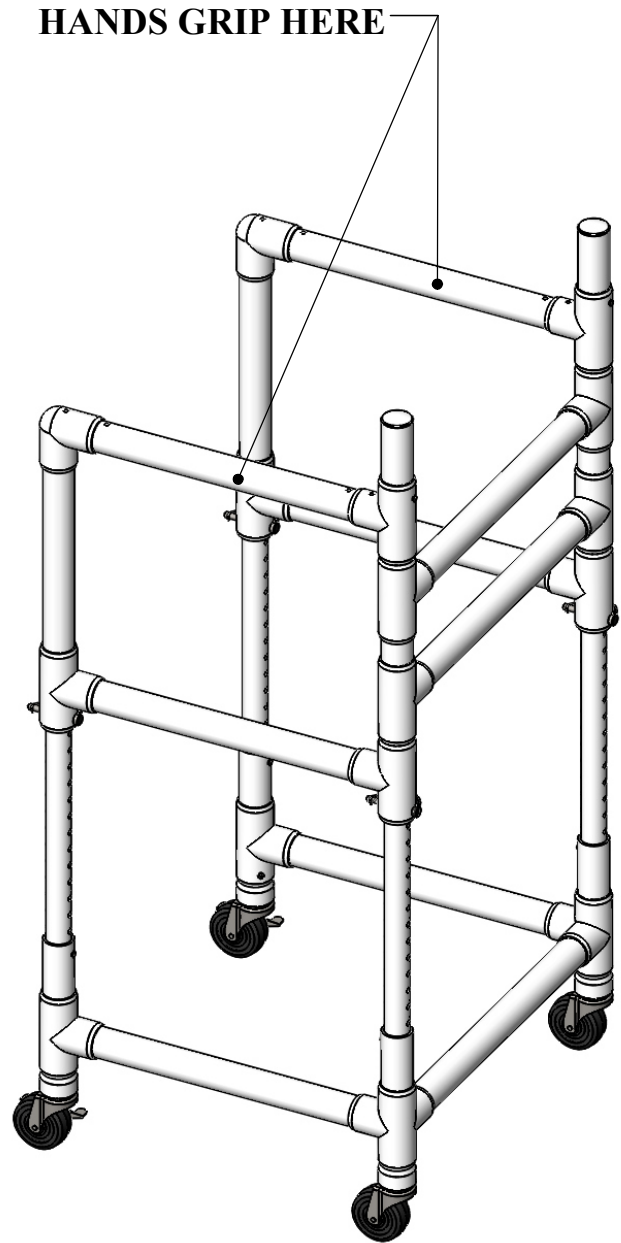
NOTE:
 *SPECIFICATIONS ARE SUBJECT TO CHANGE WITHOUT NOTICE

PRODUCT:		F-605UW	
DWG #:		F-605UW-1	
SCALE:	1:14	DATE:	12/14/2016
DRAWN BY:	KR	REVISION:	D

AQUA WALKER



WITH ARMREST OPTION



WITHOUT ARMREST OPTION
(STANDARD CONFIGURATION)

ARMREST "CRADLES" ARE REMOVABLE TO CONVERT TO THE STANDARD WALKER CONFIGURATION. THE AQUA WALKER COMES WITH 4" ARMREST CRADLES.



9889 GARRYMORE LANE
MISSOULA, MT 59808
(406) 549-0769
FAX (406) 549-2602

NOTE:
*SPECIFICATIONS ARE SUBJECT TO CHANGE WITHOUT NOTICE

PRODUCT:	F-605UW	
DWG #:	F-605UW-1	
SCALE:	1:10	DATE: 12/14/2016
DRAWN BY:	KR	REVISION: D

AQUA WALKER

SPECIFICATIONS:

OVERALL HEIGHT (MAX): 50-1/4" [1276mm] (MIN): 37-1/4" [946mm]
MAX. WIDTH (CENTER OF PVC PIPES): 22" [558mm]

WEIGHT: 26lbs [12kg]

FEATURES:

4" ARM RESTS, PVC
(4) SWIVEL CASTERS, (2) NON-LOCKING & (2) LOCKING

MATERIALS:

FRAME: PVC, FURNITURE GRADE
CASTERS: STAINLESS STEEL FRAME, 3" SOLID RUBBER WHEELS
(4) LOCK PINS: 18-8 STAINLESS STEEL, 5/16" X 2 1/4" ROUND LOOP



9889 GARRYMORE LANE
MISSOULA, MT 59808
(406) 549-0769
FAX (406) 549-2602

NOTE:
*SPECIFICATIONS ARE SUBJECT TO CHANGE WITHOUT NOTICE

PRODUCT:	F-605UW	
DWG #:	F-605UW-1	
SCALE:	1:1	DATE: 12/14/2016
DRAWN BY:	KR	REVISION: D