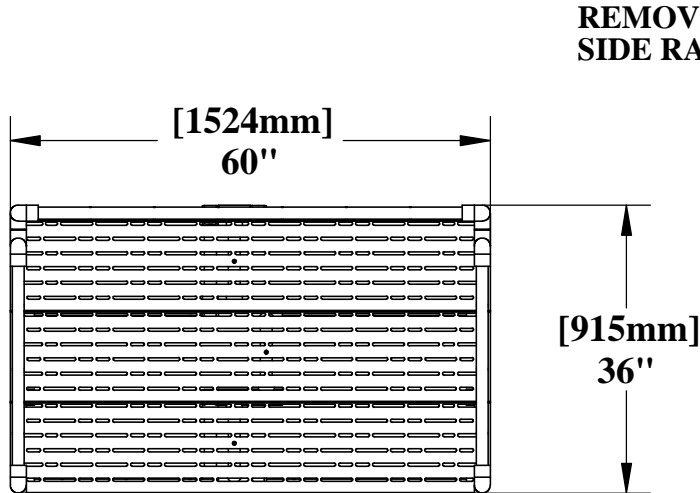
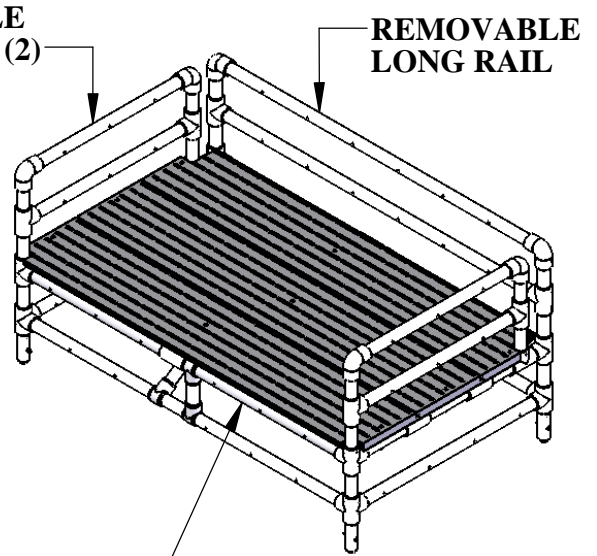


TODDLER TRAINING PLATFORM

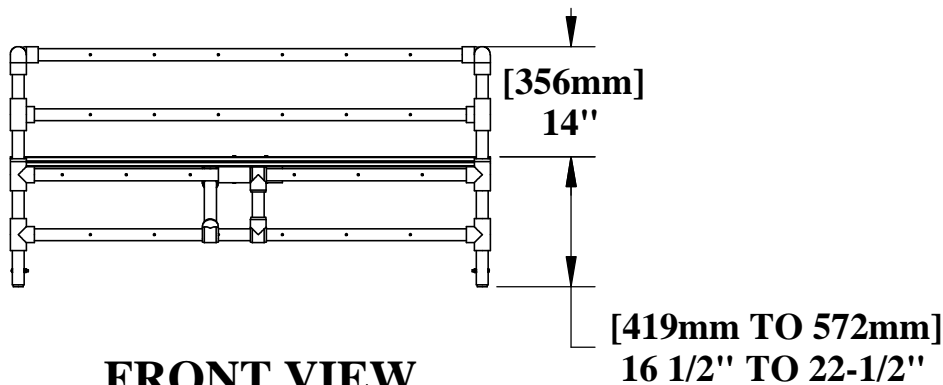


TOP VIEW

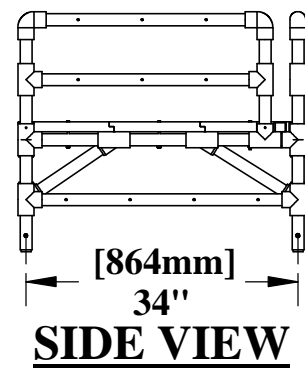


ISO VIEW

POLYPROPYLENE
DECKING (NON-SLIP)



FRONT VIEW



SIDE VIEW

9889 GARRY MORE LANE
MISSOULA, MT 59808
(406) 549-0769
FAX (406) 549-2602



Aqua Creek Products
The Total Solution for Pool and Spa Access

NOTE:
*SPECIFICATIONS ARE SUBJECT TO CHANGE WITHOUT NOTICE
*ALL DIMENSIONS ARE IN INCHES

PRODUCT:	F-250TTP	
DWG #:	F-250TTP-1	
SCALE:	1:24	DATE: 8/21/13
DRAWN BY:	DS	REVISION: C

TODDLER TRAINING PLATFORM

SPECIFICATIONS:

WEIGHT CAPACITY: 300LBS [136 kg]

PLATFORM HEIGHT: ADJUSTABLE 16-1/2" TO 22-1/2" [419mm TO 572mm]

PLATFORM DIMENSIONS: 36" X 60" [915mm X 1524mm]

MATERIALS:

FRAME: FURNITURE GRADE PVC

DECKING: POLYPROPYLENE

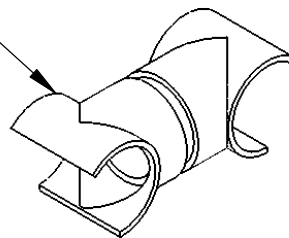
HARDWARE: TYPE 316 & 18-8 STAINLESS STEEL

WEIGHT: 62LBS [28 kg]

SHIPPING DIMENSIONS: 23" X 52" X 68" [584mm X 1321mm X 1727mm]

INCLUDED ACCESSORIES: SLIDING SNAP FITTINGS (2) CONNECTION

**SNAP FITTING
TO CONNECT
PLATFORMS
TOGETHER**



**9889 GARRY MORE LANE
MISSOULA, MT 59808
(406) 549-0769
FAX (406) 549-2602**

NOTE:

*SPECIFICATIONS ARE SUBJECT TO CHANGE WITHOUT NOTICE
*ALL DIMENSIONS ARE IN INCHES


Aqua Creek Products
The Total Solution for Pool and Spa Access

PRODUCT:	F-250TTP	
DWG #:	F-250TTP-2	
SCALE:	1:24	DATE: 8/21/13
DRAWN BY:	DS	REVISION: C