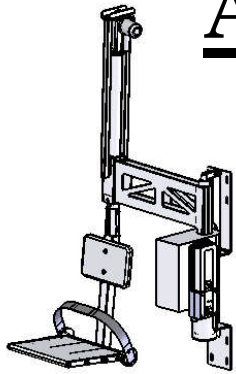
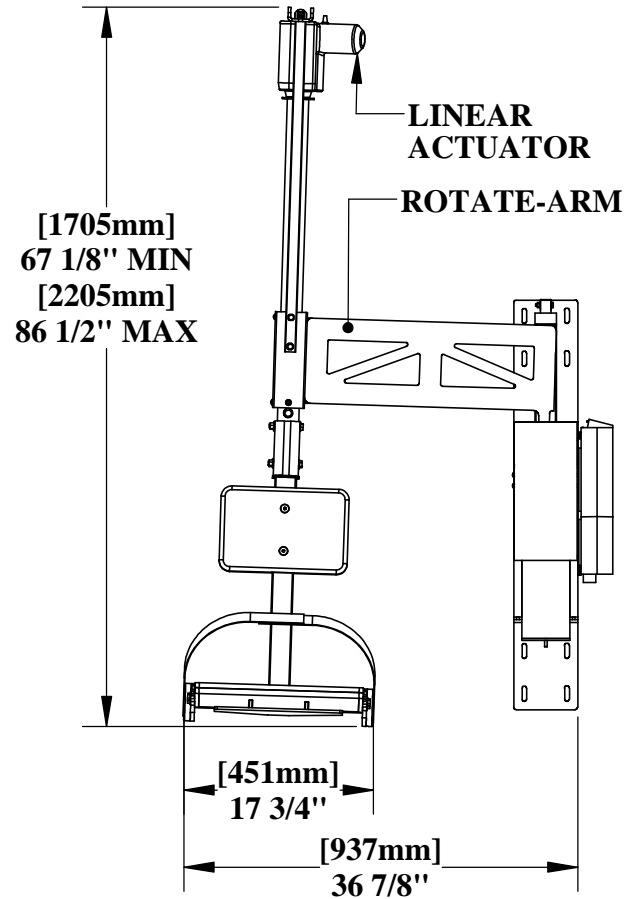
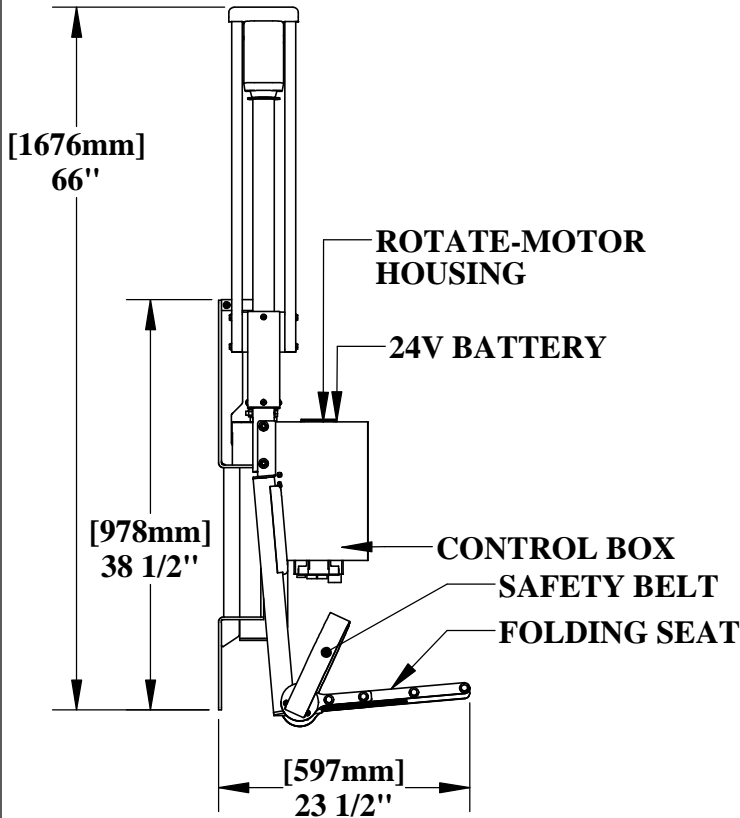
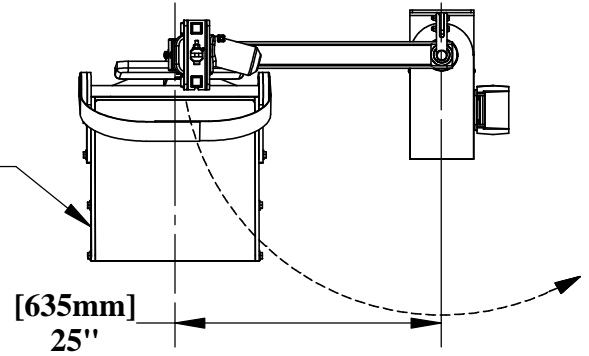


# ABLE BATHTUB LIFT



"Aquatic-Bath-Lift-Elite"

SEAT ROTATES 180°  
AND PIVOTS 360°



## SPECIFICATIONS:

THE AQUA CREEK PRODUCTS ABLE BATHTUB LIFT SHALL BE A 24VDC BATTERY-POWERED LIFT FOR BATHTUBS AND SHALLOW SPAS. THE LIFT SHALL BE CONSTRUCTED FROM TYPE 304 STAINLESS STEEL, WITH A POLYETHYLENE SEAT AND SEAT BACK. IT SHALL HAVE A LIFTING CAPACITY OF 300 LBS [136 kg] AND SHALL BE TOTALLY SELF-OPERABLE. IT SHALL HAVE A 17-3/4" [450mm] WIDE SEAT, WHICH SHALL FOLD UP FOR SPACE SAVINGS. THE SEAT SHALL HAVE POWERED ROTATION AND LIFTING, AND SHALL PIVOT MANUALLY TO ALLOW FOR ALIGNMENT DURING MOVEMENT. IT SHALL HAVE A 19-5/8" [500mm] VERTICAL TRAVEL AND SHALL BE SUITABLE FOR BATHTUBS UP TO 22" HIGH (WITH 8-FOOT CEILING). A LIMITED LIFETIME WARRANTY IS STANDARD.



**Aqua Creek Products**

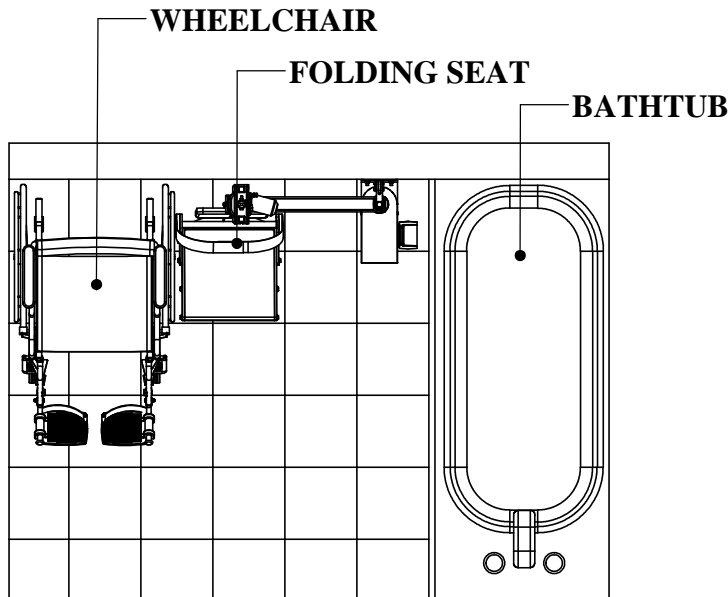
The Total Solution for Pool and Spa Access

9889 GARRYMORE LANE  
MISSOULA, MT 59808  
(406) 549-0769  
FAX (406) 549-2602

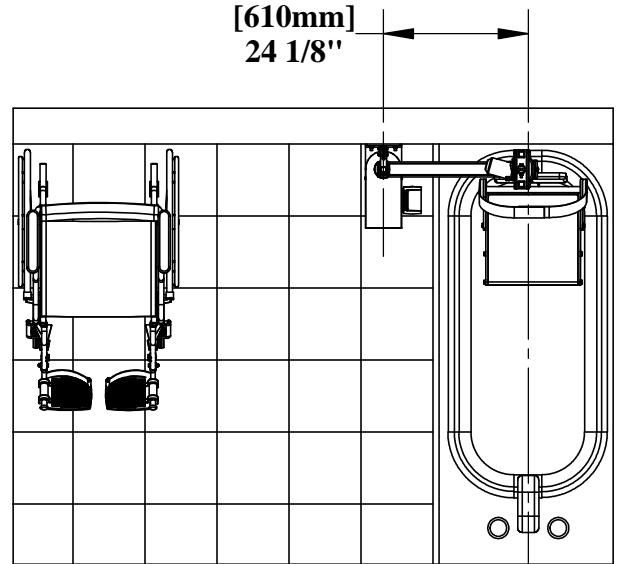
NOTE:  
\*SPECIFICATIONS ARE SUBJECT TO CHANGE WITHOUT NOTICE

PRODUCT:	<b>F-25ABLE</b>	
DWG #:	<b>F-25ABLE-1</b>	
SCALE:	<b>1:18</b>	DATE: <b>6/26/14</b>
DRAWN BY:	<b>KR</b>	REVISION: <b>E</b>

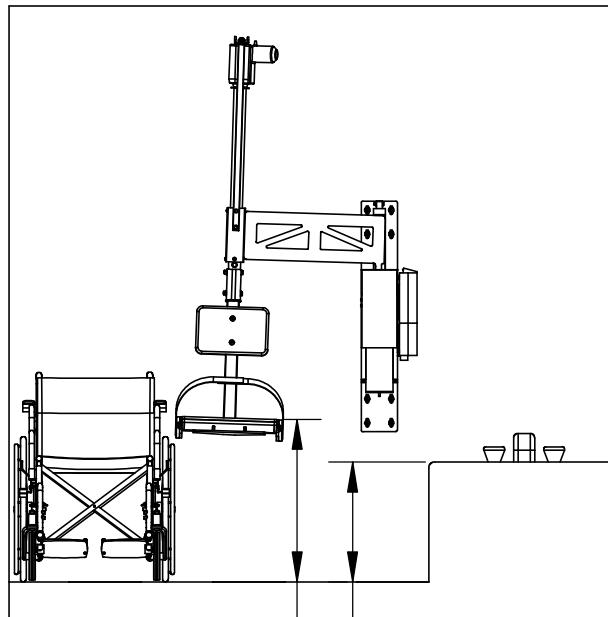
# ABLE BATHTUB LIFT



**LOADING POSITION**  
**(ONE OPTION)**

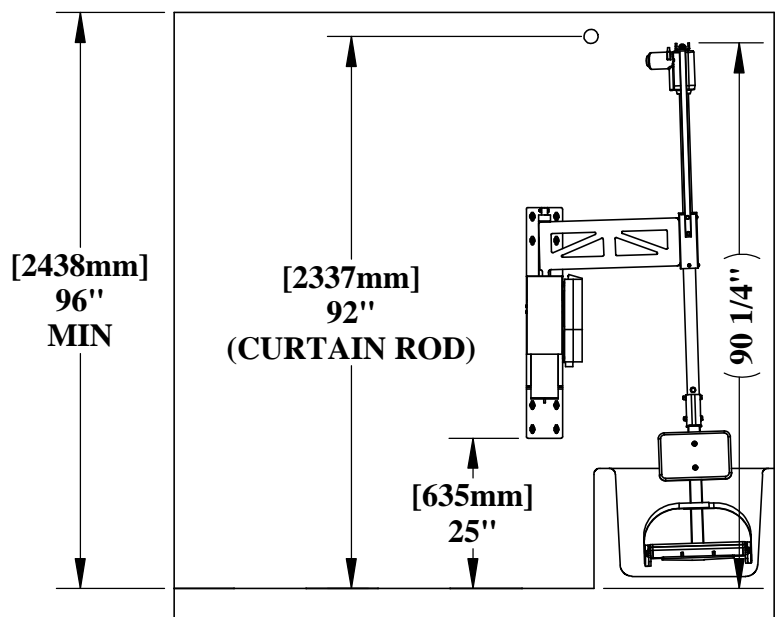


**IN BATHTUB**



SEAT HT.  
(ADJUSTABLE)

MAX TUB HT.  
[560mm]  
22"



**NOTE: IF THE BATHTUB HAS  
A SHOWER-CURTAIN ROD, IT  
WILL NEED TO BE MOVED UP  
TO 92" [2337mm] AS SHOWN.**

PRODUCT:	<b>F-25ABLE</b>	
DWG #:	<b>F-25ABLE-2</b>	
SCALE:	<b>1:32</b>	DATE: <b>6/26/14</b>
DRAWN BY:	<b>KR</b>	REVISION: <b>E</b>