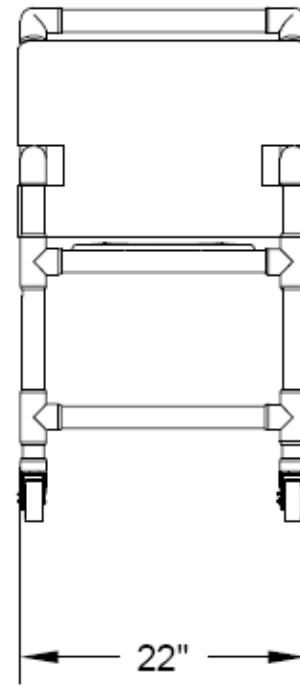
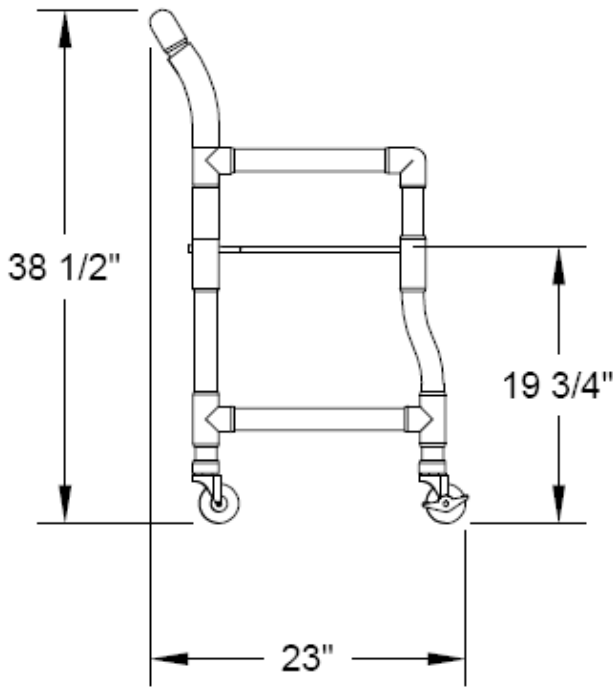
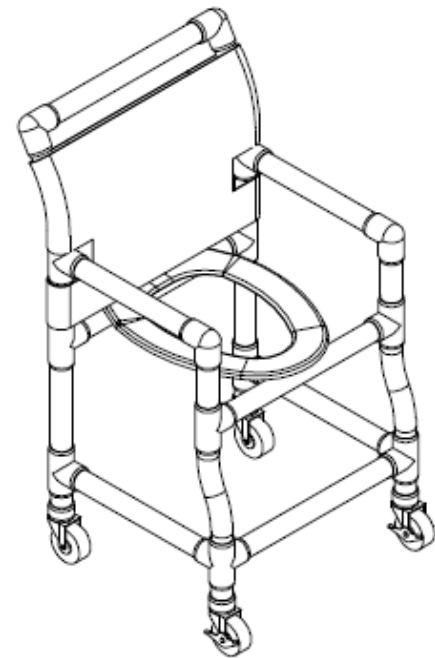


DELUXE SHOWER/COMMmode CHAIR



SPECIFICATIONS

The Deluxe Shower/Commode Chair is constructed of furniture grade schedule 40 PVC. Chair is 38.5" H x 22" W x 23" D. Seat depth is 19.75", with 18" of inside clearance between arms. Seat bottom will clear 17.5". Chair comes standard with 3" by 1.25" extra wide zinc plated casters. Capacity 300 lbs. UPS Shippable. Comes fully assembled except for casters. One Year Limited Warranty.




Aqua Creek Products

The Total Solution for Pool and Spa Access

9889 GARRYMORE LANE
 MISSOULA, MT 59808
 (406) 549-0769
 FAX (406) 549-2602

NOTE:

*SPECIFICATIONS ARE SUBJECT TO CHANGE WITHOUT NOTICE.
 *ALL DIMENSIONS ARE IN INCHES.

PRODUCT:		F-6013DSC	
DWG #:		F-6013DSC	
SCALE:	1:16	DATE:	3/10/05
DRAWN BY:	BLF	REVISION:	-