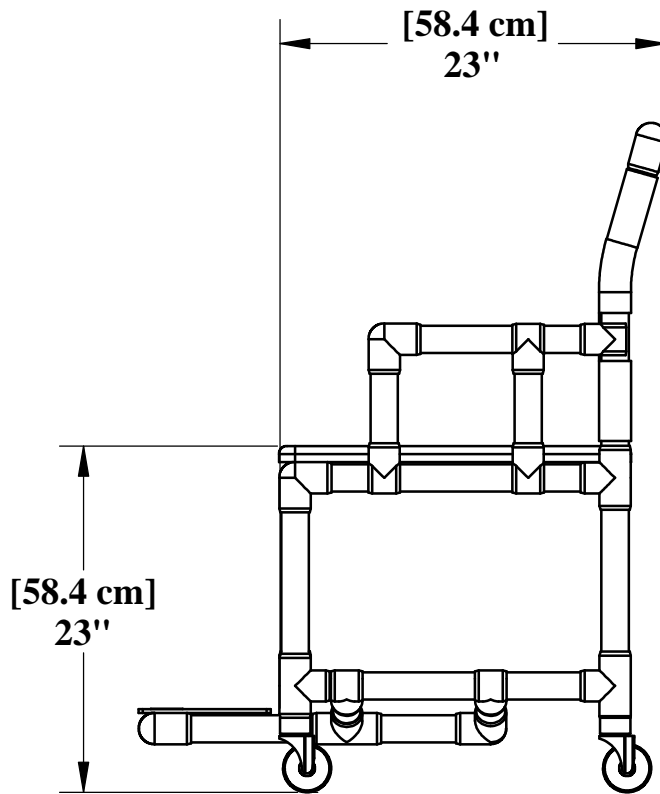
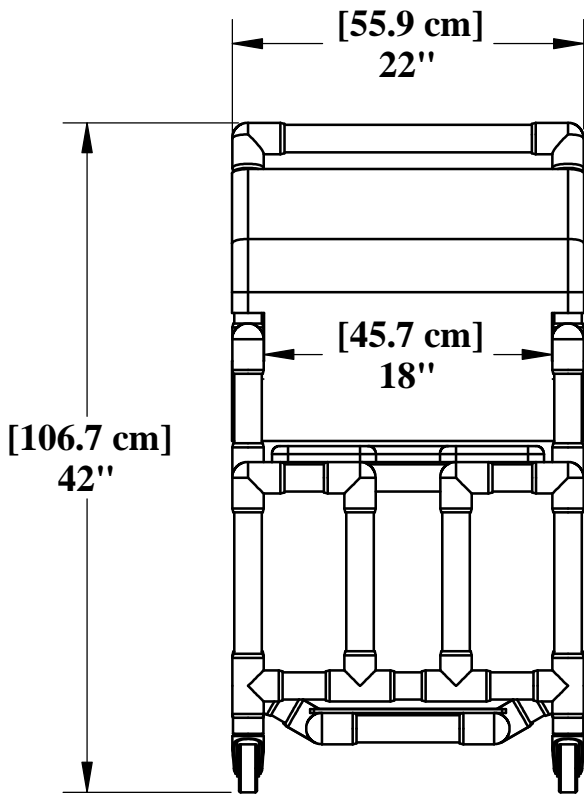


# PVC SHOWER TAXI



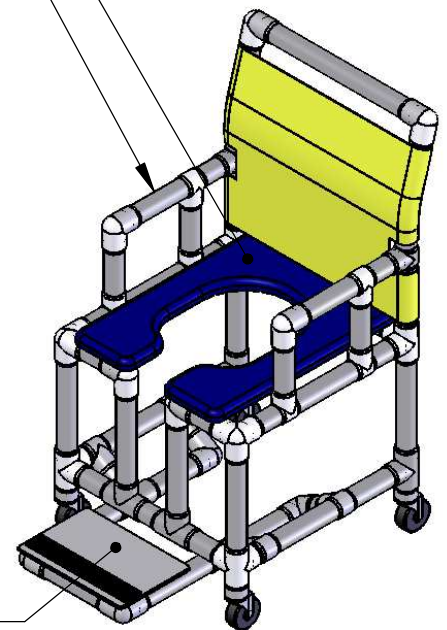
## SPECIFICATIONS:

THE AQUA CREEK PVC SHOWER TAXI SHALL BE DESIGNED TO TRANSPORT PEOPLE IN NEED OF ASSISTANCE IN A SHOWER AND LOCKER-ROOM ENVIRONMENT. IT SHALL HAVE DUAL, DROP ARMRESTS TO ALLOW FOR EASIER LATERAL TRANSFERS, AND A PADDED SEAT WITH OPEN FRONT. IT SHALL HAVE A WEIGHT CAPACITY OF 400 LBS [181 kg]. IT SHALL BE MADE PRIMARILY FROM SOLID PVC. IT SHALL ALSO HAVE A SLIDE-OUT FOOTREST.

OPTIONAL 3" CASTERS AVAILABLE  
(SEAT HEIGHT WILL BE 21")

DROP-DOWN  
ARMRESTS (2)

PADDED SEAT  
OPEN FRONT



SLIDE-OUT  
FOOTREST

9889 GARRY MORE LANE  
MISSOULA, MT 59808  
(406) 549-0769  
FAX (406) 549-2602

NOTE:  
\*SPECIFICATIONS ARE SUBJECT TO CHANGE WITHOUT NOTICE  
\*ALL DIMENSIONS ARE IN INCHES

PRODUCT:	F-6030ST	
DWG #:	F-6030ST-1	
SCALE:	1:12	DATE: 12/17/15
DRAWN BY:	KR	REVISION: C