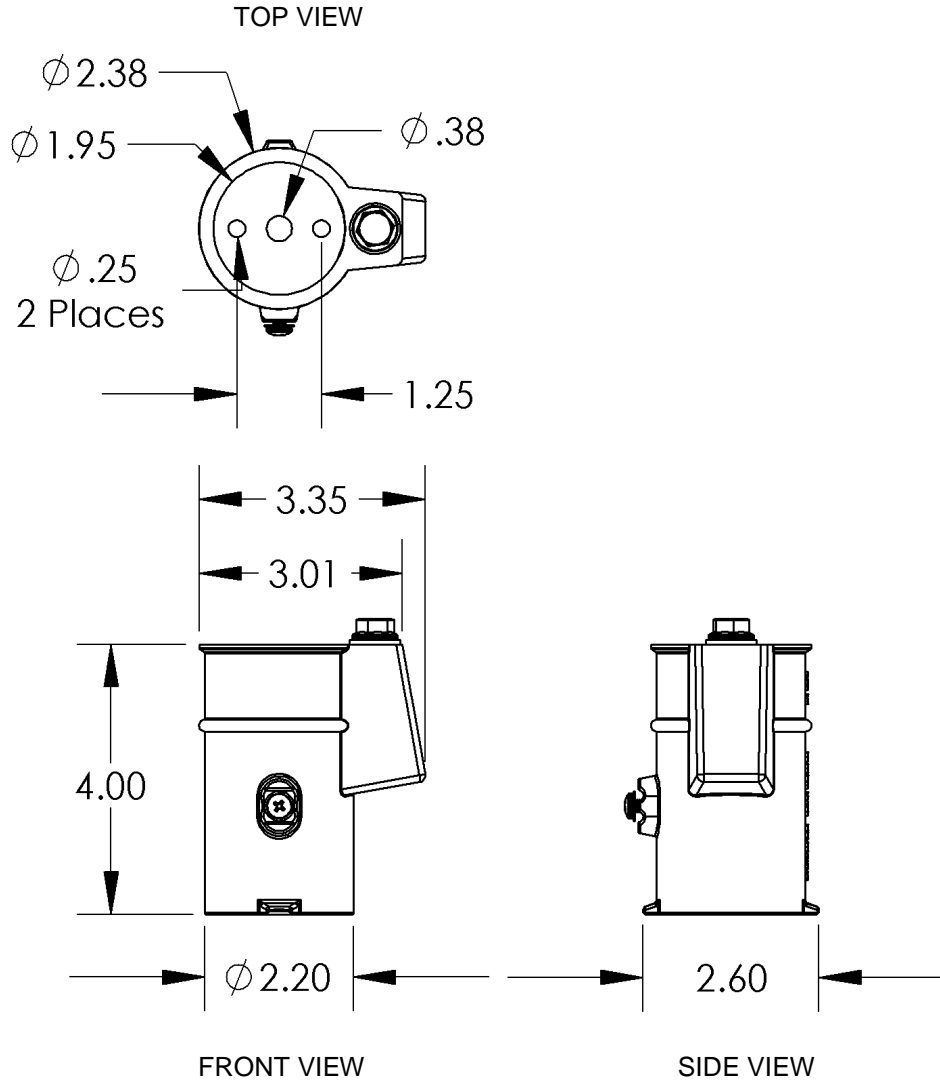


## 1.9" Marine Grade Stainless Steel Anchor Socket



**Specification:** The 1.9" Marine Grade Stainless Steel Anchor Socket assembly includes a 4" (101.6mm) deep cast 316 stainless steel socket and secures fixtures by means of a bronze wedge assembly. The anchor is intended for moderate to heavy-duty commercial use. It is threaded and comes with a #10 UNC brass grounding screw for bonding.

**Shipping Weight:** 2 lbs [0.91kg] (ea)

Specification Number:	<b>SRS-922</b>		
Product Description:	<b>1.9" Marine Grade Stainless Steel Anchor Socket</b>		
S.R. Smith Part Number:	<b>AS-104MG</b>	Scale:	NTS
Revision:	A	Date:	4/22/16
Written By:	M. Kaiel	Date:	4/22/16
Approved By:	B. Svendsen	Date:	4/24/16
Page 1 of 1	Proprietary and confidential: The information contained in this specification is the sole property of S.R. Smith LLC. Any reproduction in part or whole without the written consent of S.R. Smith LLC is prohibited.		

**S.R. Smith, LLC**  
P.O. Box 400, 1017 SW Berg Parkway  
Canby, Oregon 97013  
Tel: (888) 677-7776 (503) 266-2231  
Fax: (503) 266-4334  
[www.srsmith.com](http://www.srsmith.com)