



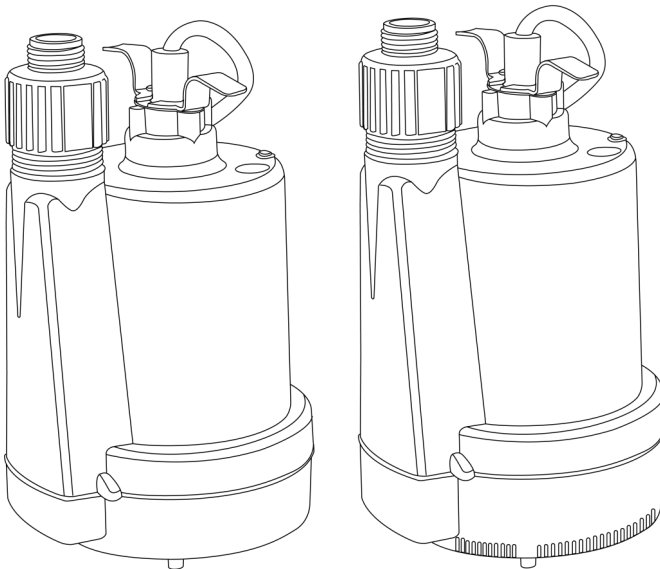
# **INSTALLATION & OPERATION MANUAL**

# **UTILITY PUMP**

**Models:**


**91025, 91026, 91250**

**91255, 91330, 91335**



## Safety Guidelines

Carefully read, understand and follow all safety instructions in this manual.

 This is the safety alert symbol. When you see this symbol, look for one of the following signal words.

**⚠ DANGER** Indicates a hazardous situation which, if not avoided, will result in death or serious injury.

**⚠ CAUTION** Indicates a hazardous situation which, if not avoided, could result in death or serious injury.

**⚠ WARNING** Indicates a hazardous situation which, if not avoided, could result in minor or moderate injury.

## Safety Information

Read these warnings carefully. Know the application and limitations of this pump. Failure to follow these warnings could result in serious bodily injury and/or property damage.

**⚠ DANGER** RISK OF ELECTRICAL SHOCK. Disconnect and lockout power supply before removing old pump or installing or servicing this pump.

**⚠ DANGER** RISK OF ELECTRICAL SHOCK. This pump is supplied with a grounding conductor and grounding type attachment plug. To reduce the risk of electric shock, be certain that it is connected only to a properly grounded, grounding type receptacle. For added safety, it is highly recommended to connect this pump to a GFCI (Ground Fault Circuit Interrupter) outlet.

**⚠ WARNING** The installation of this pump must be in accordance with the National Electric Code (NEC), Uniform Plumbing Code (UPC), International Plumbing Code (IPC) as well as all applicable local codes and ordinances.

**⚠ CAUTION** Do not install this pump in any location classified as hazardous by the National Electrical Code, ANSI/NFPA70.

**⚠ CAUTION** Do not use this pump to pump flammable or explosive fluids such as gasoline, kerosene, etc. Do not use this pump in flammable or explosive environments. Use only with liquids compatible with pump component materials.

**⚠ WARNING** RISK OF ELECTRICAL SHOCK. This pump has not been investigated for use in swimming pool or marine areas.

**⚠ WARNING** RISK OF ELECTRICAL SHOCK. **DO NOT** use the power cord to install or carry the pump. Always use the handle. The cord may pull apart exposing bare wires which could cause a fire or electrical shock. Use the handle supplied with the pump for installing and transporting the pump.

**⚠ WARNING** Do not run pump dry. This pump relies on water for cooling. Running the pump dry can cause the pump to overheat and the possibility of burns to anyone that handles the pump. Running the pump dry will void the warranty.

**⚠ WARNING** Make certain that the electrical outlet is within the reach of the power supply cord. **DO NOT USE AN EXTENSION CORD.** Extension cords that are too long or too light do not deliver sufficient voltage to the pump motor. More importantly, they present a safety hazard if the insulation were to become damaged or the connection end were to fall into the water.

## Safety Information (continued)

**⚠ CAUTION** This pump motor is equipped with an automatic resetting thermal protector and may restart unexpectedly.

**⚠ WARNING** Do not use this pump for potable/drinking water. Use only in applications for which the pump is designed for.

**⚠ WARNING** This pump is not intended to pump water softener discharge (brine) or condensate. Pumping these liquids could cause damage to the pump and will void the warranty.

**⚠ WARNING** According to the state of California (Prop. 65), this product contains chemicals known to the state of California to cause cancer and birth defects or other reproductive harm.

**⚠ WARNING** Keep hands clear of suction & discharge openings. To prevent injury, never insert fingers into pump while it is plugged in.

**⚠ WARNING** Do not handle this pump with wet hands or while standing on wet or damp surfaces or in water.

**⚠ NOTICE** This pump is not designed as a waterfall, pond or fountain pump. Use of this pump for waterfalls, ponds or fountains will void the warranty.

## Description

This non-automatic submersible utility pump is designed to remove water from, flooded basements, window wells and stock tanks, etc. The permanent split capacitor motor is oil filled and hermetically sealed for cooler operation. The pump comes equipped with a 3-prong grounding type power cord.

## Specifications

Model	91025	91026	91250	91255	91330	91335
HP	1/5	1/5	1/4	1/4	1/3	1/3
Volts	120 volt AC	120 volt AC	120 volt AC	120 volt AC	120 volt AC	120 volt AC
Amps	3.6	3.6	3.8	3.8	4.1	4.1
Hz	60 Hz	60 Hz	60 Hz	60 Hz	60 Hz	60 Hz
Phase	1	1	1	1	1	1
Motor Duty	Continuous*	Continuous*	Continuous*	Continuous*	Continuous*	Continuous*
Circuit	15 Amp	15 Amp	15 Amp	15 Amp	15 Amp	15 Amp
Discharge Size	1-1/4" FNPT & 3/4" GHT (with included adapter)					
Max. Solids Handling	1/8" (3 mm) Spherical	1/8" (3 mm) Spherical	1/8" (3 mm) Spherical	1/8" (3 mm) Spherical	1/8" (3 mm) Spherical	1/8" (3 mm) Spherical
Maximum Liquid Temperature	120°F (49°C)	120°F (49°C)	120°F (49°C)	120°F (49°C)	120°F (49°C)	120°F (49°C)
Cord Length	10' (3m)	25' (7,62m)	10' (3m)	25' (7,62m)	10' (3m)	25' (7,62m)
Minimum basin diameter	6" (15 cm)	6" (15 cm)	6" (15 cm)	6" (15 cm)	6" (15 cm)	6" (15 cm)
Pump Construction	Thermoplastic	Thermoplastic	Thermoplastic	Thermoplastic	Thermoplastic	Thermoplastic
Impeller	Thermoplastic	Thermoplastic	Thermoplastic	Thermoplastic	Thermoplastic	Thermoplastic
Motor Shaft	Stainless Steel	Stainless Steel	Stainless Steel	Stainless Steel	Stainless Steel	Stainless Steel
Shaft Seal	Carbon/Ceramic/Stainless Steel					

\*For continuous operation, the water depth must be at least 6"(15cm) to prevent the motor from overheating.

## Installation

1. Install the pump on a hard level surface in the water. If necessary, place bricks or patio blocks under the pump to raise it off the bottom. Do not place the pump directly in mud, sand or silt or on rocky surfaces as these materials can clog or cause damage to the pump.
2. Connect a hose to the pump discharge. Use either the supplied garden hose adapter or other hose fitting (sold separately). Choose the best size hose or pipe for your application. **NOTE:** *To keep friction loss as low as possible, do not use a hose that is smaller than 3/4"*

## Operation

1. Connect the plug into a 120 volt AC grounded outlet. The use of a GFCI is strongly recommended.
2. The pump will start pumping in approximately 1" of water and will drain down to approximately 1/8"-1/4" of the surface.
3. Do not let the pump run dry. The pump depends on water for cooling and lubrication. Operating the pump without water may cause the motor to overheat or cause damage to internal parts. It may also shorten the life of your pump.
4. This pump is equipped with an anti-airlock hole. A stream of water will emit from this hole when the pump is operating. This is a normal feature of this pump. The anti-airlock hole should be cleaned periodically to prevent the pump from becoming air locked.
5. The pump motor is thermally protected. It is not recommended for pumping liquids over 120° F (49° C). The thermal overload protector will automatically shut down the pump in an overheat/overload situation. The pump will reset itself once the pump cools down. This overload is designed as a safety device and it will fail after repeated use. Normal operation is for fluids between 32° F & 120° F (0° C - 49° C).

## Airlock

When a pump airlocks, it runs but does not move any water. An airlock will cause the pump to overheat and fail. This pump has an anti-airlock hole in the bottom of the pump housing. If you suspect an airlock, unplug the pump, clean out the anti-airlock hole with a paper clip or piece of wire, and restart the pump.

## Maintenance

**⚠ DANGER** Risk of electric shock. Always disconnect the power supply before attempting to install, service or perform maintenance on the pump.

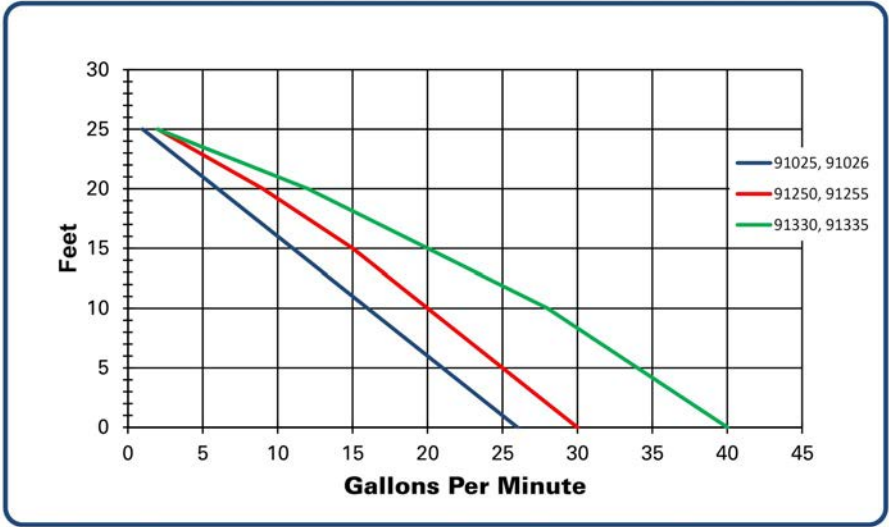
**⚠ WARNING** All repairs must be made by an authorized service center.

**⚠ CAUTION** This submersible pump contains oil which may become pressurized and hot under normal operating conditions - allow the pump to cool for 2-3 hours before servicing.

1. The pump motor is hermetically sealed in the housing and does not require any service. Disassembly of the motor housing or modification of the power cord voids the warranty.
2. Periodically check the removable intake screen for obstructions. Clean if necessary.
3. Inspect the impeller for signs of wear and obstructions.
4. Inspect the power cord for signs of damage or wear. Do not operate the pump if the cord is damaged or worn.

## Performances

Height, pipe diameter restriction and hose length will reduce the pump output performance. It is recommended to use the same size or larger pipe / hose as the pump discharge for optimum performance. The performances listed below were obtained by using 1-1/4" pipe. The use of a garden hose will reduce the output depending on size and length of hose used. To keep friction as low as possible, hose must be 3/4" or larger. Use the shortest length of hose for your application.



Model	Discharge Height	0'	5'	10'	15'	20'	25'
91025, 91026	Gallons Per Minute	26	21	14	10	7	1
91250, 91255	Gallons Per Minute	30	22	20	16	9	2
91330, 91335	Gallons Per Minute	40	34	28	22	12	2

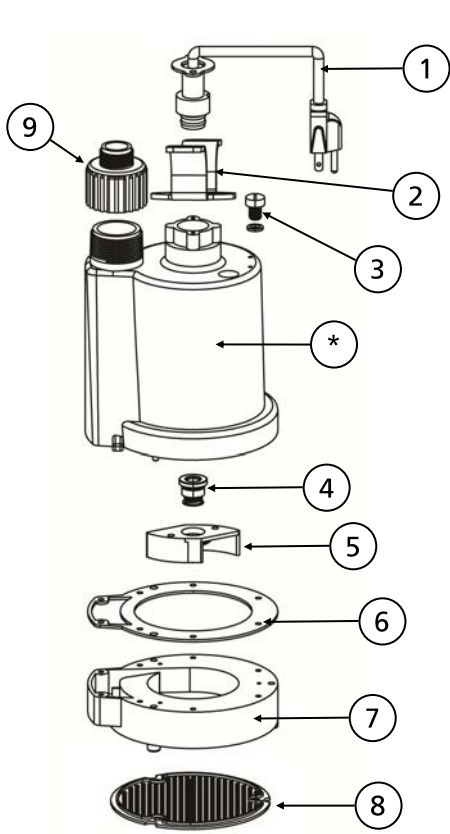
## Troubleshooting



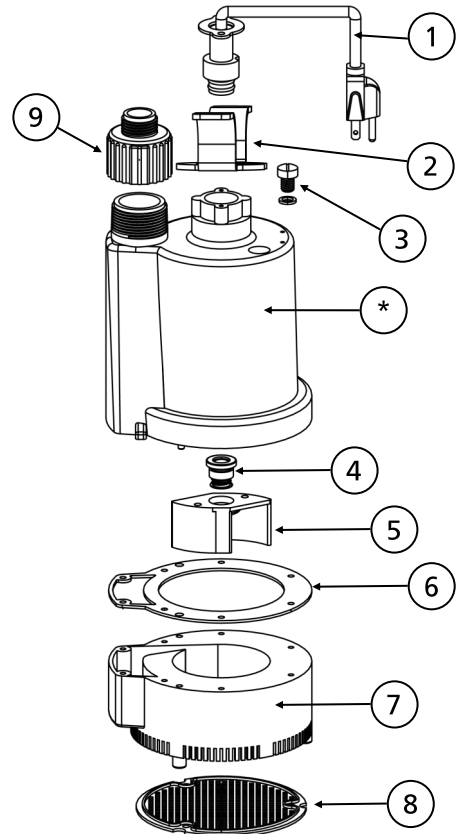
Risk of electric shock. Always disconnect the power supply before attempting to install, service or perform maintenance on the pump.

PROBLEM	POSSIBLE CAUSES	HOW TO CORRECT
If the pump does not start or run	Pump is not plugged in, switch or breaker is off	Plug pump in or turn on switch/breaker
	Check for blown fuses or tripped circuit breakers or tripped GFCI outlets	Replace fuse, reset breaker, reset GFCI outlet
	Motor thermal protector tripped	Allow pump to cool. Pump will automatically reset
If the pump runs but moves little or no water	Clogged intake screen	Clean or replace screen
	Clogged discharge hose/pipe	Remove clog
	Impeller obstructed	Remove obstruction/debris
	Frozen discharge hose/pipe	Allow hose/pipe to thaw
	Pump is air locked	Clean out airlock hole with a paper clip or pipe cleaner
	Low line voltage	Check wire size and increase if necessary
	Worn, damaged or clogged pump parts	Inspect for wear, damage or clog and clean or replace if necessary
Discharge head exceeds pump capacity	If pumping height is over 25', the pump will not move water. See performance chart	

**Replacement Parts**  
91025, 91026, 91250, 91255



**Replacement Parts**  
91330, 91335



Ref#	Description	91025	91026	91250	91255	91330	91335
1	Power Cord	99008	99009	99008	99009	99008	99009
2	Handle	99050	99050	99050	99050	99050	99050
3	Oil Fill Plug w/O-ring	99056	99056	99056	99056	99056	99056
4	Shaft Seal	99057	99057	99057	99057	99057	99057
5	Impeller	99060	99060	99060	99060	99065	99065
6	Gasket	99062	99062	99062	99062	99062	99062
7	Pump Base/Volute	99067	99067	99067	99067	99069	99069
8	Intake Screen	99073	99073	99073	99073	99073	99073
9	Garden Hose Adapter	99006	99006	99006	99006	99006	99006

\*If motor fails, replace entire pump

**For Parts or Assistance, please call 1-800-495-9278**

**LIMITED WARRANTY - UTILITY PUMPS:**

Superior Pump warrants the products specified in this warranty to be free from defects in material or workmanship for one (1) year from date of purchase. During the time period and subject to the terms and conditions, Superior Pump will repair or replace to the original user or consumer any portion of this product which proves to be defective due to materials or workmanship. At all times Superior Pump shall have and possess the sole right and option to determine whether to repair or replace defective equipment, parts, or components. Superior Pump has the option to inspect any product returned under warranty to confirm that the warranty applies before repair or replacement under warranty is approved. This warranty sets forth Superior Pump's sole obligation and purchaser's exclusive remedy for defective product. For warranty consideration, call 1-800-495-9278.

**WARRANTY PERIOD - PRODUCTS:**

If, within the duration of product use by the original user, this product proves to be defective due to materials or workmanship, the product shall be repaired or replaced at Superior Pump's option, subject to the terms and conditions set forth in this warranty statement. Proof of purchase is required for warranty consideration. In the absence of suitable proof of the purchase date, the effective period of this warranty is 12 months from the product's date of manufacture.

**LABOR, ETC. COSTS:**

Superior Pump shall IN NO EVENT be responsible or liable for the cost of field labor or other charges incurred by any customer in removing and/or affixing any product, part, or component thereof.

**PRODUCT IMPROVEMENTS:**

Superior Pump reserves the right to change or improve its products or any portions thereof without being obligated to provide such a change or improvement for units sold and/or shipped prior to such change or improvement.

**GENERAL TERMS AND CONDITIONS:**

This warranty shall not apply to damage due to acts of God, normal wear and tear, normal maintenance services and the parts used in connection with such service, lightning or conditions beyond the control of Superior Pump, nor shall it apply to products which, in the sole judgment of Superior Pump, have been subject to negligence, abuse, accident, misapplication, tampering, alteration; nor due to improper installation, operation, maintenance or storage; nor to excess of recommended maximums as set forth in the instructions. Warranty will be VOID if any of the following conditions are found:

1. Product is used for purposes other than those for which it was designed and manufactured
2. Product not installed in accordance with applicable codes, ordinances, and good trade practices
3. Product connected to voltage other than indicated on nameplate or labels
4. Pump exposed to but not limited to the following: sand, gravel, cement, grease, plaster, mud, tar, oil, gasoline, solvents or other abrasive or corrosive substances
5. Pump has been used for pumping liquids above 120°F
6. Pump allowed to operate dry (liquid supply cut off)

**DISCLAIMER:**

Any oral statements about the product made by the seller, Superior Pump, the representatives, or any other parties do not constitute warranties, shall not be relied upon by the user, and are not part of the contract for sale. Seller's and Superior Pump's only obligation, and buyer's only remedy, shall be the replacement and/or repair by Superior Pump of the product as described above. NEITHER SELLER NOR SUPERIOR PUMP SHALL BE LIABLE FOR ANY INJURY, LOSS OR DAMAGE, DIRECT, INCIDENTAL OR CONSEQUENTIAL (INCLUDING, BUT NOT LIMITED TO, INCIDENTAL OR CONSEQUENTIAL DAMAGES FOR LOST PROFITS, LOST SALES, INJURY TO PERSON OR PROPERTY, OR ANY OTHER INCIDENTAL OR CONSEQUENTIAL LOSS), ARISING OUT OF THE USE OR THE INABILITY TO USE THE PRODUCT, AND THE USER AGREES THAT NO OTHER REMEDY SHALL BE AVAILABLE TO IT. Before using, the user shall determine the suitability of the product for his/her intended use, and user assumes all risk and liability whatsoever in connection therewith.

THE WARRANTY AND REMEDY DESCRIBED IN THIS LIMITED WARRANTY IS AN EXCLUSIVE WARRANTY AND REMEDY AND IS IN LIEU OF ANY OTHER WARRANTY OR REMEDY, EXPRESSED OR IMPLIED, WHICH OTHER WARRANTIES AND REMEDIES ARE HEREBY EXPRESSLY EXCLUDED, INCLUDING BUT NOT LIMITED TO ANY IMPLIED WARRANTY OF MERCHANTABILITY OR FITNESS FOR A PARTICULAR PURPOSE, TO THE EXTENT EITHER APPLIES TO A PRODUCT SHALL BE LIMITED IN DURATION TO THE PERIODS OF THE EXPRESSED WARRANTIES GIVEN ABOVE.

Some states and countries do not allow the exclusion or limitations on how long an implied warranty lasts or the exclusion or limitation of incidental or consequential damages, so the above exclusion or limitations may not apply to you. This warranty gives you specific legal rights, and you may also have other rights which vary from state to state.







# **MANUEL**

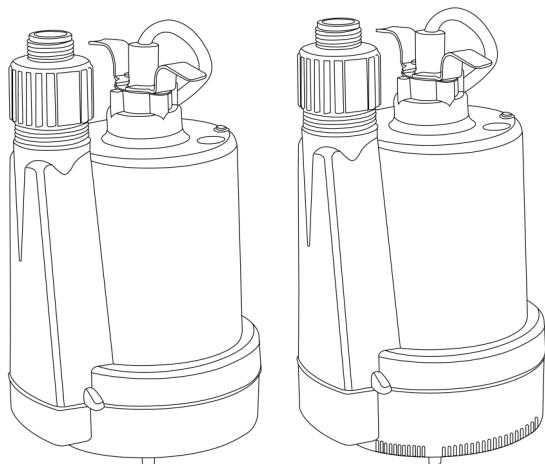
# **D'INSTALLATION**

**INSTRUCTIONS D'INSTALLATION ET  
D'UTILISATION POUR LES POMPES  
SUBMERSIBLES DE TOUTES USAGES**

**Modèles:**


**91025, 91026, 91250**


**91255, 91330, 91335**





## Consignes de Sécurité

Lire attentivement, comprendre et suivre toutes les instructions de sécurité dans ce manuel.

 Ce est le symbole d'alerte de sécurité. Quand vous voyez ce symbole, recherchez l'un des mots de signaux suivants.


 **DANGER** Indique une situation dangereuse qui, si pas évitée, entraînera la mort ou des blessures graves.

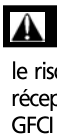
 **AVERTISSEMENT** Indique une situation dangereuse qui, si pas évitée, pourrait entraîner la mort ou des blessures graves.


 **ATTENTION** Indique une situation dangereuse qui, si pas évitée, pourrait entraîner des blessures mineures ou modérées.

## Consignes de Sécurité


Lire attentivement ces avertissements. Connaître l'application et les limites de cette pompe. Le non-respect de ces avertissements peut entraîner des blessures corporelles graves et / ou des dommages matériels.


 **DANGER** RISQUE DE CHOC ÉLECTRIQUE. Débranchez et alimentation de verrouillage avant de retirer vieille pompe ou installer ou de réparer cette pompe.


 **DANGER** RISQUE DE CHOC ÉLECTRIQUE. Cette pompe est fournie avec un conducteur de mise à la terre et une fiche de mise à la terre. Pour réduire le risque de choc électrique, se assurer qu'il est connecté uniquement à une mise à la terre, à la terre réceptacle. Pour plus de sécurité, il est fortement recommandé de brancher cette pompe à une prise GFCI (Ground Fault disjoncteur).


 **ATTENTION** L'installation de cette pompe doit être en conformité avec le Code national de l'électricité (NEC), Uniforme Plumbing Code (UPC), International Plumbing Code (IPC) ainsi que tous les codes et règlements locaux applicables.


 **ATTENTION** Ne pas installer cette pompe dans un endroit classé comme dangereux par le National Electrical Code, ANSI / NFPA70.

 **AVERTISSEMENT** Ne pas utiliser cette pompe pour pomper des liquides inflammables ou explosifs tels que l'essence, le kérosène, etc. Ne pas utiliser cette pompe dans des environnements inflammables ou explosifs. Utilisez uniquement avec des liquides compatibles avec les matériaux des composants de la pompe.

 **ATTENTION** RISQUE DE CHOC ÉLECTRIQUE. Cette pompe n'a pas été étudiée pour une utilisation dans la piscine ou dans les zones marines.

 **ATTENTION** RISQUE DE CHOC ÉLECTRIQUE. NE PAS utiliser le cordon d'alimentation à installer ou effectuer la pompe. Toujours utiliser la poignée. Le cordon peut séparer exposer fils nus qui pourrait provoquer un incendie ou un choc électrique. Utilisez la poignée fournie avec la pompe pour l'installation et le transport de la pompe.

 **AVERTISSEMENT** Ne pas faire fonctionner la pompe à sec. Cette pompe se appuie sur l'eau pour le refroidissement. Faire fonctionner la pompe à sec la pompe peut provoquer une surchauffe et le risque de brûlures à toute personne qui se occupe de la pompe. Faire fonctionner la pompe à sec annulera la garantie.

 **ATTENTION** Assurez-vous que la prise électrique est à la portée du cordon d'alimentation. NE PAS UTILISER UNE RALLONGE. Les rallonges qui sont trop longs ou trop claire ne délivrer une tension suffisante pour le moteur de la pompe. Plus important encore, ils présentent un risque pour la sécurité si l'isolation devait être endommagés et la fin de connexion venait à tomber dans l'eau.

## Consignes de sécurité (suite)

### **AVERTISSEMENT**

Ce moteur de la pompe est équipé d'un protecteur thermique et réarmement automatique peut redémarrer de façon inattendue.

### **ATTENTION**

Ne pas utiliser cette pompe pour de l'eau potable. Utiliser seulement dans des applications pour lesquelles la pompe est conçu pour.

### **ATTENTION**

Cette pompe ne est pas destinée à pomper décharge de l'adoucisseur d'eau (eau glycolée) ou de condensat. Pompage ces liquides pourrait causer des dommages à la pompe et annulera la garantie.

### **ATTENTION**

Selon l'état de Californie (Prop. 65), ce produit contient des produits chimiques reconnus par l'État de Californie pour provoquer des cancers et des malformations congénitales ou d'autres problèmes de reproduction.

### **ATTENTION**

Gardez les mains éloignées du aspiration et de refoulement ouvertures. Pour éviter les blessures, ne jamais introduire les doigts dans la pompe pendant qu'il est branché.

### **ATTENTION**

Ne pas manipuler la pompe avec les mains mouillées ou en se tenant debout sur des surfaces mouillées ou humides ou dans l'eau.

### **AVIS**

Cette pompe ne est pas conçue comme une chute d'eau, un étang ou pompe de la fontaine. Utilisez de cette pompe pour cascades, des étangs ou des fontaines annulera la garantie.

## Description

Cette pompe non automatique submersible utilitaire est conçu pour éliminer l'eau, sous-sols inondés, des puits de fenêtre et les réservoirs de stockage, etc. Le moteur à condensateur auxiliaire permanent est rempli d'huile et hermétiquement scellé pour une opération plus fraîche. La pompe est équipée d'un trois broches mise à la terre cordon d'alimentation.

## Caractéristiques

Model	91025	91026	91250	91255	91330	91335
HP	1/5	1/5	1/4	1/4	1/3	1/3
Volts	120 volt AC	120 volt AC	120 volt AC	120 volt AC	120 volt AC	120 volt AC
Amps	3.6	3.6	3.8	3.8	4.1	4.1
Hz	60 Hz	60 Hz	60 Hz	60 Hz	60 Hz	60 Hz
Phase	1	1	1	1	1	1
Moteur Duty	Continu*	Continu*	Continu*	Continu*	Continu*	Continu*
Exigence du Circuit	15 Amp minimum	15 Amp minimum	15 Amp minimum	15 Amp minimum	15 Amp minimum	15 Amp minimum
Décharge Taille	1-1/4" FNPT & 3/4" GHT (avec adaptateur inclus)					
Solides Maximales	1/8" (3 mm)	1/8" (3 mm)	1/8" (3 mm)	1/8" (3 mm)	1/8" (3 mm)	1/8" (3 mm)
Liquid Température Maximale	120°F (49°C)	120°F (49°C)	120°F (49°C)	120°F (49°C)	120°F (49°C)	120°F (49°C)
Longueur du Cordon	10' (3m)	25' (7,62m)	10' (3m)	25' (7,62m)	10' (3m)	25' (7,62m)
Diamètre du Bassin Minimum	6" (15 cm)	6" (15 cm)	6" (15 cm)	6" (15 cm)	6" (15 cm)	6" (15 cm)
Pompe Construction	Thermoplastique	Thermoplastique	Thermoplastique	Thermoplastique	Thermoplastique	Thermoplastique
Turbine	Thermoplastique	Thermoplastique	Thermoplastique	Thermoplastique	Thermoplastique	Thermoplastique
Arbre du Moteur	Acier Inoxydable	Acier Inoxydable	Acier Inoxydable	Acier Inoxydable	Acier Inoxydable	Acier Inoxydable
Seal Arbre	Carbone/Céramique/Acier Inoxydable					

\*Pour un fonctionnement continu, la profondeur de l'eau doit être d'au moins 6"(15cm) pour éviter la surchauffe du moteur.

## Installation

1. Installer la pompe sur une surface plane et dure dans l'eau. Si nécessaire, placer des briques ou des blocs de patio sous la pompe pour le porter sur le fond. Ne pas placer la pompe directement dans la boue, le sable ou la vase ou sur des surfaces rocheuses que ces matériaux peuvent obstruer ou endommager la pompe.
2. Connectez un tuyau à la sortie de la pompe. Utilisez soit l'adaptateur de tuyau de jardin fourni ou autre raccord de tuyau (vendu séparément). Choisissez le meilleur tuyau de la taille ou du tuyau pour votre application. REMARQUE: Pour maintenir les pertes par frottement aussi faible que possible, ne pas utiliser un tuyau plus petit que 3/4"


## Opération


1. Brancher la fiche dans une prise secteur de 120 volts à la terre. L'utilisation d'un disjoncteur différentiel est fortement recommandé.
2. La pompe commencer à pomper environ 1" de l'eau et se écoulera jusqu'à environ 1/8" - 1/4" de la surface.
3. Ne laissez pas la pompe à sec. La pompe dépend de l'eau pour le refroidissement et la lubrification.
4. Faire fonctionner la pompe sans eau peut causer une surchauffe du moteur ou causer des dommages aux parties internes. Il peut aussi raccourcir la durée de vie de votre pompe.
5. Cette pompe est munie d'un trou anti-sas. Un jet d'eau émet de ce trou lorsque la pompe est en marche. Ce est une caractéristique normale de cette pompe. Le trou anti-sas doit être nettoyé périodiquement pour empêcher la pompe de l'air devenant verrouillé.
6. Le moteur de la pompe est protégé thermiquement. Il ne est pas recommandé pour le pompage de liquides de plus de 120°F (49°C). La protection thermique se éteint automatiquement la pompe en cas de surchauffe / surcharge. La pompe se éteindre une fois la pompe refroidisse. Cette surcharge est conçu comme un dispositif de sécurité et elle échoue après une utilisation répétée. Le fonctionnement normal est de fluides entre 32°F & 20°F (0°C - 49°C).


## Bouchon d'air

Lorsqu'une pompe sas, il fonctionne mais ne bouge pas d'eau. Un sas entraînera la pompe à surchauffer et d'échouer. Cette pompe a un trou anti-sas dans le fond du corps de pompe. Si vous suspectez un sas, débranchez la pompe, nettoyer le trou anti-sas avec un trombone ou un morceau de fil de fer, et de redémarrer la pompe.

## Entretien

 **DANGER** Risque de choc électrique. Toujours couper l'alimentation électrique avant d'installer, un service ou effectuer la maintenance sur la pompe.

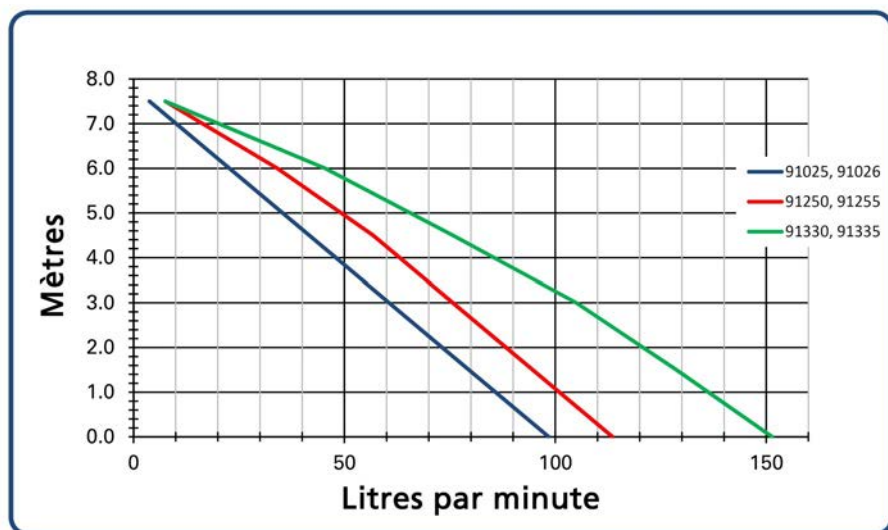
 **AVERTISSEMENT** Toutes les réparations doivent être effectuées par un centre de service autorisé.

 **ATTENTION** Cette pompe submersible contient de l'huile qui peut devenir chaud sous pression et des conditions de fonctionnement normales - permettre à la pompe refroidir pendant 2-3 heures avant l'entretien.

1. Le moteur de la pompe est scellé hermétiquement dans le boîtier et ne nécessite pas de service. Démontage du carter du moteur ou la modification du cordon d'alimentation annule la garantie.
2. Vérifiez régulièrement l'écran d'admission amovible pour obstruction. Nettoyer si nécessaire.
3. Inspectez la roue des signes d'usure et les obstructions.
4. Inspectez le cordon d'alimentation pour des signes de détérioration ou d'usure. Ne pas faire fonctionner la pompe si le cordon est endommagé ou usé.

## Rendement

Hauteur, restriction de diamètre du tuyau et la longueur du tuyau réduiront la performance de sortie de la pompe. Il est recommandé d'utiliser la même taille ou plus grand tube / tuyau de refoulement de la pompe pour une performance optimale. Les performances énumérées ci-dessous ont été obtenus en utilisant 1-1/4" pipe. L'utilisation d'un tuyau d'arrosage permettra de réduire la sortie selon la taille et la longueur du tuyau utilisé. Pour garder le frottement aussi faible que possible, le tuyau doit être 3/4" ou plus. Utilisez la plus courte longueur de tuyau pour votre application.



Modèle	Décharge Hauteur	0'	5'	10'	15'	20'	25'
91025, 91026	Litres par minute	98	79	61	42	23	4
91250, 91255	Litres par minute	114	95	76	57	34	8
91330, 91335	Litres par minute	151	129	106	83	45	8

## Dépannage

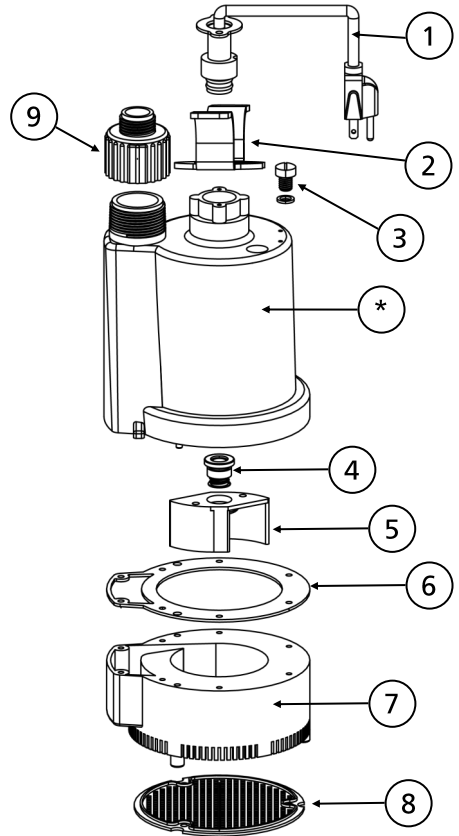
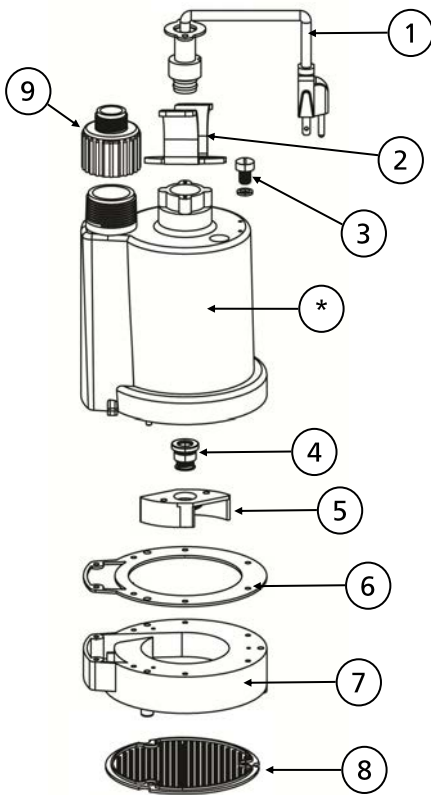
### **⚠ DANGER**

Risque de choc électrique. Toujours couper l'alimentation électrique avant d'installer, un service ou effectuer la maintenance sur la pompe.

PROBLÈMES	CAUSES POSSIBLE	COMMENT CORRIGER
Si la pompe ne commence pas ou ne fonctionne pas	La pompe n'est pas branchée, l'interrupteur ou disjoncteur est déclenché	Branchez la pompe ou enclenchez l'interrupteur / disjoncteur.
	Vérifiez pour une fusible écartée ou le déclenchement du disjoncteur avec détecteur de fuites à la terre (DDFT)	Remplacez la fusible, réinitialiser le disjoncteur avec détecteur de fuites à la terre (DDFT)
	Le protecteur thermique du moteur déclenché	Permettez à la pompe de se refroidir. La pompe se réinitialisera.
Si la pompe fonctionne mais le débit est insuffisant ou inexistant	Le grillage de l'entrée est obstrué	Nettoyez ou remplacez le grillage
	Tuyau de revoi est obstrué	Enlevez l'obstruction.
	Tuyau de renvoi est congelé	Laissez le tuyau se dégeler
	Une poche d'air s'est formée dans la pompe	Nettoyez le trou pour éviter les poches d'air avec une trompette ou un cure-pipe.
	Basse tension dans la ligne	Vérifiez le calibre du fil électrique et augmentez, si nécessaire.
	Les pièces dans la pompe sont trop usées, endommagées ou obstruées.	Inspectez pour l'usure, les dommages ou l'obstruction. Nettoyez ou remplacez, si nécessaire.
	La hauteur totale demandée excède la capacité de la pompe	En pompant à une hauteur de plus de 25 pieds, la pompe ne déplacera pas d'eau. Voir le tableau des performances

**Pièces de Rechange**  
91025, 91026, 91250, 91255

**Pièces de Rechange**  
91330, 91335



Ref#	Description	91025	91026	91250	91255	91330	91335
1	Cordon d'alimentation	99008	99009	99008	99009	99008	99009
2	Poignée	99050	99050	99050	99050	99050	99050
3	Bouchon de remplissage et joint d'étanchiété	99056	99056	99056	99056	99056	99056
4	Joint de l'arbre	99057	99057	99057	99057	99057	99057
5	Roue de turbine	99060	99060	99060	99060	99065	99065
6	Joint d'étanchiété	99062	99062	99062	99062	99062	99062
7	Base de la pompe / volute	99067	99067	99067	99067	99069	99069
8	Grillage de l'entrée	99073	99073	99073	99073	99073	99073
9	Adaptateur de tuyau d'arrosage	99006	99006	99006	99006	99006	99006

\*Si le moteur tombe en panne, remplacer toute la pompe

**Pour les pièces ou l'assistance, se il vous plaît appelez  
1-800-495-9278**

## **GARANTIE LIMITÉE - POMPES UTILITAIRES:**

Superior Pump les produits spécifiés dans cette garantie sont exempts de défauts de matériaux ou de fabrication pour un (1) an à compter de la date d'achat. Au cours de la période et sous réserve des termes et conditions, Superior Pump réparera ou remplacera à l'utilisateur ou le consommateur initial toute partie de ce produit qui se avère défectueux en raison de matériaux ou de fabrication. A tout moment Superior Pump doit avoir et posséder le droit exclusif et l'option pour déterminer se il faut réparer ou remplacer les équipements défectueux, pièces ou des composants. Superior Pump a la possibilité d'inspecter tout produit retourné sous garantie pour confirmer que la garantie se applique avant toute réparation ou remplacement sous garantie est approuvé. Cette garantie définit la seule obligation de Superior Pump et le recours exclusif de l'acheteur pour un produit défectueux. Par la garantie, appelez 1-800-495-9278.

## **PÉRIODE DE GARANTIE - PRODUITS:**

Si, pendant la durée d'utilisation du produit par l'utilisateur d'origine, ce produit se avère défectueux en raison de matériaux ou de fabrication, le produit doit être réparé ou remplacé, au choix de la Superior Pump, sous réserve des termes et conditions énoncés dans cette déclaration de garantie. Une preuve d'achat est nécessaire pour la garantie. En l'absence de preuve adéquate de la date d'achat, la période de validité de cette garantie est de 12 mois à compter de la date de fabrication du produit.

## **TRAVAIL, ETC. COÛTS:**

Superior Pump doit en aucun cas être tenu responsable pour le coût du travail sur le terrain ou d'autres frais encourus par un client pour enlever et / ou l'apposition d'un produit, pièce ou composant de celui-ci.

## **AMÉLIORATIONS DU PRODUIT:**

Superior Pump se réserve le droit de modifier ou d'améliorer ses produits ou toute partie de celle-ci sans être obligé de fournir une telle modification ou amélioration aux unités vendues et / ou expédiés avant ce changement ou d'amélioration.

## **TERMES ET CONDITIONS GÉNÉRALES:**

Cette garantie ne se applique pas aux dommages causés par les actes de Dieu, l'usure normale, les services d'entretien normal et les pièces utilisées dans le cadre de ce service, la foudre ou des conditions hors du contrôle de la Superior Pump, ne se appliquera pas aux produits qui, dans le seul jugement de la Superior Pump, ont fait l'objet de négligence, d'abus, d'un accident, une mauvaise utilisation, altération, une modification; ni en raison de mauvaise installation, l'exploitation, l'entretien ou le stockage; ni à l'excès des maximums recommandés comme indiqué dans les instructions. La garantie sera annulée si l'une des conditions suivantes se trouvent:

1. Le produit est utilisé à des fins autres que celles pour lesquelles il a été conçu et fabriqué
2. Produit pas installé conformément aux codes applicables, les ordonnances et les bonnes pratiques commerciales
3. Branchement à une tension autre que celle indiquée sur la plaque signalétique ou des étiquettes
4. Pompe exposé à, mais ne se limite pas à ce qui suit: sable, gravier, ciment, graisse, plâtre, boue, goudron, de l'huile, de l'essence, des solvants ou d'autres substances abrasives ou corrosives
5. Pompe a été utilisée pour le pompage de liquides au-dessus de 120°F (49°C)
6. La pompe a fonctionné à sec (alimentation en liquide coupée)

## **DISCLAIMER:**

Les déclarations orales sur la pompe faite par le vendeur, Superior Pump, les représentants, ou d'autres parties ne constituent pas des garanties, ne doit pas être invoquée par l'utilisateur, et ne font pas partie du contrat de vente. , Sont du vendeur et la seule obligation de Superior Pump, et le seul recours de l'acheteur le remplacement et / ou réparation par Superior Pump du produit comme décrit ci-dessus. NI LE VENDEUR NI LA SUPERIOR PUMP NE SERONT TENUS RESPONSABLES DE TOUTE BLESSURE, PERTE OU DOMMAGES DIRECTS, ACCESSOIRES OU INDIRECTS (Y COMPRIS, MAIS SANS S'Y LIMITER, LES DOMMAGES INDIRECTS OU ACCESSOIRES POUR PERTES DE BÉNÉFICES, PERTE DE VENTES, DOMMAGE À LA PERSONNE OU AUX BIENS, OU TOUTE AUTRE ACCESSOIRES OU PERTE), RÉSULTANT DE L'UTILISATION OU L'INCAPACITE D'UTILISER LE PRODUIT, ET L'UTILISATEUR ACCEPTE QUE AUCUN AUTRE RECOURS NE EST DISPONIBLE IT. Avant toute utilisation, l'utilisateur doit déterminer la pertinence du produit pour son / sa usage prévu, il assume aussi tout risque et toute responsabilité à cet égard.

LA GARANTIE ET LES RECOURS décrites dans cette garantie limitée est UNE GARANTIE EXCLUSIVE ET RECOURS EN LIEU ET PLACE DE TOUTE AUTRE GARANTIE OU RECOURS, EXPLICITE OU IMPLICITE, DONT LES AUTRES GARANTIES ET RECOURS SONT expressément exclue, Y COMPRIS MAIS SANS S'Y LIMITER, TOUTE GARANTIE IMPLICITE DE QUALITÉ MARCHANDE OU D'ADAPTATION À UN USAGE PARTICULIER, DANS LA MESURE SOIT applique à un produit SERA LIMITÉE À UNE DURÉE DE LES PÉRIODES DE GARANTIE EXPLICITE CI-DESSUS.

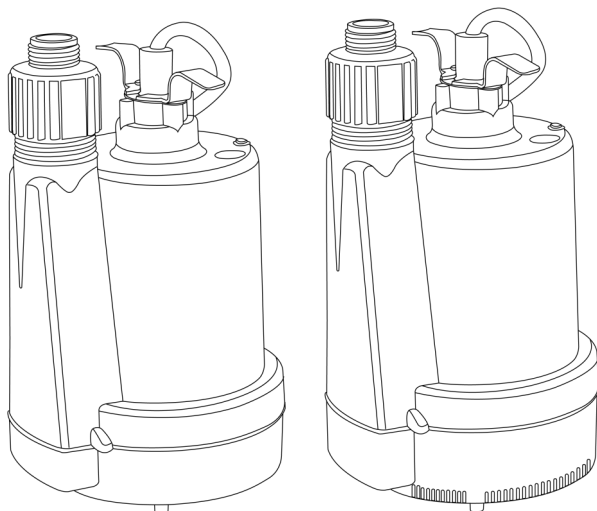
Certains états et pays ne autorisent pas l'exclusion ou la limitation de la durée d'une garantie implicite ou l'exclusion ou la limitation des dommages directs ou indirects, l'exclusion ci-dessus ou limitations peuvent ne pas se appliquer à vous. Cette garantie vous donne des droits spécifiques, et vous pouvez également avoir d'autres droits qui varient d'un état à l'autre.









**MANUAL DE USUARIO**  
**INSTALACIÓN Y OPERACIÓN**  
**INSTRUCCIONES PARA:**  
**BOMBA DE UTILIDAD SUMERGIBLE**  
**Modelos:**  
**91025, 91026, 91250**  
**91255, 91330, 91335**





## Directrices de seguridad

Lea atentamente, comprenda y siga todas las instrucciones de seguridad de este manual.

 Este es el símbolo de alerta de seguridad. Cuando vea este símbolo, busque alguna de las siguientes palabras de advertencia.

 **PELIGRO** Indica una situación peligrosa que, si no se evita, provocará la muerte o lesiones graves.


 **PRECAUCIÓN** Indica una situación peligrosa que, de no evitarse, podría causar la muerte o lesiones graves.


 **ADVERTENCIA** Indica una situación peligrosa que, de no evitarse, podría provocar lesiones leves o moderadas.

## Información de seguridad


Lea atentamente estas advertencias. Conozca la aplicación y las limitaciones de esta bomba. El incumplimiento de estas advertencias podría causar lesiones corporales graves y / o daños materiales.

 **PELIGRO** RIESGO DE DESCARGA ELÉCTRICA. Desconecte y fuente de alimentación de bloqueo antes de retirar la bomba de edad o de instalar o dar servicio a esta bomba.


 **PELIGRO** RIESGO DE DESCARGA ELÉCTRICA. Esta bomba se suministra con un conductor a tierra y un enchufe con toma de tierra. Para reducir el riesgo de choque eléctrico, asegúrese de que está conectado únicamente a una tierra adecuada, receptáculo tipo conexión a tierra. Para mayor seguridad, se recomienda conectar la bomba a un tomacorriente GFCI (interruptores de fallo).


 **ADVERTENCIA** La instalación de esta bomba debe estar de acuerdo con el Código Eléctrico Nacional (NEC), Código Uniforme de Plomería (UPC), Código de Plomería Internacional (IPC), así como todos los códigos y ordenanzas locales aplicables.


 **PRECAUCIÓN** No instale esta bomba en ningún lugar clasificado como peligroso por el Código Eléctrico Nacional, ANSI / NFPA70.

 **PRECAUCIÓN** No utilice esta bomba para bombear líquidos inflamables o explosivos, tales como gasolina, queroseno, etc. No utilice esta bomba en ambientes inflamables o explosivos. Use sólo con líquidos compatibles con los materiales de los componentes de la bomba.

 **ADVERTENCIA** RIESGO DE DESCARGA ELÉCTRICA. Esta bomba no ha sido investigado para su uso en la piscina o áreas marinas.

 **ADVERTENCIA** RIESGO DE DESCARGA ELÉCTRICA. NO use el cable de alimentación al instalar o llevar la bomba. Utilice siempre el mango. El cordón se puede dividir la exposición de cables pelados que podrían provocar un incendio o una descarga eléctrica. Utilice el asa suministrada con la bomba para la instalación y el transporte de la bomba.

 **ADVERTENCIA** No haga funcionar la bomba en seco. Esta bomba depende del agua para la refrigeración. Ejecución de la bomba en seco puede hacer que la bomba se recaliente y la posibilidad de quemaduras a cualquier persona que se encarga de la bomba. Ejecución de la bomba en seco, se anulará la garantía.

 **ADVERTENCIA** Asegúrese de que la toma de corriente está dentro del alcance del cable de alimentación. NO UTILICE UN CABLE DE EXTENSIÓN. Los cables de extensión que son demasiado largos o demasiado clara no ofrecer suficiente voltaje para el motor de la bomba. Más importante aún, presentan un riesgo de seguridad si el aislamiento que esté estropeado o el extremo de conexión fuera a caer en el agua.

## Información de seguridad (continuación)

**⚠ PRECAUCIÓN** Este motor de la bomba está equipado con un protector térmico de reposición automática y puede reiniciar inesperadamente.

**⚠ ADVERTENCIA** No utilice esta bomba para potable / agua potable. Use solamente en aplicaciones para las que la bomba está diseñado.

**⚠ ADVERTENCIA** Esta bomba no está destinada a bombear de descarga ablandador de agua (salmuera) o condensado. Bombeo de estos líquidos podría causar daños en la bomba y anulará la garantía.

**⚠ ADVERTENCIA** De acuerdo con el estado de California (Prop. 65), este producto contiene sustancias químicas que el estado de California como causante de cáncer, defectos de nacimiento y otros daños reproductivos.

**⚠ ADVERTENCIA** Mantenga las manos alejadas de las aberturas de aspiración y de descarga. Para evitar lesiones, nunca introduzca los dedos en la bomba mientras está enchufado.

**⚠ ADVERTENCIA** No manipule la bomba con las manos mojadas o parado sobre superficies mojadas o húmedas o en agua.

**⚠ AVISO** Esta bomba no está diseñado como una cascada, estanque o bomba de la fuente. Utilice de esta bomba de cascadas, estanques o fuentes, se anulará la garantía.

## Descripción

Esta bomba sumergible utilidad no automático está diseñado para eliminar el agua de los sótanos inundados, huecos de las ventanas y los tanques de almacenamiento, etc. El motor de condensador dividido permanente está lleno de aceite y sellado herméticamente para una operación más fresca. La bomba viene equipada con un cable de alimentación con toma de tierra de 3 patas.

## Especificaciones

Modelo	91025	91026	91250	91255	91330	91335
CP	1/5	1/5	1/4	1/4	1/3	1/3
Voltios	120 V	120 V	120 V	120 V	120 V	120 V
Amperios	3.6	3.6	3.8	3.8	4.1	4.1
Hz	60 Hz	60 Hz	60 Hz	60 Hz	60 Hz	60 Hz
Fase	1	1	1	1	1	1
Un servicio de motor	Continuo*	Continuo*	Continuo	Continuo*	Continuo*	Continuo*
Requisitos del Circuito	15 Amperios	15 Amperios	15 Amperios	15 Amperios	15 Amperios	15 Amperios
Desague	1-1/4" FNPT & 3/4" GHT (con adaptador incluido)					
Máximo Manejo de Sólidos	1/8" (3 mm)	1/8" (3 mm)	1/8" (3 mm)	1/8" (3 mm)	1/8" (3 mm)	1/8" (3 mm)
Máx. Temperatura del Líquido	120°F (49°C)	120°F (49°C)	120°F (49°C)	120°F (49°C)	120°F (49°C)	120°F (49°C)
Longitud del Cable	10' (3m)	25' (7,62m)	10' (3m)	25' (7,62m)	10' (3m)	25' (7,62m)
Diámetro Mínimo Cuenca	6" (15 cm)	6" (15 cm)	6" (15 cm)	6" (15 cm)	6" (15 cm)	6" (15 cm)
Construcción de la bomba	Termoplástico	Termoplástico	Termoplástico	Termoplástico	Termoplástico	Termoplástico
Impulsor	Termoplástico	Termoplástico	Termoplástico	Termoplástico	Termoplástico	Termoplástico
Del Eje del Motor	Acero Inoxidable	Acero Inoxidable	Acero Inoxidable	Acero Inoxidable	Acero Inoxidable	Acero Inoxidable
Sello del Eje	Carbono/Cerámico/Acero Inoxidable					

\*Para una operación continua, la profundidad del agua debe ser de al menos 6" (15 cm) para evitar el sobrecalentamiento del motor.

## Instalación

1. Instale la bomba sobre una superficie dura en el agua. Si es necesario, colocar ladrillos o bloques de patio bajo la bomba para levantarlo del fondo. No coloque la bomba directamente en el barro, arena o limo o en superficies rocosas ya que estos materiales pueden obstruir o causar daños a la bomba.
2. Conecte una manguera a la descarga de la bomba. Utilice el adaptador suministrado manguera de jardín u otro accesorio de la manguera (se vende por separado). Elija la mejor manguera de tamaño o tubería para su aplicación. NOTA: Para mantener la pérdida de fricción lo más bajo posible, no utilice una manguera que es menor que 3/4"


## Operación


1. Conecte el enchufe en una toma de corriente de 120 voltios de CA con conexión a tierra. Se recomienda encarecidamente el uso de un GFCI.
2. La bomba comenzará a bombear en aproximadamente 1" de agua y drenará hasta aproximadamente 1/8" -1/4" de la superficie.
3. No deje que la bomba funcione en seco. La bomba depende del agua para refrigeración y lubricación. Operar la bomba sin agua puede provocar que el motor se sobrecaliente o causar daño a las partes internas. También puede reducir la vida útil de su bomba.
4. Esta bomba está equipada con un agujero anti-esclusa. Un chorro de agua se emite desde este agujero cuando la bomba está en funcionamiento. Esta es una característica normal de esta bomba. El agujero anti-esclusa de aire debe limpiarse periódicamente para evitar que la bomba se convierta en el aire encerrado.
5. El motor de la bomba está protegido térmicamente. No se recomienda para bombear líquidos a más de 120°F (49°C). El protector de sobrecarga térmica se apagará automáticamente la bomba en una situación de sobrecalentamiento / sobrecarga. La bomba se restablecerá una vez que la bomba se enfríe. Esta sobrecarga está diseñado como un dispositivo de seguridad y se producirá un error después de un uso repetido. El funcionamiento normal es para líquidos entre 32°F y 120°F (0°C - 49°C).


## Bolsas de Aire "Airlock"

Cuando un esclusas de aire de la bomba, que se ejecuta, pero no se mueve nada de agua. Una bolsa de aire hará que la bomba se recaliente y falle. Esta bomba tiene un orificio anti-esclusa de aire en la parte inferior de la carcasa de la bomba. Si sospecha que hubo una bolsa de aire, desenchufe la bomba, limpie el orificio anti-esclusa de aire con un clip de papel o un trozo de alambre y vuelva a activarla.

## Mantenimiento

 **PELIGRO** Riesgo de descarga eléctrica. Desconecte siempre la fuente de alimentación antes de intentar instalar, servicio o realizar el mantenimiento de la bomba.

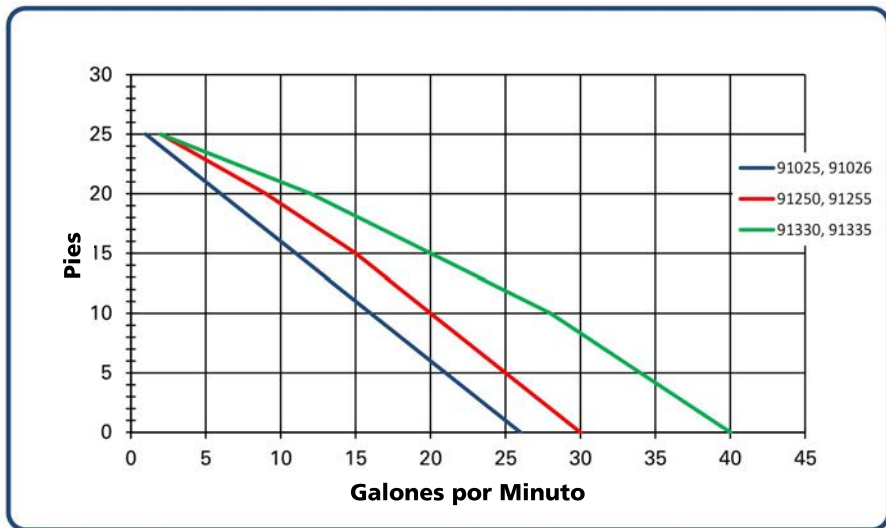
 **ADVERTENCIA** Todas las reparaciones deben ser realizadas por un centro de servicio autorizado.

 **PRECAUCIÓN** Esta bomba sumergible contiene aceite que puede llegar a ser presurizado y calentado en condiciones normales de funcionamiento - permitir que la bomba se enfríe durante 2-3 horas antes de dar servicio.

1. El motor de la bomba está sellada herméticamente en la carcasa y no requiere ningún servicio. Desmontaje de la caja del motor o modificación del cable de alimentación anula la garantía.
2. Revise periódicamente la rejilla de entrada desmontable para obstrucciones. Limpie si es necesario.
3. Inspeccione el impulsor en busca de signos de desgaste y obstrucciones.
4. Inspeccione el cable de alimentación para detectar signos de daño o desgaste. No haga funcionar la bomba si el cable está dañado o desgastado.

## Rendimiento

Altura, restricción diámetro de la tubería y la longitud de la manguera reducirán el rendimiento de salida de la bomba. Se recomienda utilizar el mismo tamaño o tubo más grande / manguera como la descarga de la bomba para un rendimiento óptimo. Las actuaciones se enumeran a continuación se obtuvieron mediante el uso de 1-1 / 4 "tubo. El uso de una manguera de jardín reducirá la salida dependiendo del tamaño y la longitud de la manguera utilizada. Para mantener la fricción lo más bajo posible, la manguera debe ser 3/4 "o mayor. Utilice la menor longitud de manguera posible para su aplicación.



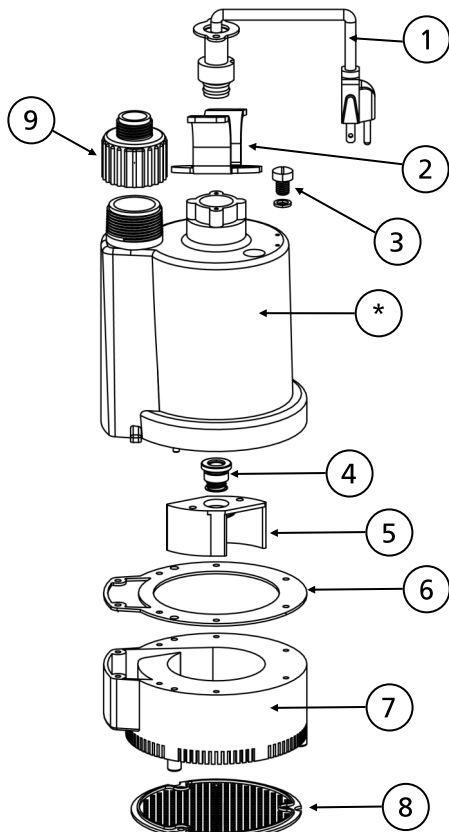
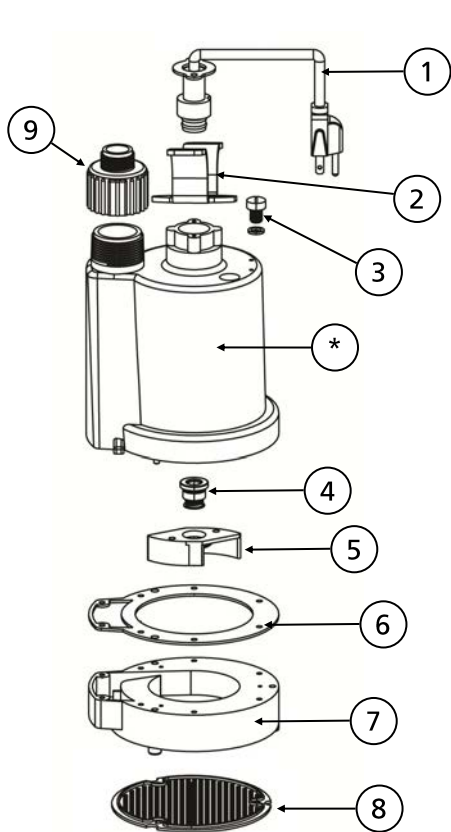
Modelo	Descarga Altura	0'	5'	10'	15'	20'	25'
91025, 91026	Galones por Minuto	26	21	14	10	7	1
91250, 91255	Galones por Minuto	30	22	20	16	9	2
91330, 91335	Galones por Minuto	40	34	28	22	12	2

## Solución de Problemas

PROBLEMA	CAUSAS POSIBLES	COMO CORREGIR
Si la bomba no prende o trabaja	La bomba no está conectada o no está prendida la llave de encendido	Conectar la bomba o encender la llave de encendido o el
	Checar por fusibles fundidos o fallas de circuitos o conexiones GFCI	Reemplazar fusibles, reiniciar la conexión GFCI
	Protector del motor termal se sobrecalienta y se apaga	Dejar que la bomba se enfríe. La bomba reiniciará.
La bomba trabaja pero mueve poca o nada de agua	Coladera tapada	Limpiar o reemplazar la coladera
	Tubo o manguera tapada	Destapar la manguera o el tubo
	Tubo o manguera congelada	Dejar que se descongele
	La bomba tiene burbujas de aire	Limpiar el agujero del aire con un limpiador de tuberías o un sujetapapeles
	Baja línea de voltaje	Checar el votaje de cable y aumentar si es necesario
	Partes de la bomba están dañadas, tapadas o gastadas	Checar por partes gastadas, tapadas o dañadas y limpiar o reemplazar si sea necesario
	La descarga excede de la capacidad de la bomba	Si la altura es más de 25 pies, la bomba no sacará el agua. Ver la tabla de rendimiento.

**Piezas de Repuesto**  
91025, 91026, 91250, 91255

**Piezas de Repuesto**  
91330, 91335



Ref #	Descripción	91025	91026	91250	91255	91330	91335
1	Cable Eléctrica	99008	99009	99008	99009	99008	99009
2	Manija	99050	99050	99050	99050	99050	99050
3	Tapón de llenado de aceite con junta tórica	99056	99056	99056	99056	99056	99056
4	Junta de eje	99057	99057	99057	99057	99057	99057
5	Impulsor	99060	99060	99060	99060	99065	99065
6	Junta	99062	99062	99062	99062	99062	99062
7	Base de bomba/voluta	99067	99067	99067	99067	99069	99069
8	Rejilla de Admisión	99073	99073	99073	99073	99073	99073
9	Adaptador de manguera	99006	99006	99006	99006	99006	99006

\*If motor fails, replace entire pump

**Para refacciones o asistencia, llame al 1-800-495-9278**

## **GARANTÍA LIMITADA - BOMBAS DE UTILIDAD:**

Superior Pump garantiza que los productos especificados en esta garantía está libre de defectos en materiales o mano de obra por un (1) año a partir de la fecha de compra. Durante el período de tiempo y con sujeción a los términos y condiciones, Superior Pump reparará o reemplazará al usuario o consumidor cualquier porción de este producto que demuestra ser defectuoso debido a materiales o mano de obra. En todo momento Superior Pump tendrá y poseerá el único derecho y opción de determinar si repara o sustituir los equipos defectuosos, las piezas o componentes. Superior Pump tiene la opción de inspeccionar cualquier producto devuelto bajo la garantía para confirmar que la garantía se aplica antes de que se apruebe la reparación o el reemplazo bajo garantía. Esta garantía establece la obligación única vuelta Superior Pump y el único recurso del comprador para el producto defectuoso. Para la consideración de garantía, llame al 1-800-495-9278.

## **PERÍODO DE GARANTÍA - PRODUCTOS:**

Si, dentro de la duración de uso del producto por parte del usuario original, este producto resulta ser defectuoso debido a materiales o mano de obra, el producto será reparado o reemplazado, a opción Superior Pump, sujeto a los términos y condiciones establecidos en esta declaración de garantía. Se requiere comprobante de compra para la garantía. A falta de la prueba adecuada de la fecha de compra, el período de vigencia de esta garantía es de 12 meses desde la fecha de fabricación del producto.

## **TRABAJO, ETC. COSTOS:**

Superior Pump será en ningún caso, será responsable por el costo del trabajo de campo u otros cargos en que incurra cualquier cliente al retirar y / o instalar algún producto, pieza o componente del mismo.

## **MEJoras DEL PRODUCTO:**

Superior Pump se reserva el derecho de cambiar o mejorar sus productos, o cualquier parte del mismo sin estar obligada a proveer tal cambio o mejora en las unidades vendidas y / o despachadas antes de dicha modificación o mejora.

## **TÉRMINOS Y CONDICIONES GENERALES:**

Esta garantía no se aplicará a los daños debidos a causas de fuerza mayor, el desgaste normal, servicios de mantenimiento normal y a las piezas utilizadas en relación con dicho servicio, rayos o condiciones fuera del control del Superior Pump, ni se aplicará a los productos que, en el juicio de Superior Pump, han sido objeto de negligencia, abuso, accidente, mal uso, alteración, modificación; ni debido a instalación, operación, mantenimiento o almacenamiento; o si se sobrepasan los valores máximos recomendados como se indica en las instrucciones. La garantía será nula si se encuentran cualesquiera de las siguientes condiciones:

1. El producto se utiliza para fines distintos de aquellos para los que fue diseñado y fabricado
2. El producto no instalado de acuerdo con los códigos, ordenanzas y buenas prácticas comerciales
3. El producto conectado a un voltaje distinto al indicado en la placa de identificación o etiquetas
4. Bomba expuesta a, pero no limitado a lo siguiente: arena, grava, cemento, grasa, yeso, barro, alquitrán, aceite, gasolina, disolventes u otras sustancias abrasivas o corrosivas
5. Bomba ha sido utilizada para bombear líquidos por encima de 120°F (49°C)
6. Permitió que la bomba opere en seco (suministro de líquido cortada)

## **EXENCIÓN DE RESPONSABILIDAD:**

Cualquier declaración oral acerca del producto hecha por el vendedor, Superior Pump, los representantes o cualquier otra parte no constituyen garantías, no podrán ser invocadas por el usuario, y no forman parte del contrato para la venta. La única obligación del Superior Pump único remedio del comprador y del vendedor, y, será la reposición y / o reparación por Superior Pump del producto como se describió anteriormente. NI EL VENDEDOR NI SUPERIOR PUMP SERÁN RESPONSABLES DE CUALQUIER DAÑO, PÉRDIDA O DAÑO DIRECTO, INCIDENTAL O CONSECUENTE (INCLUYENDO, PERO NO LIMITADO A, DAÑOS DIRECTOS O INDIRECTOS QUE LA PÉRDIDA DE BENEFICIOS, VENTAS PERDIDAS, DAÑOS A PERSONAS O PROPIEDADES O CUALQUIER OTRA ACCIDENTAL O pérdida consecuente), DERIVADOS DEL USO O LA IMPOSIBILIDAD DE USO DEL PRODUCTO, Y EL USUARIO ACUERDA QUE NO EXISTE OTRO REMEDIO DISPONIBLE PARA EL. Antes de usar, el usuario deberá determinar la idoneidad del producto para su / su uso previsto, y el usuario asume todos los riesgos y responsabilidades en relación con la misma.

**LA GARANTÍA Y RECURSO DESCRITOS EN ESTA GARANTÍA LIMITADA REPRESENTAN UNA GARANTÍA Y RECURSO EXCLUSIVOS Y EN LUGAR DE CUALQUIER OTRA GARANTÍA O REMEDIO, EXPRESA O IMPLÍCITA, QUE OTRAS GARANTÍAS Y RECURSOS SON EXPRESAMENTE EXCLUIDAS, incluyendo pero no limitado a ninguna garantía implícita de comerciabilidad o IDONEIDAD PARA UN PROPÓSITO PARTICULAR, EN LA MEDIDA EN QUE CORRESPONDA A UN PRODUCTO ESTARÁ LIMITADA EN DURACION A LOS PERIODOS DE GARANTÍAS EXPRESAS MENCIONADOS ANTERIORMENTE.**

Algunos estados y países no permiten la exclusión o las limitaciones sobre la duración de una garantía implícita o la exclusión o limitación de daños incidentales o consecuentes, por lo que la anterior exclusión o limitación podría no aplicarse a usted. Esta garantía le otorga derechos legales específicos, y usted también puede tener otros derechos que varían de estado a estado.

