

Features and Benefits

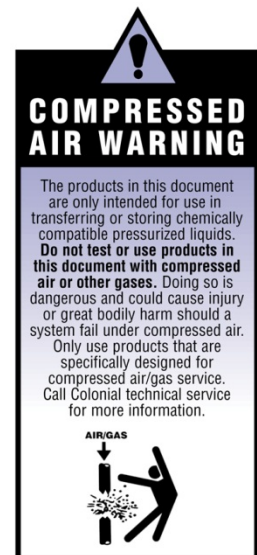
- Thermoplastic design eliminates process and atmospheric corrosion.
- Pressure rated up to 150 psi, non-shock water at 73° F
- 100% Leak Tested
- Both White and Gray have Sch 80 wall thickness.
- Socket dimensions meet ASTM standard PVC: D-2467
- FIPT x FIPT version: Threads meet ASTM standard D-2464, ANSI B1.20.1
- PVC Material meets ASTM D-1784
- Bi-directional: can be installed in either direction.
- Replacement handle kits available.
- NSF – 61 Approved for Potable Water Service. Product also Certified to NSF/ANSI 61, Annex G and is in compliance with California's Health & Safety Code Section 116875 (commonly known as AB1953) and Vermont Act 193.



MIP Compact Valves answer the need for an economically priced compact quarter turn ball valve for use in irrigation, water treatment, pool/spa, and commercial plumbing applications. Available in 1/2 - 4" sizes



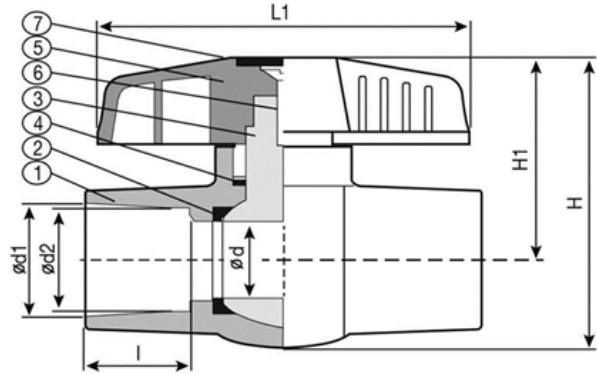
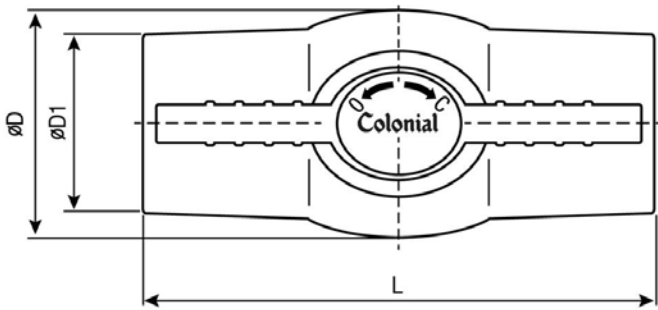
COMMERCIAL SCH 80 MIP (MOLDED IN PLACE) COMPACT VALVE



Revised 7/15/15 Dim drawing corrected for Ød1

CUSTOMER SERVICE: 6400 Corporate Ave., Portage, MI 49002
Toll-free (800)374 0234, Phone (269)323 2495, Fax (269) 323 0630 www.colonialengineering.com

Size	White Socket	White Threaded	Gray Socket	Gray Threaded
1/2	V07491N	V07591N	V07691N	V07791N
3/4	V08491N	V08591N	V08691N	V08791N
1	V10491N	V10591N	V10691N	V10791N
1-1/4	V14491N	V14591N	V14691N	V14791N
1-1/2	V17491N	V17591N	V17691N	V17791N
2	V20491N	V20591N	V20691N	V20791N
2-1/2	V27491N	V27591N		
3	V30491N	V30591N		
4	V40491N	V40591N		



	1/2"	3/4"	1"	1-1/4"	1-1/2"	2"	2-1/2"	3"	4"
d1	0.848	1.058	1.325	1.670	1.912	2.387	2.889	3.516	4.518
d2	0.836	1.046	1.310	1.655	1.894	2.369	2.868	3.492	4.491
l	0.875	1.000	1.125	1.250	1.375	1.500	1.750	1.875	2.250
D	1.496	1.929	2.244	2.480	2.953	3.622	4.331	5.236	6.693
D1	1.181	1.496	1.772	2.126	2.441	3.031	3.622	4.173	5.315
d	0.551	0.787	0.984	1.181	1.417	1.831	2.362	3.031	3.976
L	3.268	3.740	4.173	4.488	5.118	5.787	8.031	9.016	11.81
L1	2.756	3.465	3.937	3.937	4.291	5.276	7.008	8.819	10.87
H	2.441	3.071	3.661	3.858	4.528	5.315	6.299	7.480	9.173
H1	1.693	2.126	2.559	2.638	3.071	3.504	4.134	4.882	5.827

No.	Part	Material	Qty
1	Body	PVC	1
2	Seat	EPDM	2
3	Ball	PVC	1
4	O-ring	EPDM	1
5	Handle	ABS	1
6	Bolt	Zinc Plated Steel	1
7	Cap	ABS	1

Pressure rated at 150 psi non-shock water at 73°F. If operating temperature will exceed 73°, then reduce the pressure according to the chart below. NR = not-recommended.

Temp (F°)	73	80	90	100	110	120	130	140	150
De-rate by	1.00	0.88	0.75	0.62	0.50	0.40	0.30	0.22	NR

Handle replacement kits (includes handle, cap, set-screw)

For Valve Size	Part No
1/2	V07491K
3/4	V08491K
1	V10491K
1-1/4	V14491K
1-1/2	V17491K
2	V20491K
2-1/2	V27491K
3	V30491K
4	V40491K



Available through

LASCO
Fittings, Inc.