

## STAIR RAILS – 3 BEND:

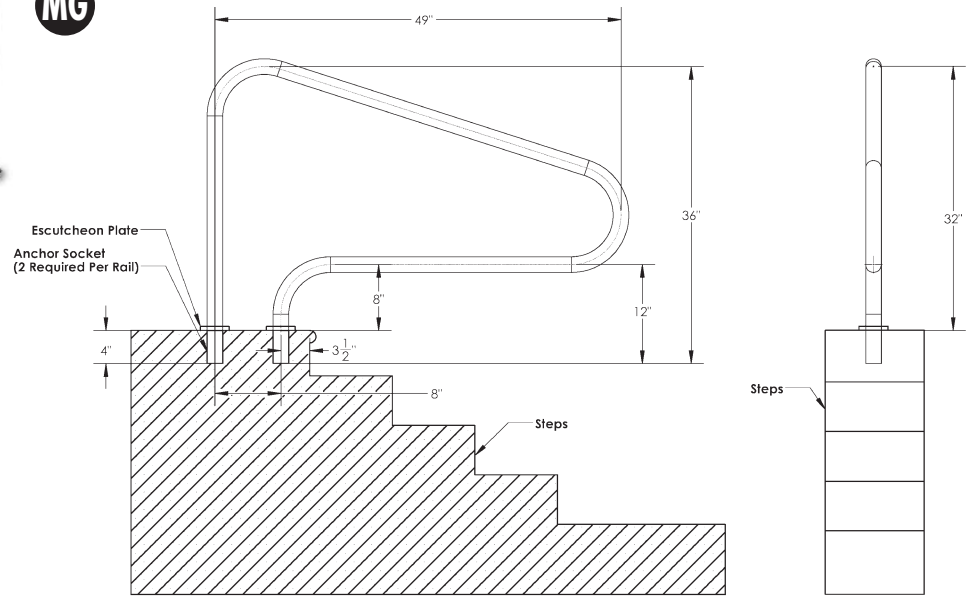


PC  
TP  
MG

Part # D3D50049

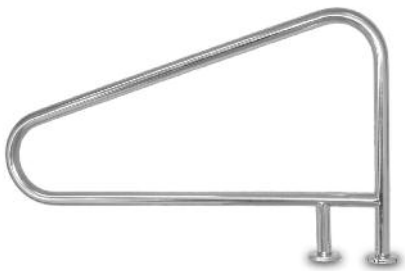
### FEATURES:

- .049" Wall Stainless Steel Construction
- Available in Commercial Grade .065"
- 304 SS and 316L
- 1.90" OD



**NOTE:** Escutcheons sold separately w/SS products; included with powder coated and thermo plastic coated ladders and rails.  
*All measurements on center.* Anchors are not included and recommended.

## STAIR RAILS – 3 BEND – BRACED:

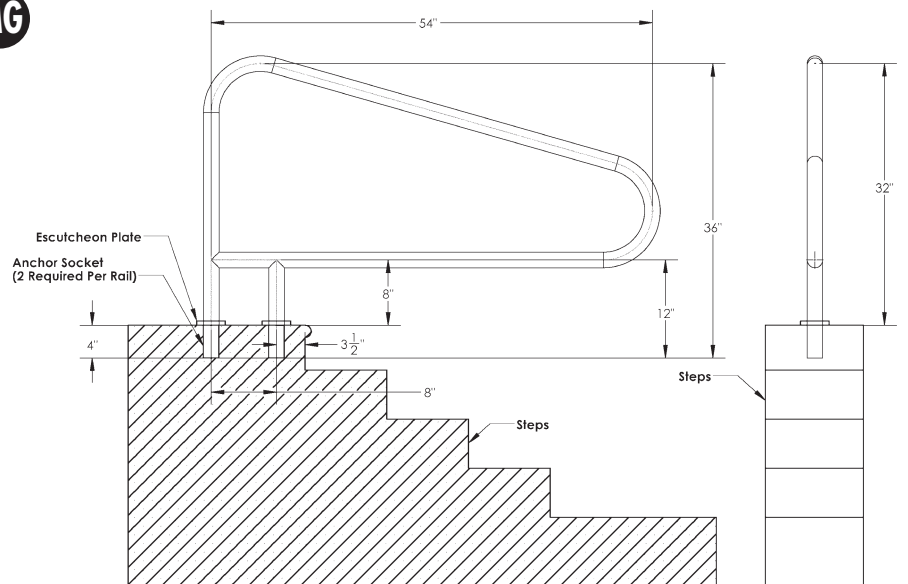


PC  
TP  
MG

Part # D3BD049

### FEATURES:

- .049" Wall Stainless Steel Construction
- Available in Commercial Grade .065"
- 304 SS and 316L
- 1.90" OD



**NOTE:** Escutcheons sold separately w/SS products; included with powder coated and thermo plastic coated ladders and rails.  
*All measurements on center.* Anchors are not included and recommended.